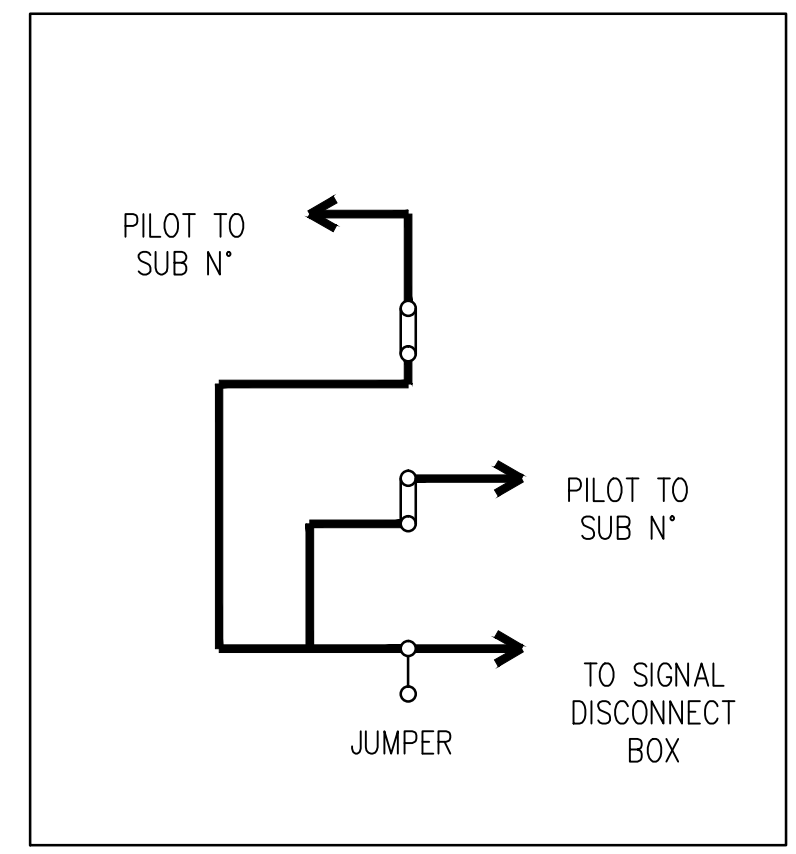
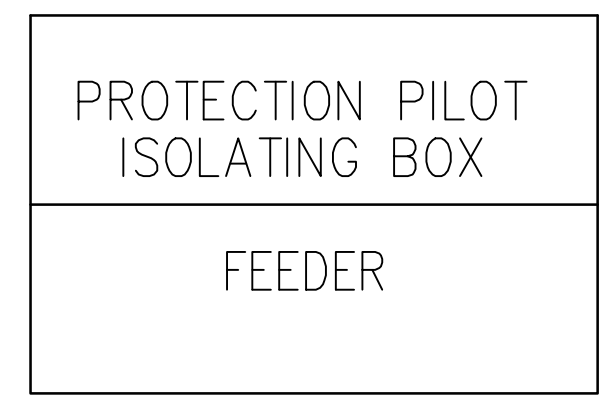


REFERENCE DRAWINGS.	
CITY DISTRIBUTION CENTRE PILOT ISOLATING AND INTERCONNECTOR PILOT BOXES CONNECTION DETAILS.	A1-116004
CITY DISTRIBUTION CENTRE PILOT ISOLATING AND INTERCONNECTOR PILOT BOXES GENERAL ARRANGEMENT.	A1-115065
CITY DISTRIBUTION CENTRE PILOT ISOLATING BOXES ROUTE LABEL No 1 DETAILS.	A3-117305
CITY DISTRIBUTION CENTRE INTERCONNECTOR PILOT BOXES ROUTE LABEL No 2 DETAILS.	A3-117306
CITY DISTRIBUTION CENTRE INTERCONNECTOR PILOT BOXES ROUTE LABEL No 2A DETAILS.	A3-118093
CITY DISTRIBUTION CENTRE INTERCONNECTOR PILOT BOXES ROUTE LABEL No 3 DETAILS.	A3-117307
CITY DISTRIBUTION CENTRE PILOT ISOLATING BOXES ROUTE LABEL No 4 DETAILS.	A3-117308
CITY DISTRIBUTION CENTRE INTERCONNECTOR PILOT BOXES ROUTE LABEL No 5 DETAILS.	A3-117309
CITY DISTRIBUTION CENTRE INTERCONNECTOR PILOT BOXES FEEDER LABEL No 6 DETAILS.	A3-117310
CITY DISTRIBUTION CENTRE PILOT ISOLATING BOXES FEEDER LABEL No 7 DETAILS.	A3-117311

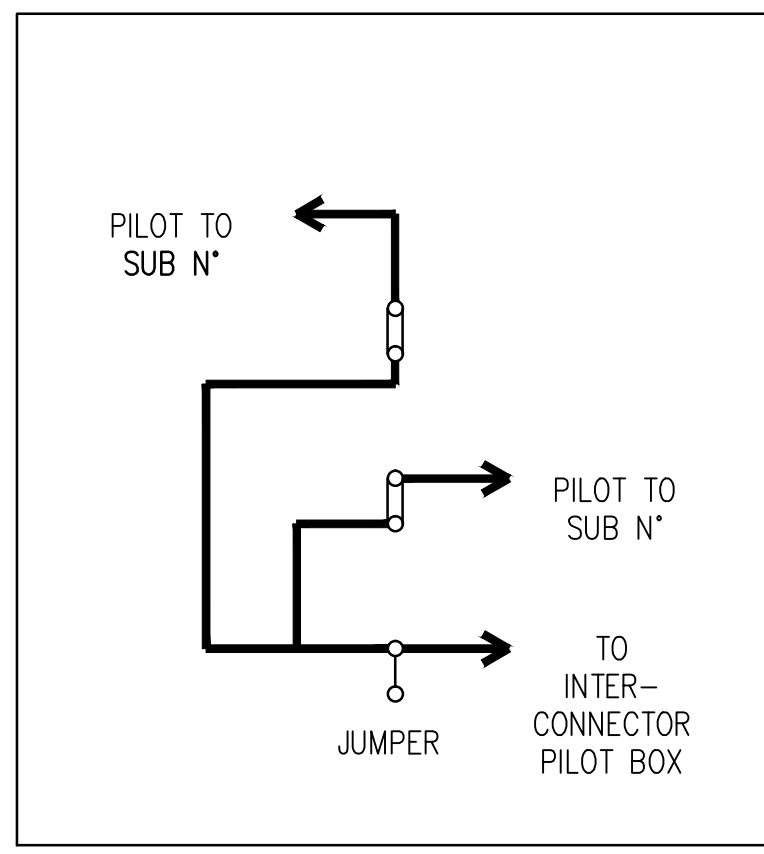


ROUTE LABEL 1

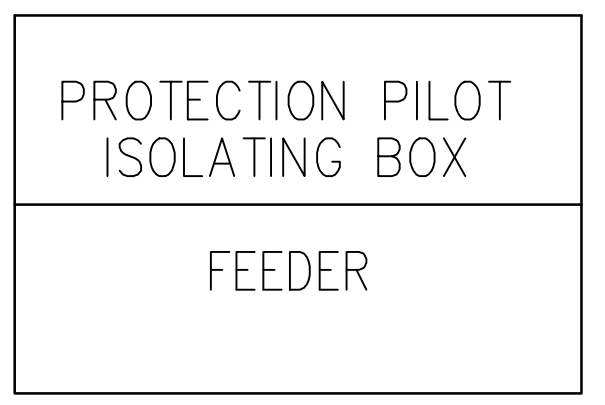


FEEDER LABEL 7

SITUATION 1.

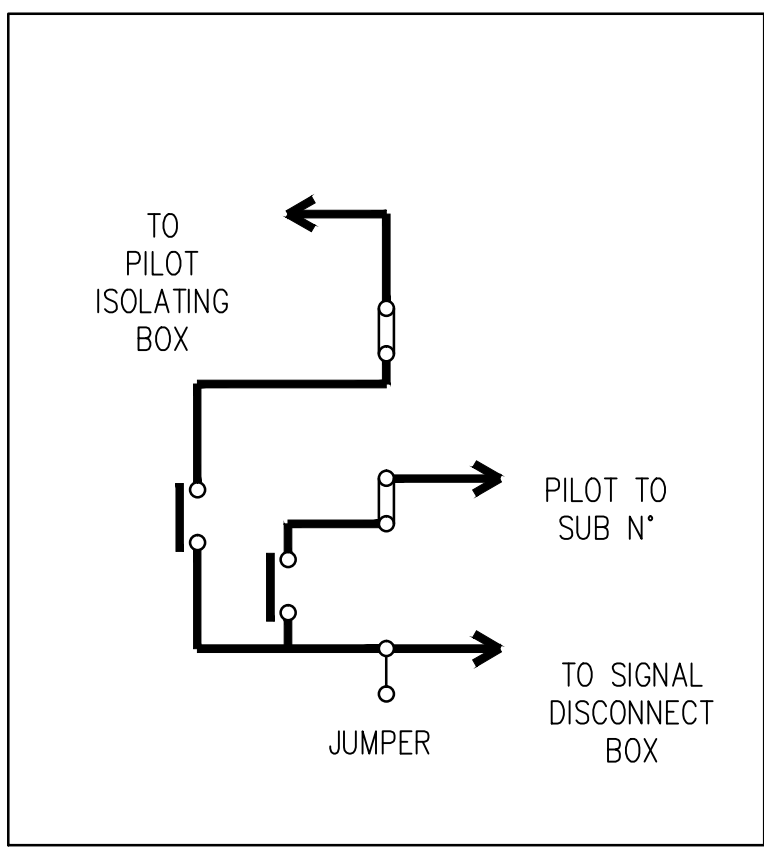


ROUTE LABEL 4

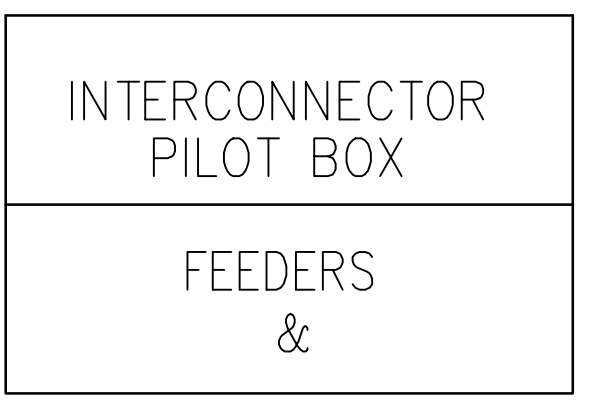


FEEDER LABEL 7

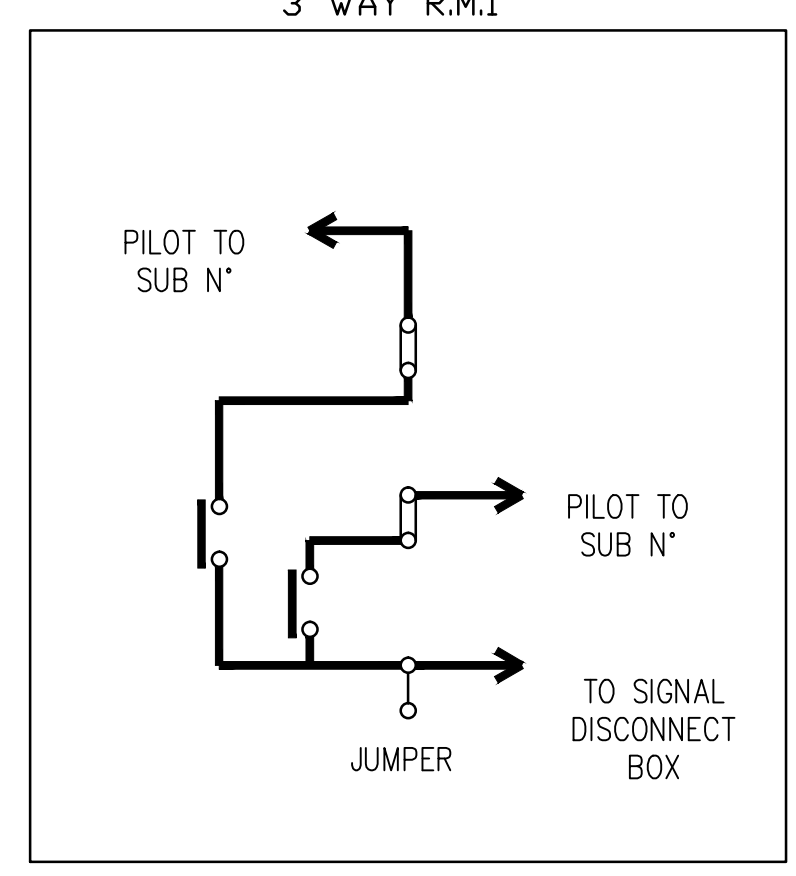
SITUATION 3.



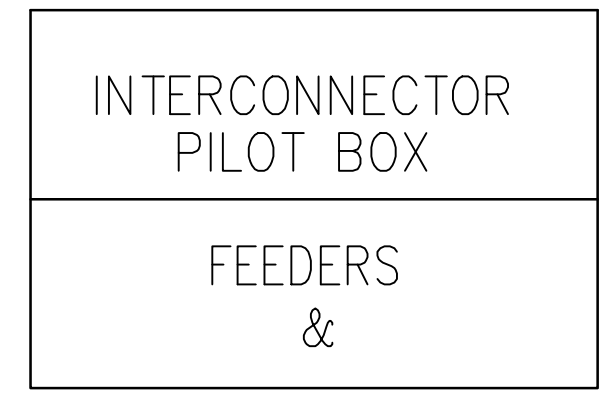
ROUTE LABEL 3



FEEDER LABEL 6

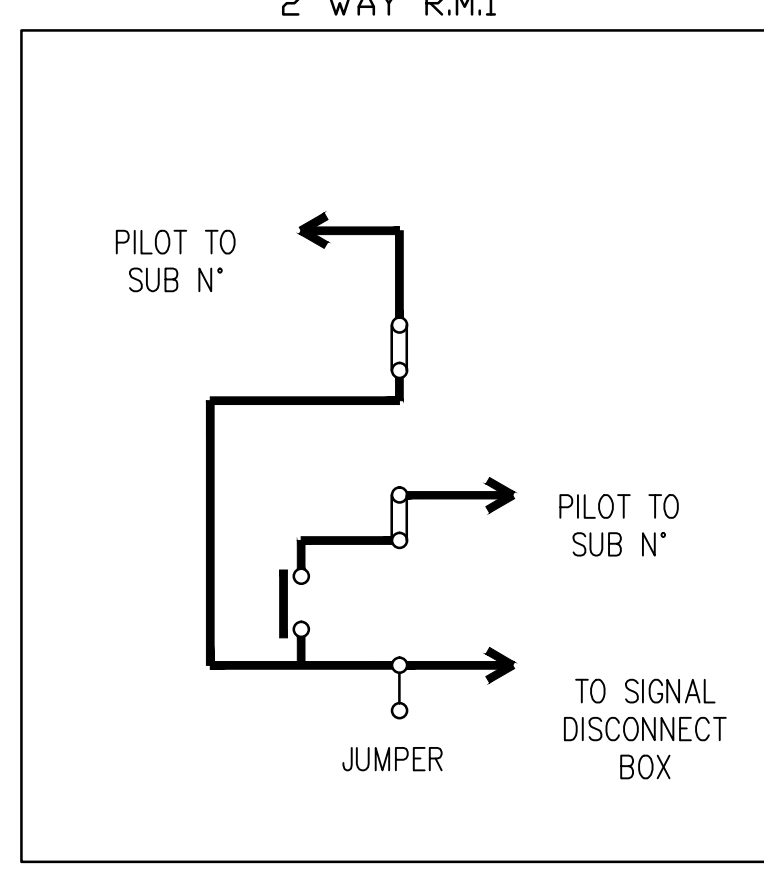


ROUTE LABEL 2

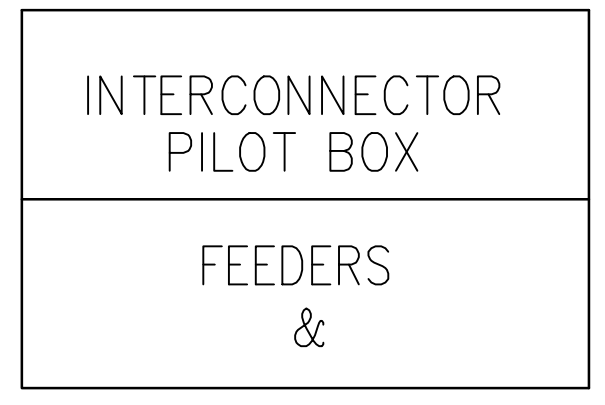


FEEDER LABEL 6

SITUATION 2.

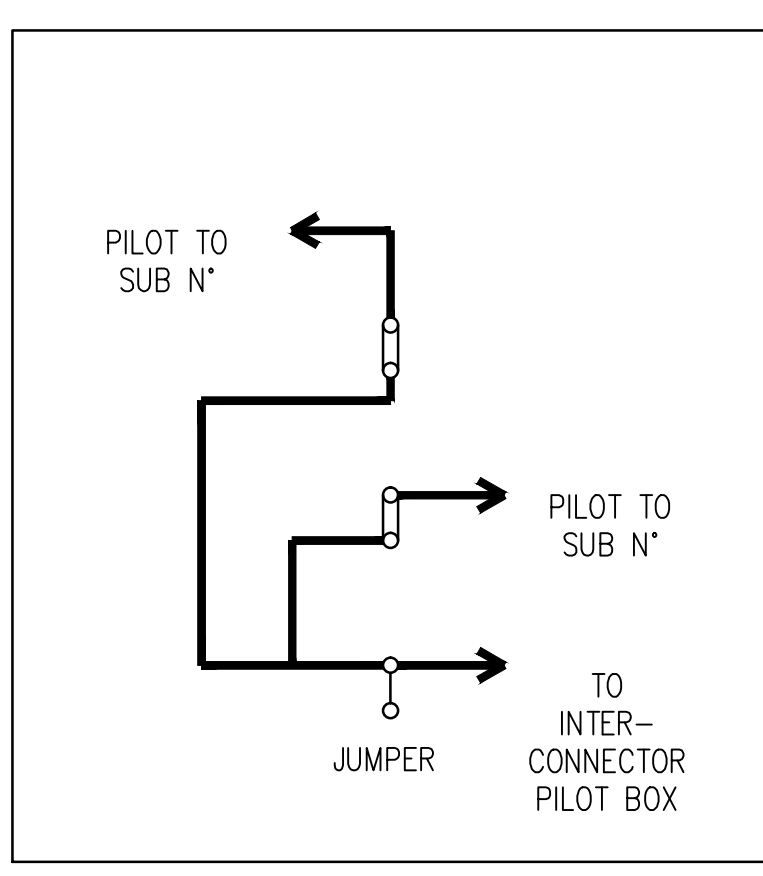


ROUTE LABEL 2A

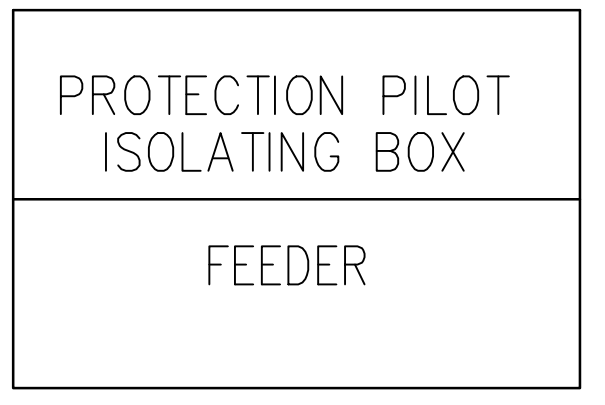


FEEDER LABEL 6

SITUATION 2A.

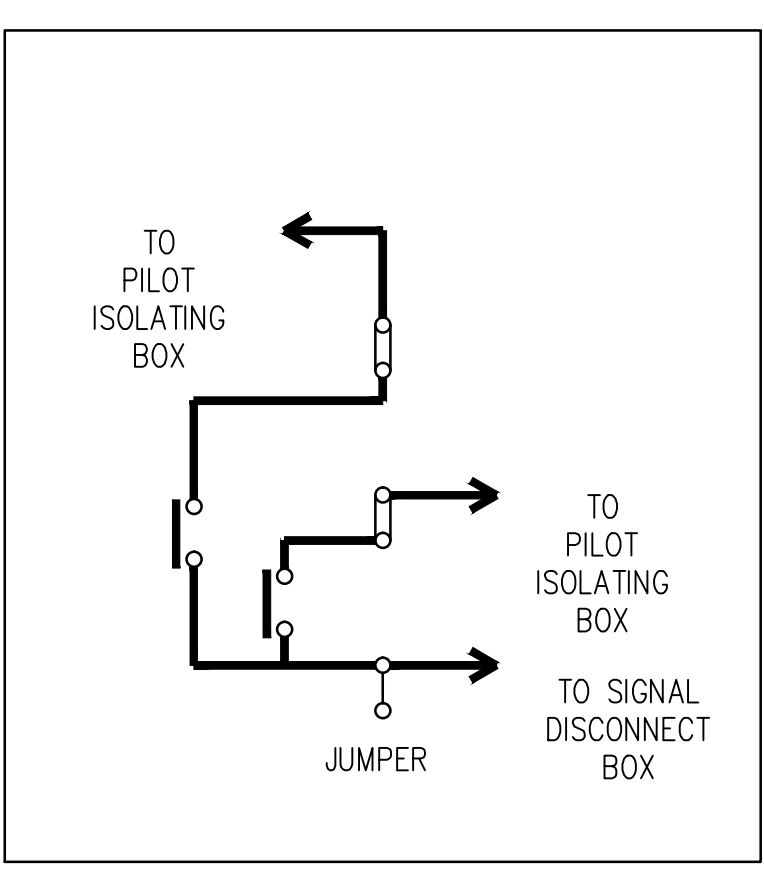


ROUTE LABEL 4

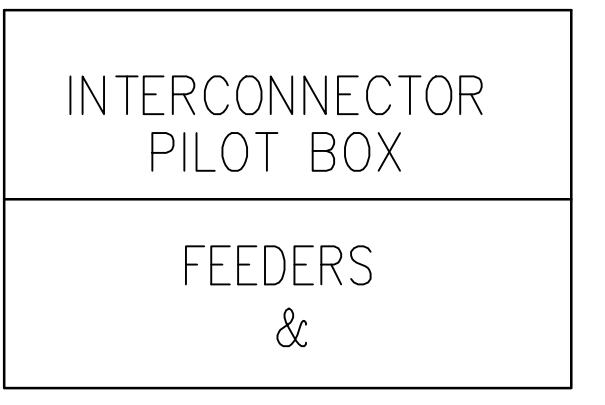


FEEDER LABEL 7

SITUATION 4.



ROUTE LABEL 5



FEEDER LABEL 6

NOTES

- REFER TO DRAWINGS LISTED ABOVE FOR LABEL MASTERS FOR EACH TYPE OF LABEL.
- ROUTE LABELS TO BE FIXED TO INSIDE OF LID OF BOXES. FEEDER LABELS TO BE FIXED TO OUTSIDE OF LID OF BOXES.
- SUBSTATION NUMBERS AND FEEDER DESIGNATIONS TO BE ADDED ON SITE TO SUIT EACH INSTALLATION.

LABEL #	NO OFF PER SUBSTATION							
	#1	#2	#2A	#3	#4	#5	#6	#7
SITUATION NO 4.					6	3	3	6
SITUATION NO 3.				3	3		3	3
SITUATION NO 2A.			3				3	
SITUATION NO 2.		3					3	
SITUATION NO 1.	3							3

CAD DRAWING
DO NOT MANUALLY AMEND
AMENDMENTS
3. DRAWING TRANSLATED FROM CADAM. LABEL 2A ADDED. OZ/RC CHECKED: OZ APPROVED: OZ PN - 22890
4. NEW AUSGRID BORDER & LOGO ADDED. 23-09-2013 R.LAALAA T.LAMPARD APPROVED



SCALE	1:1
DESIGNED	-
DRAWN	AJE
CHECKED	SM
APPROVED	JH
DATE	6.5.87
PRJTRK No.	-
PROJECT NUMBER	22635

CITY DISTRIBUTION CENTRES PILOT ISOLATING BOXES AND INTERCONNECTOR PILOT BOXES LABEL DETAILS			
DRAWING No	115150	SHEET -	AMD 4
SIZE	A1		