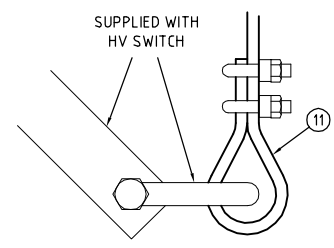
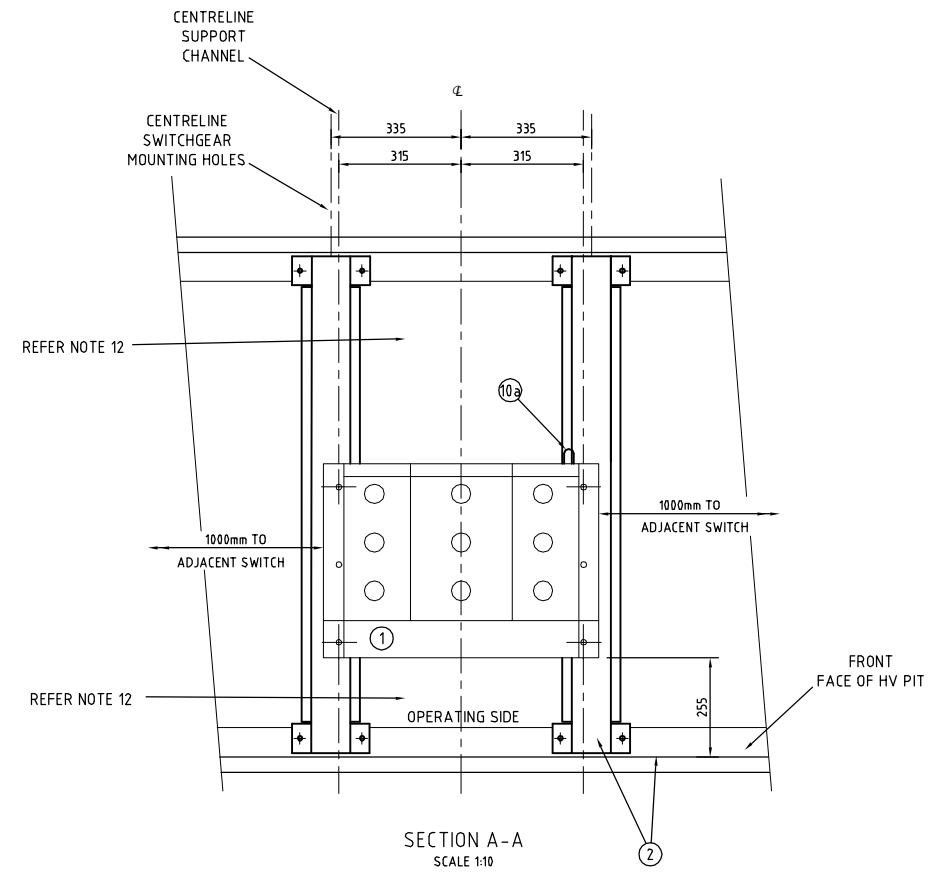


NOTES

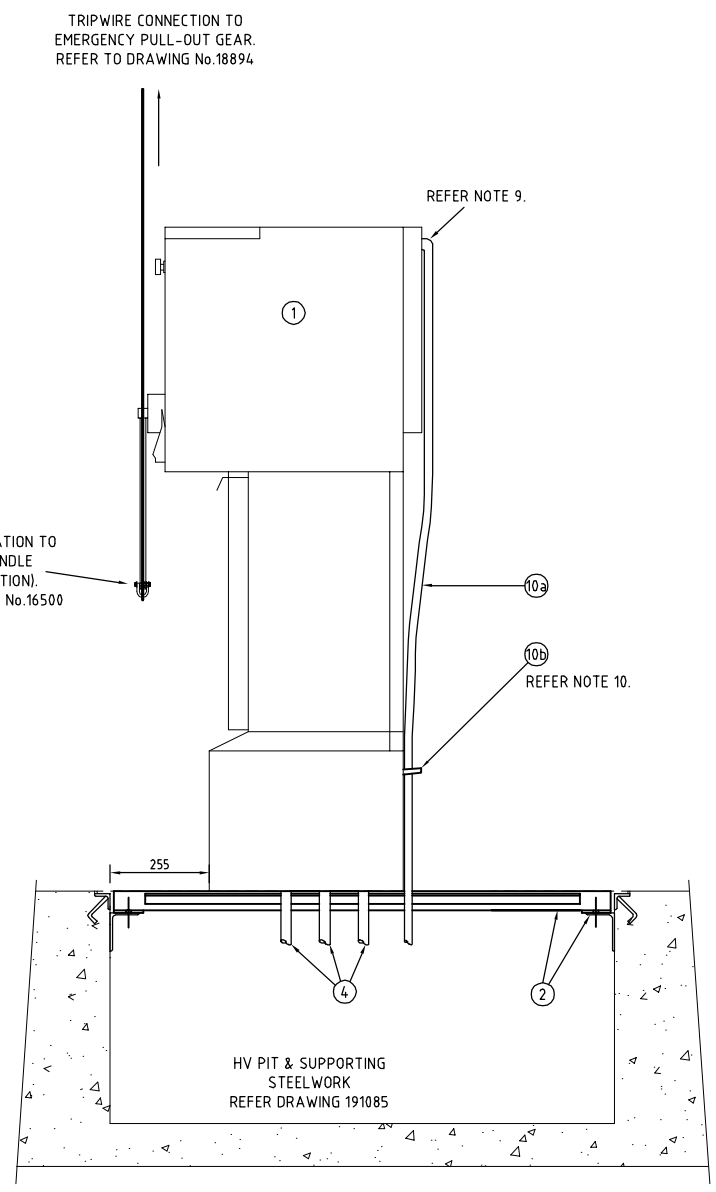
- THIS DRAWING OUTLINES THE WORK REQUIRED TO INSTALL AN ABB SAFELINK I & E OVER THE HV SWITCHGEAR PIT SHOWN ON DRAWING 191085 AND IS TO BE READ IN CONJUNCTION WITH THE SUBSTATION LAYOUT DRAWING AND AUSGRID'S NETWORK STANDARDS.
- THIS DRAWING DOES NOT SHOW CABLE SCREEN EARTHING OR CONNECTION OF THE HV SWITCH TO THE SUBSTATION EARTH BAR. REFER TO NS114 AND NS177 FOR FURTHER INFORMATION.
- THE HV SWITCH IS TO BE MOUNTED ON THE SUPPORTING STEELWORK DETAILED ON DRAWING 191085 TO THE DIMENSIONS SHOWN ON THIS DRAWING.
- THE SPACING OF THE SUPPORTING STEELWORK IS TO BE ADJUSTED TO SUIT THE HV SWITCH.
- THE SUPPORTING STEELWORK IS TO BE DRILLED ON SITE TO SUIT THE HV SWITCH.
- ALL FLEXIBLE CONDUIT AND CABLE GLANDS ARE TO BE GREY 20mm MEDIUM DUTY UV STABILISED TO AS 2053.
- PROTECTION CT'S ARE TO BE MOUNTED ON TRANSFORMER DUE TO LACK OF SPACE AS DETAILED IN SECTION 15.4 OF NS114.
- FLEXIBLE CONDUITS ARE TO BE TERMINATED ON THE HV SWITCH USING SUITABLE GLANDS.
- THE "KNOCK-OUT" PROVIDED ON THE HV SWITCH TO ALLOW CABLE ENTRY TO THE INSTRUMENT COMPARTMENT IS TO BE REMOVED TO ALLOW INDICATION CABLE ENTRY.
- THE FLEXIBLE CONDUIT FOR THE INDICATION CONNECTIONS IS TO BE SUITABLY TIED TO THE HV SWITCH STAND'S CROSS STRAPS AND RUN IN A MANNER WHICH DOES NOT INTERFERE WITH OPERATING OR CREATE A TRIP HAZARD.
- UNISTRUT SUPPORT BRACKETS ARE TO BE ADJUSTED SO THAT HV CABLE REMAINS AS STRAIGHT AS POSSIBLE.
- IF HV SWITCH SETOUT RESULTS IN AN UNCOVERED SPACE BETWEEN THE SWITCH AND THE END OF THE PIT, THE SPACE MUST BE COVERED WITH 6mm FLOOR PLATE. REFER TO DRAWING 191085 FOR FURTHER DETAILS.



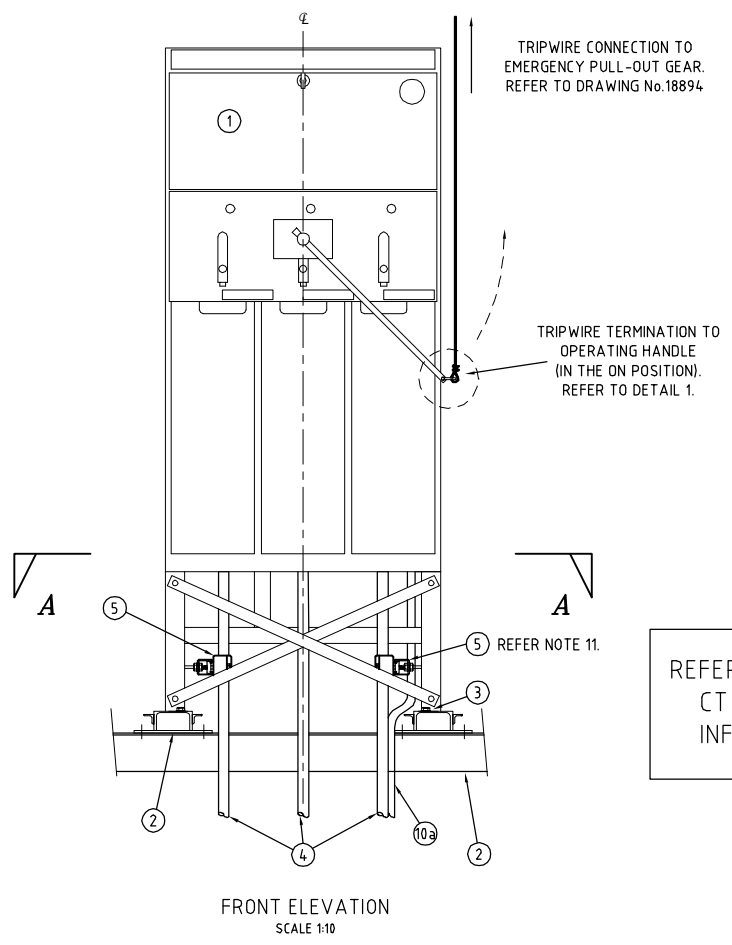
DETAIL 1
TRIPWIRE TERMINATION TO OPERATING HANDLE
SCALE 1:1



SECTION A-A
SCALE 1:10



RIGHT ELEVATION
SCALE 1:10



FRONT ELEVATION
SCALE 1:10

REFERENCE DRAWINGS	
ABB SAFELINK CCC 3 WAY I & E HV SWITCH GENERAL ARRANGEMENT	A3-203372
HV PIT CONSTRUCTION AND SUPPORTING STEELWORK	B1-191085
EMERGENCY PULL-OUT GEAR OPERATING EQUIPMENT TYPICAL ARRANGEMENT	B1-18894
EMERGENCY PULL-OUT GEAR OPERATING EQUIPMENT ARRANGEMENT & DETAILS	B1-16500

MATERIAL LIST			
ITEM No	DESCRIPTION	REMARKS	No. OFF
1	ABB CCC 3WAY I & E SAFELINK		1
2	SUPPORTING STEELWORK	REFER DRAWING 191085	4
3	HOLD DOWN BOLTS	M16 GALVANISED BOLTS, NUTS & WASHERS	4
4	HV CABLES	AS PER DESIGN INFORMATION PACKAGE	9
5	CABLE CLAMPS	AS PER NETWORK STANDARD 177	6
6			
7			
8			
8a			
8b			
8c			
8d			
8e			
8f			
9			1
10a	INDICATION CONNECTIONS FLEXIBLE CONDUIT	REFER NOTE 9.	1
10b	FLEXIBLE CONDUIT CLAMP	REFER NOTE 10.	1
11	TRIPWIRE TERMINATION CABLE	REFER TO DRAWINGS 16500 & 18894	1

CAD DRAWING
DO NOT MANUALLY AMEND
AMENDMENTS
1. NEW DRAWING BORDER
ADDED
HV PIT AND SUPPORTING
STEELWORK AMENDED AS
PER DWG 191085.
PROTECTION CT'S AND
ASSOCIATED EQUIPMENT
REMOVED.
NOTE 7 AMENDED.
CABLE CLAMPS UPDATED TO
NETWORK STANDARD.
NOTES 9, 10 & 11 DELETED.
REMAINING NOTES
RENUMBERED.
P/NE PM02-02010-1-5-1
DATE: 18-04-2009
DRAWN: C. MARBITT
CHECKED: P. JARVIS
APPROVED: P. JARVIS

CONSTRUCTION

NETWORK STANDARD
Ausgrid
DISTRIBUTION OPERATIONS & RELIABILITY
LOGISTICS AND DISTRIBUTION ENGINEERING
25-27 POMEROY STREET, HOMEBSH

SCALE	AS SHOWN
DESIGNED	-
DRAWN	M. COUPLAND
CHECKED	P. JARVIS
APPROVED	M. PEACOCK
DATE	02/04/2009
PROJECT NUMBER	209/1/55/1
PROJTRAK NUMBER	-

CUSTOMER CHAMBER TYPE SUBSTATIONS
INSTALLATION OF ABB SAFELINK
3 WAY I & E SWITCH