

# Network Standard

<b>NETWORK</b>	Document No	: NW000-S0067
	Amendment No	: 1
	Approved By	: Chief Engineer
	Approval Date	: 30/06/2015
	Review Date	: 30/06/2018

*BMS compliance updates 30/01/2017*

**NW000-S0067**

## **NS100 FIELD RECORDING OF NETWORK ASSETS EXTERNAL ANNEXURE C - CABLE CODES & NOMENCLATURE**



## ISSUE

For issue to all Ausgrid and Accredited Service Providers' staff involved with the field recording of network assets, and is for reference by field, technical and engineering staff.

Ausgrid maintains a copy of this and other Network Standards together with updates and amendments on [www.ausgrid.com.au](http://www.ausgrid.com.au).

Where this standard is issued as a controlled document replacing an earlier edition, remove and destroy the superseded document

## DISCLAIMER

As Ausgrid's standards are subject to ongoing review, the information contained in this document may be amended by Ausgrid at any time. It is possible that conflict may exist between standard documents. In this event, the most recent standard shall prevail.

This document has been developed using information available from field and other sources and is suitable for most situations encountered in Ausgrid. Particular conditions, projects or localities may require special or different practices. It is the responsibility of the local manager, supervisor, assured quality contractor and the individuals involved to make sure that a safe system of work is employed and that statutory requirements are met.

Ausgrid disclaims any and all liability to any person or persons for any procedure, process or any other thing done or not done, as a result of this Standard.

All design work, and the associated supply of materials and equipment, must be undertaken in accordance with and consideration of relevant legislative and regulatory requirements, latest revision of Ausgrid's Network Standards and specifications and Australian Standards. Designs submitted shall be declared as fit for purpose. Where the designer wishes to include a variation to a network standard or an alternative material or equipment to that currently approved the designer must obtain authorisation from the Network Standard owner before incorporating a variation to a Network Standard in a design.

External designers including those authorised as Accredited Service Providers will seek approval through the approved process as outlined in NS181 Approval of Materials and Equipment and Network Standard Variations. Seeking approval will ensure Network Standards are appropriately updated and that a consistent interpretation of the legislative framework is employed.

**Notes:** 1. Compliance with this Network Standard does not automatically satisfy the requirements of a Designer Safety Report. The designer must comply with the provisions of the Workplace Health and Safety Regulation 2011 (NSW - Part 6.2 Duties of designer of structure and person who commissions construction work) which requires the designer to provide a written safety report to the person who commissioned the design. This report must be provided to Ausgrid in all instances, including where the design was commissioned by or on behalf of a person who proposes to connect premises to Ausgrid's network, and will form part of the Designer Safety Report which must also be presented to Ausgrid. Further information is provided in Network Standard (NS) 212 Integrated Support Requirements for Ausgrid Network Assets.

2. Where the procedural requirements of this document conflict with contestable project procedures, the contestable project procedures shall take precedent for the whole project or part thereof which is classified as contestable. Any external contact with Ausgrid for contestable works projects is to be made via the Ausgrid officer responsible for facilitating the contestable project. The Contestable Ausgrid officer will liaise with Ausgrid internal departments and specialists as necessary to fulfil the requirements of this standard. All other technical aspects of this document which are not procedural in nature shall apply to contestable works projects.

## INTERPRETATION

In the event that any user of this Standard considers that any of its provisions is uncertain, ambiguous or otherwise in need of interpretation, the user should request Ausgrid to clarify the provision. Ausgrid's interpretation shall then apply as though it was included in the Standard, and is final and binding. No correspondence will be entered into with any person disputing the meaning of the provision published in the Standard or the accuracy of Ausgrid's interpretation.

## KEYPOINTS

This standard has a summary of content labelled "KEYPOINTS FOR THIS STANDARD". The inclusion or omission of items in this summary does not signify any specific importance or criticality to the items described. It is meant to simply provide the reader with a quick assessment of some of the major issues addressed by the standard. To fully appreciate the content and the requirements of the standard it must be read in its entirety.

## AMENDMENTS TO THIS STANDARD

Where there are changes to this standard from the previously approved version, any previous shading is removed and the newly affected paragraphs are shaded with a grey background. Where the document changes exceed 25% of the document content, any grey background in the document is to be removed and the following words should be shown below the title block on the right hand side of the page in bold and italic, for example, Supersedes – document details (for example, "Supersedes Document Type (Category) Document No. Amendment No.").

# 1.0 CABLE NOMENCLATURE

This is what the code letters mean:

415 V	240	AL3	XQ	CU (NW)	Z	/SAC
Voltage Rating	Conductor (Size (mm <sup>2</sup> ))	Conductor Type and No. of Cores	Insulation	Neutral or Screen Wires (if applicable)	Sheath	Other Information (if applicable)

### Before slash/

Phase-to-phase Voltage, Cross-sectional Area (mm<sup>2</sup>), Number of Cores, Insulating and Protecting Layers

<b>AL</b>	Aluminium	<b>MF</b>	Water Swellable Yarns
<b>AW</b>	Alumoweld	<b>MQ</b>	Medium-density Polyethylene
<b>BR</b>	Butyl Rubber	<b>(N)</b>	Concentric Neutral
<b>CDCU</b>	Cadmium Copper	<b>(NW)</b>	Wavewound Concentric Neutral
<b>CM</b>	Cambric	<b>NY</b>	Nylon (termite barrier)
<b>CQ</b>	Cellular Polythene	<b>P</b>	Paper Insulation
<b>CU</b>	Copper	<b>PA</b>	Polyethylene/aluminium Tape Laminate Sheath
<b>CW</b>	Copper Weld	<b>PR</b>	Pair
<b>DB</b>	Double Brass Tape	<b>Q</b>	Polyethylene Insulation
<b>DRT</b>	Double Steel Reinforcing Tape	<b>R</b>	Rubber Insulation
<b>DT</b>	Double Steel Tape Armour	<b>SF</b>	Single Fibre-reinforced Plastic Rod Armour
<b>DW</b>	Double Steel Wire Armour	<b>SL</b>	Single Lead Sheath
<b>E</b>	Thermo Plastic Elastomer	<b>SS</b>	Stainless Steel Sheath
<b>EPR</b>	Ethylene Propylene Rubber	<b>ST</b>	Single Steel Tape Armour
<b>F</b>	Filled Core	<b>SW</b>	Single Steel Wire Armour
<b>FE</b>	Steel	<b>TR</b>	Tough Rubber Insulation
<b>FO</b>	Fibre Optic Equipped (for Distributed Temperature Sensing)	<b>TRXQ</b>	Tree Retardant Cross-linked Polyethylene
<b>G</b>	Semiconductive Screen	<b>(TS)</b>	Taped Screen
<b>H</b>	Hochstadter Screen	<b>(WS)</b>	Stranded Wire Screen
<b>J</b>	Jute or Hessian Sheath	<b>XQ</b>	Cross-linked Polyethylene
<b>L</b>	Lead Sheath	<b>YQ</b>	High-density Polyethylene
<b>MB</b>	Moisture Barrier	<b>Z</b>	Polyvinyl Chloride(PVC)

### After slash/

<b>SAC</b>	Solid Aluminium Conductor	<b>ISC</b>	Individually Screen Cores
<b>TX</b>	Triplex	<b>COM</b>	Compacted Conductor
<b>LDS</b>	Light Duty Individual Screen	<b>HDS</b>	High Duty Individual Screen
<b>ZFR</b>	Fire Retardant PVC		

Examples:

**415V 240 AL3 XQ CU(NW) Z/SAC**

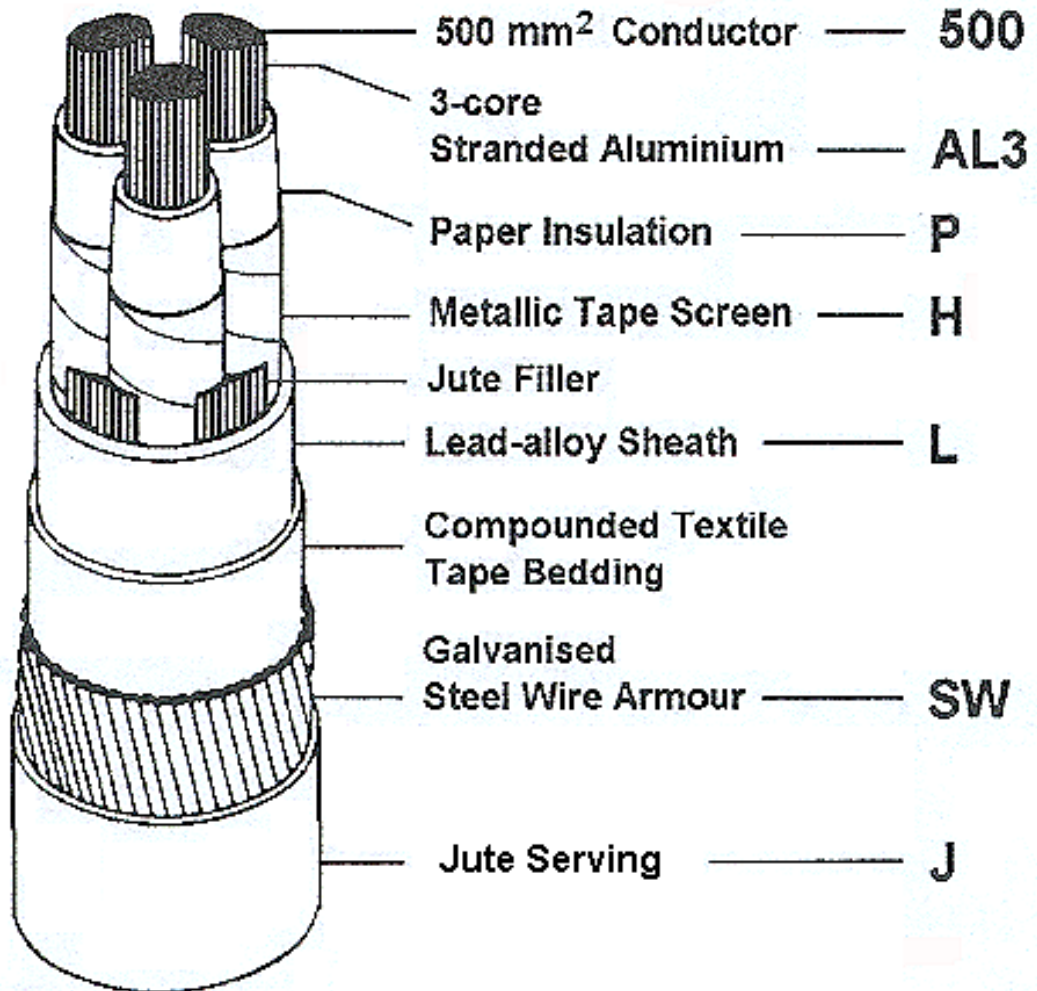
415 volts phase-to-phase, 240 mm<sup>2</sup> 3-core solid aluminium conductors, cross-linked polyethylene insulation, copper wavewound concentric neutral, PVC sheath (cable code 2166 - see Annexure D).

**415V 240 AL4 XQ Z/SAC**

415 volts phase-to-phase, 240 mm<sup>2</sup> 4-core solid aluminium conductors, cross-linked polyethylene insulation, PVC sheath (cable code 2257 – see Appendix D).

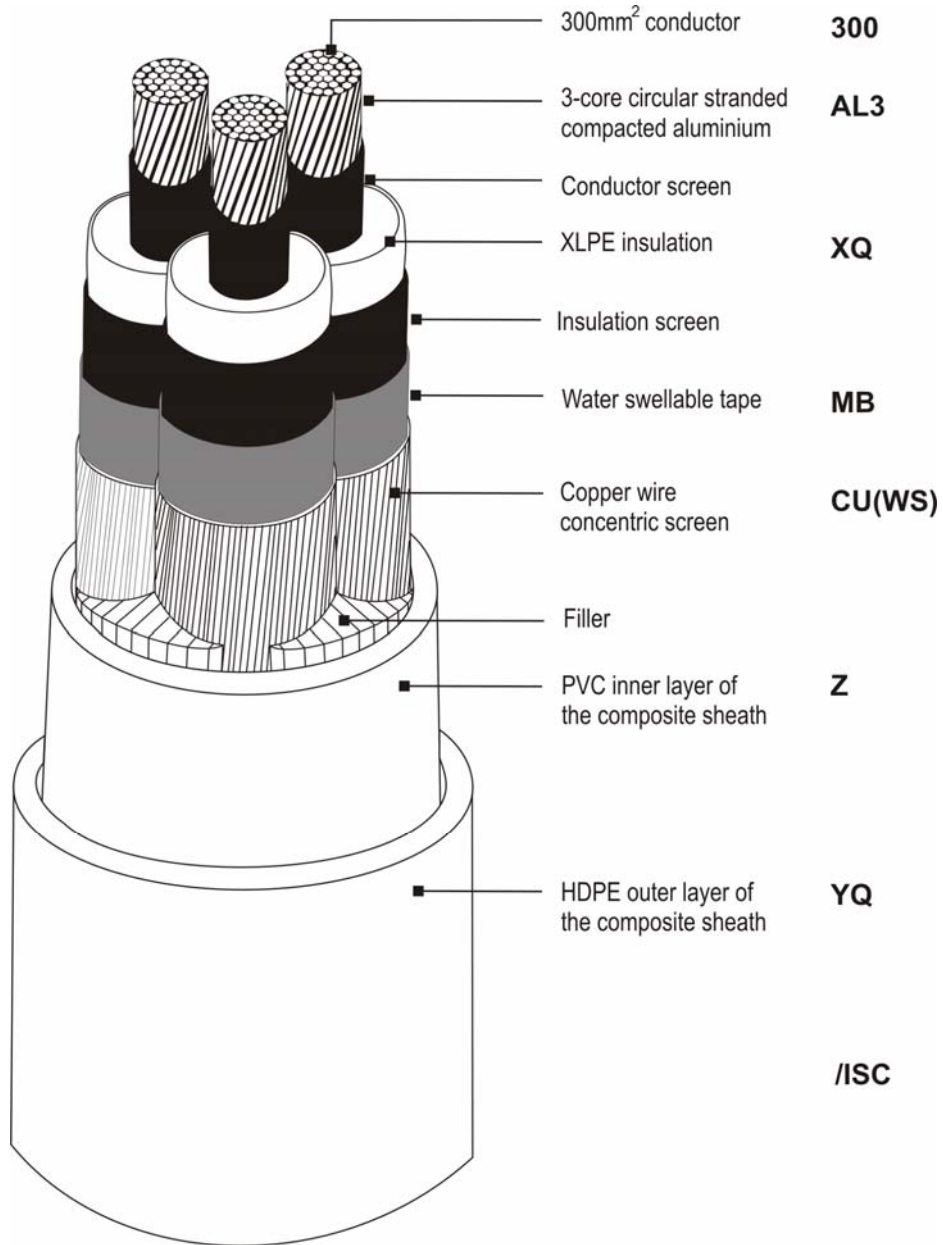
**11kV 500 AL3 P H L SW J**

11 kV phase-to-phase, 500mm<sup>2</sup> 3-core stranded aluminium conductors, paper insulated, screened, lead alloy sheathed, single wire armoured, jute sheathed (cable code 351 – see Annexure D).



**11kV 300 AL3 XQ MB CU(WS) Z YQ /ISC**

11 kV phase-to-phase, 300mm<sup>2</sup> 3-core circular stranded compacted aluminium conductors, XLPE insulated, water swellable tape, stranded copper wire concentric screen (individually screened cores), PVC / HDPE composite sheath (cable code 12056 – see Annexure D).



## 2.0 CONDUCTOR CODES

Code	Known As	Old Description	Short Description
0	NOT APPLICABLE	n/a	NA
1	5KV 32 CU3 P L SW J	.05 SA	NO SHORT DESC
3	415V 185 CU1 XQ Z / 3 CABLES + 120 CU1 Z Z / NEUT		3x185 + 120 N
5	5KV 32 CU3 P L	.05 LC	NO SHORT DESC
6	240V 35 AL1 Z Z		35 AL1
7	5KV 39 CU3 P L	.06 LC	NO SHORT DESC
9	11KV 77 AAAC6 XQ YQ / CCT80	7/3.75 AAAC6 XQ YQ/CCT80	2xCCT80
10	5KV 65 CU3 P L	.1 LC	NO SHORT DESC
11	415V 35 CU4 XQ Z		35
12	415V 185 CU1 XQ Z / #COLOUR / 2 COND/PH / +NEUTRAL		7x185
13	42 ACSR/GZ2	6/1/3.00 ACSR/GZ2	APPLE
14	11KV 300 CU1 EPR 70 CU(WS) Z YQ / 3 CABLES / #EA1370T00		300
15	5KV 97 CU3 P L SW J	.15 SA	97 CU3
17	42 ACSR/GZ3	6/1/3.00 ACSR/GZ3	APPLE
19	42 ACSR/GZ4	6/1/3.00 ACSR/GZ4	APPLE
20	5KV 97 CU3 P L	.15 LC	NO SHORT DESC
21	5KV 97 CU3 P L DT J	.15 CU3 PL DTJ	NO SHORT DESC
22	11KV 240 CU3 P L Z		240
23	22 HDCU6 + 40 HDCU1		6x22 + 1x40
24	11KV 48 CU3 P L ST J	.075 CU3 PL STJ	NO SHORT DESC
25	5KV 48 CU6 P L SW J	.15 SA SPC	NO SHORT DESC
26	9.9 SM60 NYT F RC L Z BRT DW YQ / OPTIC / #8194T/06	BOTANY BAY CROSSING PILOT CABLE	OPTIC/60F
27	11KV 194 CU1 P H L Z / 2 CABLE + 185 CU1 P H L YQ / 1 CABLE		2x194 + 1x185
28	83.15 AL14 + 51.34 ACSR/AC6 / 24F /OPGW / #83T124COR		OPGW/24F
29	415V 323 AL1 Q Z / X 2 + 185 CU1 XQ Z + 194 AL1 Q Z / NEUT		2x323 AL+1x185+194 AL(N)
30	5KV 48 CU6 P L	.15 LC SPC	NO SHORT DESC
31	415V 6 HDCU1 Z	1x7/1.04 PVC	6 PVC1
32	415V 7 HDCU1 Z	1x7/.044 PVC	7 PVC1
33	415V 15 HDCU1 Z	1x7/.064 PVC	15 PVC1
34	415V 16 HDCU1 Z	1x7/1.7 PVC	16 PVC1
35	5KV 161 CU3 P L	.25 LC	NO SHORT DESC
37	11KV 70 CU1 EPR CU(WS) YQ / 2 CABLE / 70DEG		2x70
38	415V 120 CU4 P L Z / 2 CABLE		8x120
39	415V 240 CU4 XQ Z		240
40	5KV 194 CU3 P L SW J	.3 SA	NO SHORT DESC
41	5KV 194 CU3 P L DW J	.3 DWAS	NO SHORT DESC
42	11KV 240 CU3 EPR LLDQ	11KV 240 CU3 EPR LLDQ	NA
44	42 ACSR/GZ1	6/1/3.00 ACSR/GZ1	APPLE
45	5KV 194 CU3 P L	.3 LC	NO SHORT DESC
46	132KV 1200 CU1 G XQ G CAS Z YQ / #8194/06A	BOTANY BAY CROSSING LAND	1200

Code	Known As	Old Description	Short Description
		CABLE	
47	9.9 SM4 + 62.5 GI4 Z MB MQ NY YQ / OPTIC	4 + 4 OPTICAL FIBRE CABLE	NO SHORT DESC
48	29 ACSR/GZ1	6/1/2.5 ACSR	ALMOND
49	105 ACSR/GZ1	6/4.75 - 7/1.6 ACSR	CHERRY
50	5KV 194 CU3 P L J	.3 JC	NO SHORT DESC
51	18 ACSR/GZ1	3/4/2.5 ACSR	RAISIN
52	29 ACSR/GZ2	6/1/2.5 ACSR	ALMOND
53	29 ACSR/GZ3	6/1/2.5 ACSR	ALMOND
54	29 ACSR/GZ4	6/1/2.5 ACSR	ALMOND
55	5KV 97 CU6 P L SW J	.3 SA SPC	NO SHORT DESC
56	105 ACSR/GZ2	6/4.75 - 7/1.6 ACSR	CHERRY
57	105 ACSR/GZ3	6/4.75 - 7/1.6 ACSR	CHERRY
58	105 ACSR/GZ4	6/4.75 - 7/1.6 ACSR	CHERRY
59	18 ACSR/GZ2	3/4/2.5 ACSR	RAISIN
60	5KV 97 CU6 P L	.3 LC SPC	NO SHORT DESC
61	18 ACSR/GZ3	3/4/2.5 ACSR	RAISIN
62	5KV 97 CU6 P L SW J / C	.3 SA SPC CONC	NO SHORT DESC
63	5KV 129 CU3 P L	.2 3C LC	NO SHORT DESC
65	5KV 194 CU3 P L / C	.3 LC CONC.	NO SHORT DESC
66	105 ACSR/GZ3	6/.186-7/.062 ACSR/GZ3	DOG
67	105 ACSR/GZ4	6/.186-7/.062 ACSR/GZ4	DOG
69	106 AAC2	7/.173 AL	WASP
70	5KV 639 CU1 / UNIT RES	.99 UNIT RESISTANCE	NO SHORT DESC
71	5KV 639 CU1 / UNIT REACT	.99 UNIT RESISTANCE	NO SHORT DESC
72	106 AAC4	7/.173 AL	WASP
73	114 HDCU3	19/.109 HDCU3	114
74	114 HDCU4	19/.109 HDCU4	114
75	6.6KV 26 CU3 P L SW J	.04 SA	NO SHORT DESC
76	6.6KV 26 CU3 P L SW J / M	.04 SA (SUB)	NO SHORT DESC
77	119 AAAC2	7/.183 AAC	OAK
78	119 AAAC3	7/.183 AAAC	OAK
79	119 AAAC4	7/.183 AAC	OAK
80	6.6KV 39 CU3 P L SW J	.06 SA	NO SHORT DESC
81	129 HDCU3	37/.083 HDCU3	129
82	130 HDCU3 / 2 COND/PH	19/.116 HDCU3 BUND	130 BUND
83	130 HDCU4	19/.116 HDCU4	130
84	14 ACSR/GZ2	3/4/.093 ACSR/GZ2	BUDGERIGAR
85	6.6KV 39 CU3 P L	.06 LC	NO SHORT DESC
86	14 ACSR/GZ3	3/4/.093 ACSR/GZ3	BUDGERIGAR
87	144 ACSR/GZ3	30/7/2.50 ACSR/GZ3	GRAPE
88	6.6KV 65 CU3 P L SW J	.1 SA	NO SHORT DESC
89	150 AAC3 XQ YQ / ABC	150 SQ MM AL	3x150AL
90	6.6KV 81 CU3 P L	.125 LC	NO SHORT DESC

Code	Known As	Old Description	Short Description
91	158 ACSR/GZ3	30/7/.102 ACSR/GZ3	WOLF
92	6.6KV 129 CU3 P L ST J	.2 CU3 PL STJ	NO SHORT DESC
93	34 AAAC3	7/2.5 AAAC	CHLORINE
94	6.6KV 97 CU3 P L DW J	.15 CU3 PL DWJ	NO SHORT DESC
95	6.6KV 97 CU3 P L SW J	.15 SA	NO SHORT DESC
96	6.6KV 97 CU3 P L SW J / M	.15 SA (SUB)	NO SHORT DESC
97	6.6KV 226 CU3 P L SW J	.35 SA	NO SHORT DESC
98	34 AAAC2	7/2.5 AAAC	CHLORINE
99	6.6KV 258 CU3 P L SW J	.4 SA	NO SHORT DESC
100	36 AAAC4	7/2.5 AAAC	CHLORINE
101	11KV 15 CU3 P L SW J	.0225 CU3 SA	NO SHORT DESC
102	11KV 15 CU3 P L SW Z	.0225 CU3 SA PVC	NO SHORT DESC
103	11KV 15 CU3 XQ H Z / CAT	.0225 CU3 PVC/CAT	NO SHORT DESC
104	11KV 97 CU3 R L SW J	.15 CU3 RL SWJ	NO SHORT DESC
105	11KV 300 AL1 XQ CU(WS) YQ / TX / 3 CABLES		3x300 AL1
106	408 AAC3	37/3.75 AAC	TRITON
107	337 AAC3	19/4.75 AAC3	TAURUS
108	214 AAC3 / 2 COND/PH	19/.149 AAC3 BUND	CHAFER 214 AL BUND
109	210 AAC2	19/3.75 AAC2	PLUTO
110	11KV 16 CU1 XQ CU(WS) H Z	16 CU PVC SING SCR	NO SHORT DESC
111	11KV 300 CU 1 TRXQ 70 CU(WS) Z YQ / TX / EA1400/10B		300 CU1
112	240V 4.6 CU1 Z Z CU(N)	7/0.36	4.6
113	11KV 23 CU3 XQ H Z / CAT	.035 (7/.083) CU3 PVC/CAT (COTTAGE LOAF)	NO SHORT DESC
114	132KV 1600 CU1 G XQ G L CU(WS) Q SW YQ / M / #	BOTANY BAY CROSSING SUBMARINE CABLE	1600 CU1
115	11KV 26 CU3 P L SW J	.04 SA	NO SHORT DESC
116	240V 4 CU2 P L ST J		4
117	11KV 26 CU3 P L	.04 LC	NO SHORT DESC
118	42 ACSR/GZ3	6/1/.118 ACSR/GZ3	FERRET
119	42 ACSR/GZ4	6/1/.118 ACSR/GZ4	FERRET
120	11KV 26 CU1 P L	.04 LC SING	NO SHORT DESC
121	6 ACSR/GZ3	3/4/.0661 ACSR/GZ3	BANTAM
122	6 ACSR/GZ2	3/4/.0661 ACSR/GZ2	BANTAM
123	63 ACSR/GZ3	6/1/.144 ACSR/GZ3	MINK
124	63 ACSR/GZ2	6/1/.144 ACSR/GZ2	MINK
125	11KV 32 CU3 P L SW J	.05 SA	NO SHORT DESC
126	63 ACSR/GZ4	6/1/.144 ACSR/GZ4	MINK
127	11KV 32 CU3 P L DW J	.05 DSA	NO SHORT DESC
128	11KV 35 AL1 XQ CU(WS) Z	35 AL SING SCR PVC	NO SHORT DESC
129	65 ACSR/GZ2	6/1/3.75 ACSR/GZ2	BANANA
130	11KV 32 CU1 P L	.05 LC SING	NO SHORT DESC
131	65 ACSR/GZ4	6/1/3.75 ACSR/GZ4	BANANA
132	7 ACSR/GZ3	3/4/1.75 ACSR/GZ3	QUINCE



Code	Known As	Old Description	Short Description
133	7 ACSR/GZ2	3/4/1.75 ACSR/GZ2	QUINCE
134	17 ACSR/GZ2	6/1/.074 ACSR/GZ2	THRUSH
135	11KV 32 CU3 P L	.05 LC	NO SHORT DESC
136	11KV 32 CU3 P H L	.05 LC SCR	NO SHORT DESC
137	11KV 32 CU3 P L DT J	.05 DT	NO SHORT DESC
138	17 ACSR/GZ3	6/1/.074 ACSR/GZ3	THRUSH
139	26 ACSR/GZ3	6/1/.093 ACSR/GZ3	GOPHER
140	11KV 39 CU1 P H L Z	.06 PILC/PVC SCR	NO SHORT DESC
141	11KV 50 CU1 P H L Z	50 PILC/PVC SCR	NO SHORT DESC
142	26 ACSR/GZ2	6/1/.093 ACSR/GZ2	GOPHER
143	11KV 50 CU3 P H L DB SW Z / M	50 CU3 SA PVC/M	NO SHORT DESC
144	26 ACSR/GZ4	6/1/.093 ACSR/GZ4	GOPHER
145	11KV 39 CU1 P H L	.06 LC SING	NO SHORT DESC
146	42 ACSR/GZ2	6/1/.118 ACSR/GZ2	FERRET
147	415V 50 CU1 XQ Z / 4 CABLE	n/a	50
148	11KV 39 AL3 P L SW Z	.06 AL3 LC SA PVC	NO SHORT DESC
149	11KV 39 AL3 P L DB SW J / M	.06 AL3 PL DB SWJ/M	NO SHORT DESC
150	415V 185 CU3 + 95 CU1 P L SW J		185 + 95
151	11KV 65 CU3 P L DW J / M	19/.083 CU3 PLY SDS SUB	NO SHORT DESC
152	11KV 39 CU3 P L DW J	.06 DW	NO SHORT DESC
153	11KV 39 CU3 P L DT J	.06 DT	NO SHORT DESC
154	11KV 39 CU3 P L SW Z	.06 CU3 LC SA PVC	NO SHORT DESC
155	11KV 39 CU3 P L	.06 LC	NO SHORT DESC
156	11KV 39 CU3 P L SW J	.06 SA	NO SHORT DESC
157	11KV 65 AL3 P L SW J	.1 AL3 SA	NO SHORT DESC
158	11KV 70 AL3 P L SW Z	70 AL3 SA PVC	NO SHORT DESC
159	11KV 65 AL3 P L SW Z	.1 AL3 SA PVC	NO SHORT DESC
160	11KV 65 CU3 P L SW J	.1 SA	NO SHORT DESC
161	11KV 65 CU3 P L DB SW J / M	.1 CU3 SA/M	NO SHORT DESC
162	11KV 70 CU3 P H L Z	70 CU3 PVC	NO SHORT DESC
163	11KV 70 CU3 P L SW J	70 CU3 SA	70 CU3
164	11KV 65 CU1 P L Z	.1 CU1 PVC	NO SHORT DESC
165	11KV 65 CU3 P L	.1 LC	NO SHORT DESC
166	11KV 65 CU1 XQ H Z	.1 CU1 XL PE	NO SHORT DESC
167	324 ACSR/GZ3	30/7/.146 ACSR/GZ3	GOAT
168	11KV 97 CU3 P L DT J	.15 DTAS	NO SHORT DESC
169	11KV 97 CU3 P L DW J	.15 DW	NO SHORT DESC
170	11KV 97 CU3 P L SW J	.15 SA	NO SHORT DESC
171	11KV 97 CU3 P L SW J / M	.15 SA (SUB)	NO SHORT DESC
172	11KV 97 CU3 P L Z	.15 PILC PVC	NO SHORT DESC
173	11KV 97 CU3 P H L Z	.15 PILC PVC SCR	NO SHORT DESC
174	11KV 95 CU3 P H L Z	95 PILC PVC SCR	NO SHORT DESC
175	11KV 97 CU3 P L	.15 LC	NO SHORT DESC

Code	Known As	Old Description	Short Description
176	11KV 97 CU3 P H L	.15 LC SCR	NO SHORT DESC
177	11KV 95 CU3 P H L	95 LC SCR	NO SHORT DESC
178	11KV 97 AL3 P AL Z	.15 AL PIAC PVC	NO SHORT DESC
179	11KV 97 CU3 P H L SW Z	.15 CU3 PHL SWZ	NO SHORT DESC
180	11KV 97 CU3 P L J	.15 JC	NO SHORT DESC
181	11KV 95 CU3 P L SW J	95 CU3 PL SWJ	NO SHORT DESC
182	11KV 95 CU3 XQ H Z	95 CU3 XL PE	NO SHORT DESC
183	11KV 95 CU3 P H L DB DW Z / M	95 CU3 PHL DB DWZ/M	NO SHORT DESC
184	77.05 AL11+29.8 ACSR/AC8 / 60F / OPGW / #6261T/02		OPGW/60F
185	11KV 97 CU1 P H L Z	.15 PVC SING PILC/PVC SCR	NO SHORT DESC
186	11KV 95 CU1 P H L Z	95 PVC SING PILC/PVC SCR	NO SHORT DESC
187	415V 300 CU1 P L / 3 CABLES + 185 AL1 Q Z		3x300 + 185AL
189	11KV 1000 CU 1 G TRXQ G 120 CU(WS) Z YQ / 7328/04		1000
190	11KV 97 CU1 P L	.15 LC SING	NO SHORT DESC
191	11KV 97 CU1 P H L	.15 LC SING SCR	NO SHORT DESC
192	11KV 97 CU1 P L Z	.15 CU SC PILC/PVC	NO SHORT DESC
193	11KV 129 CU1 P H L SW J		129
194	11KV 97 CU3 P L DW J / M	.15 3C CU PLY SDS/M	NO SHORT DESC
195	11KV 97 AL3 P L SW J	.15 AL SA	NO SHORT DESC
196	11KV 95 AL3 P H L DB DW Z / M	95 3C AL LC PVC SUB	NO SHORT DESC
197	11KV 185 CU 1 EPR 70 CU(WS) Z YQ / TX / EA1400/10A		
199	11KV 48 CU6 P L	.15 LC SPC	NO SHORT DESC
200	11KV 48 CU6 P L SW J	.15 SA SPC	NO SHORT DESC
201	11KV 97 AL3 P H AL Z	.15 AL PVC	NO SHORT DESC
202	11KV 95 AL3 P H AL Z	95 AL PVC	NO SHORT DESC
203	11KV 95 AL3 P H L SW J	95 AL PILC/MIND SWA/PVC	NO SHORT DESC
204	11KV 150 CU3 P L DB DW J / M	150 CU3 PLY BT SDS/M	NO SHORT DESC
205	11KV 129 CU3 P L SW J	.2 SA	NO SHORT DESC
206	11KV 129 AL3 P L SW Z	.2 AL3 SA PVC	NO SHORT DESC
207	11KV 129 AL3 P AL Z	.2 AL3 PALZ	NO SHORT DESC
208	11KV 129 AL3 P H L Z	.2 AL3 PHLZ	NO SHORT DESC
209	11KV 129 CU1 P H L Z	.2 SC CU PHLZ	NO SHORT DESC
210	11KV 129 CU3 P L	.2 LC	NO SHORT DESC
211	11KV 120 AL3 P L SW Z	120 AL3 SA PVC	NO SHORT DESC
212	11KV 129 AL3 P L SW J	.2 AL3 PL SWJ	NO SHORT DESC
213	77.75 AAAC 11 + 30.1 ACSR/AC 8 / 48F / OPGW / #7788T/05		OPGW/48F
215	11KV 161 CU1 P L Z	.2 PVC SING	NO SHORT DESC
216	11KV 95 AL3 P H L YQ	95 AL3 PHL YQ	NO SHORT DESC
217	132KV 800 CU1 G XQ G CU(WS) MB FO PA MQ YQ / #1265/00	FDRS.90P/3 &9S6/3	800
218	90.5 AAAC 12 + 40.8 ACSR/AC 8 / 60F / OPGW / #7788T/05		OPGW/60F
219	506 AAC2		URANUS - 61/3.25 AAC
220	11KV 161 CU1 P L	.25 LC SING	NO SHORT DESC

Code	Known As	Old Description	Short Description
223	11KV 26 AL3 XQ H Z / CAT Z	.04 (19/.052) AL3 XQHZ /CAT (COTTAGE LOAF)	NO SHORT DESC
225	33KV 300 CU3 G XQ G CU(WS) Z YQ / #EA1461T		300 CU3
226	415V 323 AL3 P + 194 AL1 P L SW J		323 AL3 + 194 AL
227	10 SC/GZ2	3/.080 GS	10 GZ
228	10 SC/GZ3	3/.080 GS	10 GZ
229	16 SC/GZ3	3/.104 GS	16 GZ
230	11KV 161 CU3 P L SW J	.25 SA	NO SHORT DESC
231	17 HDCU2	7/1.75 CU	17
232	17 HDCU3	7/1.75 CU	17
233	18 SC/GZ1	3/2.75 GS	18 GZ
234	18 SC/GZ2	3/2.75 GS	18 GZ
235	11KV 161 AL3 P L SW J	.25 AL SA	NO SHORT DESC
236	11KV 150 AL3 P H SL SW Z	150 AL3 PHSL SWZ	NO SHORT DESC
237	11KV 150 AL3 P L SW Z	150 AL3 SA PVC	NO SHORT DESC
238	11KV 150 AL3 P H L SW J	150 AL3 PHL SWJ	NO SHORT DESC
239	11KV 194 CU1 P L Z	.3 PVC SING	NO SHORT DESC
240	11KV 194 CU1 P H L Z	.3 PVC SING PILC/PVC SCR	NO SHORT DESC
241	11KV 185 CU1 P H L Z	185 PVC SING PILC/PVC SCR	185
242	11KV 194 CU3 P L DT J	.3 DTJ	NO SHORT DESC
243	18 SC/GZ3	3/2.75 GS	18 GZ
244	11KV 194 CU3 P L SW J	.3 SA	NO SHORT DESC
245	11KV 194 CU3 P L SW J / M	.3 SA (SUB)	NO SHORT DESC
246	11KV 194 CU3 P L DW J	.3 D/SA	NO SHORT DESC
247	11KV 194 CU3 P L DW J / M	.3 D/SA (SUB)	NO SHORT DESC
248	11KV 194 CU3 P H SL SW J	.3 HSL SWAS	NO SHORT DESC
249	11KV 194 CU3 P L SW Z	.3 SA PVC	NO SHORT DESC
250	11KV 194 CU1 P L	.3 LC SING	NO SHORT DESC
251	194 HDCU3	37/1.103 HDCU3	194
252	22 SC/GZ2	7/2.00 GS	22 GZ
253	23 SC/GZ2	7/.080 GS	23 GZ
254	23 SC/GZ3	7/.080 GS	23 GZ
255	11KV 194 CU3 P L	.3 LC	NO SHORT DESC
256	38 HDCU3	7/1.104 CU	38
257	11KV 185 CU3 P L SW J	185 CU3 SA	NO SHORT DESC
258	33KV 1600 CU1 G XQ G MT CU(WS13.1) MT PA MQ YQ / #7488/05A		1600 CU1
259	408 AAAC3	37/3.75 AL	SAPPHIRE
260	11KV 194 AL3 P L SW J	.3 ALSA	NO SHORT DESC
261	42 SC/GZ2	7/2.75 GS	42 GZ
262	11KV 194 AL3 P H L SW J	.3 ALSA SCR	NO SHORT DESC
263	11KV 185 AL3 P H L SW J	185 ALSA SCR	NO SHORT DESC
264	66KV 1200 CU1 G XQ G MT CU(WS) FO MT PA MQ YQ / #7488/05A	HUNTERS HILL	1200 CU1
265	11KV 97 CU6 P L SW J	.3 SA SPC	NO SHORT DESC

Code	Known As	Old Description	Short Description
266	11KV 97 CU6 P L DT	.3 DT SPC	NO SHORT DESC
267	42 SC/GZ3	7/2.75 GS	42 GZ
268	11KV 185 AL3 XQ CU(WS) YQ	185 AL3 H XQ H CU YQ (XLPE)	NO SHORT DESC
269	11KV 185 AL3 P L DB DW J / M	185 AL3 PLY BT SDS (SUB)	NO SHORT DESC
270	11KV 194 CU3 P L J	.3JC	NO SHORT DESC
271	11KV 194 CU3 P H L	.3 PILC SCR	NO SHORT DESC
272	11KV 185 CU3 P H L	185 PILC SCR	NO SHORT DESC
273	11KV 194 CU3 P L Z	.3 PVC	NO SHORT DESC
274	11KV 185 CU3 P H L Z	185 PILC PVC SCR	NO SHORT DESC
275	11KV 194 AL3 P H AL Z	.3 AL PVC	NO SHORT DESC
276	11KV 185 AL3 P H AL Z	185 AL PVC	NO SHORT DESC
277	11KV 185 CU3 XQ H YQ NY / TX	185 CU	NO SHORT DESC
278	11KV 194 CU3 P H L Z	.3 PILC PVC SCR	NO SHORT DESC
279	11KV 185 CU1 P L Z	185 CU SC LC PVC	NO SHORT DESC
280	11KV 194 AL3 P AL Z	.3 AL PIAC PVC	NO SHORT DESC
281	11KV 185 AL3 P H SL SW Z	185 AL3 HSL	NO SHORT DESC
282	11KV 185 AL3 P L SW Z	185 AL3 SA PVC	NO SHORT DESC
283	11KV 194 AL3 P L SW Z	.3 AL3 SA PVC	NO SHORT DESC
284	11KV 185 AL3 P H L SW Z	185 AL3 PHL SWZ	NO SHORT DESC
285	11KV 258 CU1 P L	.4 LC SING	NO SHORT DESC
286	11KV 240 AL3 P H L YQ		240 AL3
287	11KV 258 AL3 P AL Z	.4 AL3 PIAC PVC MIND STRAND AL	NO SHORT DESC
288	11KV 240 AL3 P L YQ		240 AL3
289	11KV 258 AL1 P H L Z	.4 AL1 PVC	NO SHORT DESC
290	11KV 258 CU1 P L Z	.4 PVC SING	NO SHORT DESC
291	11KV 240 AL3 P H L SW Z	240 AL3 SA PVC	NO SHORT DESC
292	11KV 258 AL3 P L SW Z	.4 AL3 SA PVC	NO SHORT DESC
293	11KV 240 AL3 P L SW J	240 AL3 PL SWJ	NO SHORT DESC
294	11KV 258 AL3 P L SW J	.4 AL3 SA	NO SHORT DESC
295	11KV 258 CU3 P L SW J	.4 SA	NO SHORT DESC
296	11KV 258 CU3 P L DW J	.4 DW	NO SHORT DESC
297	9 SC/GZ1	3/2.0 GS	9 GZ
298	9 SC/GZ2	3/2.0 GS	9 GZ
299	11KV 50 CU3 P L SW Z	50 CU3 PL SWZ	NO SHORT DESC
300	11KV 258 CU3 P L	.4 LC	NO SHORT DESC
301	9 SC/GZ3	3/2.0 GS	9 GZ
302	240V 95 AAC 2 XQ / ABC	2 x 95 SQ MM AL ABC LV	95 ABC2
303	415V 300 AL1 Q Z / X 2 + 185 AL1 Q Z + 185 CU1 XQ Z		300 AL/2+185 AL+185 CU
304	415V 185 CU1 XQ Z / 3 CABLES + 185 AL1 Q Z		185 CU/3+185 AL
305	11KV 323 CU1 P H L Z	.5 PVC SING PILC/PVC SCR	NO SHORT DESC
306	11KV 300 CU1 P H L Z	300 PVC SING PILC/PVC SCR	NO SHORT DESC
307	415V 16 HDCU4 Z Z / T	7/1.7 TW 4C	16 T4

Code	Known As	Old Description	Short Description
308	11KV 323 CU3 P H L	.5 PILC SCR	NO SHORT DESC
309	11KV 300 CU3 P H L	300 PILC SCR	NO SHORT DESC
310	11KV 323 CU1 P H L	.5 LC SING PILC/SCR	NO SHORT DESC
311	415V 6 HDCU4 Z Z / T	7/1.04 TW 4C	6 T4
312	158 AAAC1	KRYPTON 19/3.25	158 AL
313	11KV 323 CU3 P H L Z	.5 PILC PVC SCR	NO SHORT DESC
314	11KV 300 CU3 P H L YQ	300 PILC PVC SCR	NO SHORT DESC
315	11KV 323 CU3 P L SW J	.5 SA	NO SHORT DESC
316	415V 185 CU1 XQ Z / 3 CABLES		3 x 185
317	11KV 323 CU3 P H SL SW J	.5 HSL SWAS	NO SHORT DESC
318	110 AAC3 + 50 AAC1		3x110AL & 1x50AL
319	110 AAC3 + 15 HDCU1		3 X 110AL & 1 X 15
320	11KV 323 CU3 P L	.5 LC	NO SHORT DESC
321	132KV 400 CU 1 G XQ G CU(WS) MB FO SS ZFR / EA1265/00		400 CU1
322	132KV 800 CU1 G XQ G CU(WS) MB FO SS ZFR / #EA1265/00		800
323	132KV 1200 CU1 G XQ G CU(WS) MB FO SS ZFR / #EA1471/01		1200
324	415V 300 CU4 P L SW J		300
325	11KV 323 CU3 P L Z	.5 PVC	NO SHORT DESC
326	1.5 CU10PR Q Q (TS) MB YQ / TEL		1.5 CU10 PR
327	1.5 CU30TPR Q Q (TS) PA YQ NY / #EA1292/00		1.5 CU30TPR
328	11KV 185 CU1 G TRXQ G 35 CU(WS) YQ	#EA7328	185 CU1
329	BOND 300 CU1 XQ CU(WS) XQ Z / BOND / #EA1419T		300
330	11KV 323 AL3 P L SW J	.5 ALSA	NO SHORT DESC
331	11KV 323 AL3 P L SW Z	.5 AL3 PL SW PVC	NO SHORT DESC
332	11KV 300 AL3 P L SW J	300 AL3 SA	NO SHORT DESC
333	11KV 95 AL3 P L YQ		95 AL3
334	11KV 300 AL3 P H L YQ	300 AL3 PHL YQ	NO SHORT DESC
335	11KV 323 AL3 P L	.5 AL LC	NO SHORT DESC
336	11KV 300 AL3 P H L	300 AL3 PILC SCR	NO SHORT DESC
337	11KV 323 AL3 P H L SW J	.5 AL3 SA	NO SHORT DESC
338	11KV 300 AL3 P H L SW Z	300 AL3 PHL SWZ	NO SHORT DESC
339	11KV 300 AL3 P L SW Z	300 AL3 SA PVC	NO SHORT DESC
340	11KV 323 AL3 P AL Z	.5 AL PIAC PVC	NO SHORT DESC
341	11KV 323 AL3 P L DB DW J / M	.5 AL PIAC DBT/DWAS (SUB)	NO SHORT DESC
342	11KV 323 AL3 P L DW J / M	.5 AL PILC DWAS/(SUB)	NO SHORT DESC
343	11KV 323 CU3 P H L SW J	.5 PILC SWAS SCR	NO SHORT DESC
344	11KV 323 CU3 P H SL SW	.5 HSL/SWA UNSERVED	NO SHORT DESC
345	11KV 161 CU6 P L	.5 LC SPC	NO SHORT DESC
346	11KV 323 AL3 XQ H FE Z	.5 PVC	NO SHORT DESC
347	11KV 323 AL3 P H AL Z	.5 AL PVC	NO SHORT DESC
348	11KV 300 AL3 P H AL Z	300 AL PVC SCR	NO SHORT DESC
349	11KV 300 AL3 P H L SW J	300 AL SA SCR	NO SHORT DESC

Code	Known As	Old Description	Short Description
350	11KV 484 AL3 P H L SW J	.75 AL SA SCR	NO SHORT DESC
351	11KV 500 AL3 P H L SW J	500 AL SA SCR	NO SHORT DESC
352	11KV 484 AL3 P L SW Z	.75 3C AL PILC SA PVC	NO SHORT DESC
353	11KV 484 CU1 P H L Z	.75 PILC PVC SCR	NO SHORT DESC
354	11KV 500 CU1 P H L Z	500 PILC PVC SCR	NO SHORT DESC
355	11KV 484 AL3 P H AL Z	.75 AL PVC	NO SHORT DESC
356	33KV 400 CU1 P H AL YQ Z		400
357	1.37 CU32PR Q Q H L YQ Z		1.37 CU32PR
358	11KV 484 CU1 P H L	.75 PILC SCR	NO SHORT DESC
359	11KV 500 AL1 P H L Z	500 AL PVC SING	NO SHORT DESC
360	11KV 500 AL3 P H L DB DW Z / M	500 AL3 DWA PVC /SUB	NO SHORT DESC
361	11KV 300 CU 1 EPR 70 CU(WS) Z YQ / EA1400/10A		300
362	240V 2.5 CU2 Z Z / + EARTH		2.5 PVC2 + E
363	11KV 484 AL3 P H L SW Z	.75 PILC/MIND SWA/PVC	NO SHORT DESC
364	11KV 500 AL3 P H SL SW Z	500 AL3 PHSL SWZ	NO SHORT DESC
365	11KV 484 AL3 P H L	.75 PILC SCR	NO SHORT DESC
366	11KV 484 AL1 P H L Z	.75 AL1 PHL PVC	NO SHORT DESC
367	11KV 500 AL1 P L Z	500 AL PVC SING	NO SHORT DESC
368	11KV 484 AL3 P H SL SW J	.75 AL3 SA	NO SHORT DESC
369	11KV 484 AL3 P H SL SW Z	.75 AL3 SA PVC	NO SHORT DESC
370	11KV 484 AL3 P L SW J	.75 AL PILC SWAS	NO SHORT DESC
371	11KV 484 AL3 P AL Z	.75 PIAC PVC	NO SHORT DESC
372	11KV 645 CU1 P H L Z	1.0 PILC PVC SCR	NO SHORT DESC
373	11KV 645 CU1 P H L	1.0 PILC SCR	NO SHORT DESC
374	11KV 630 CU1 P H L Z	630 PILC PVC SCR	NO SHORT DESC
375	11KV 630 CU1 XQ CU(WS) Z	630 CU1 XQ 145 CU(WS)Z	NO SHORT DESC
376	11KV 968 CU1 P H L Z	1.5 PILC PVC SCR	NO SHORT DESC
377	11KV 1000 CU1 P H L Z	1000 SC PVC	NO SHORT DESC
378	11KV 630 AL1 P H L Z	630 AL1 PILC/PVC	NO SHORT DESC
379	415V 150 CU4 P L SW J		150
380	11KV 95 AL3 XQ CU(WS) Z	n/a	NO SHORT DESC
381	11KV 500 AL3 P H L YQ	500 AL3 PHL YQ	NO SHORT DESC
382	9 SM24 NYT F PT Q S Q / OPTIC / ADSS / #BLACK		ADSS/24F
383	11KV 185 CU1 P H L YQ	183 CU1 PHL YQ	NO SHORT DESC
384	11KV 500 CU3 P H L YQ	500 CU3 PHL YQ	NO SHORT DESC
385	11KV 35 AAC 3 XQ CU(WS) YQ / CAT / COM / ABC	35 HV ABC USED AS UG	35AL3 ABC
386	11KV 120 AAC 3 XQ CU(WS) YQ / CAT / COM / ABC	120 HV ABC USED UG	120AL3 ABC
387	11KV 300 CU1 P H L YQ	300 CU1 PHL YQ	300
388	11KV 95 CU1 P H L YQ	95 CU1 PHL YQ	NO SHORT DESC
389	415V 185 CU1 XQ E		185
390	11KV 95 CU3 P H L YQ	n/a	No short Desc
391	11KV 300 CU 1 EPR 70 CU(WS) Z YQ / TX / EA1400/10A		300
392	11KV 185 CU3 P H L YQ	n/a	No short Desc

Code	Known As	Old Description	Short Description
393	415V 16 CU2 Z Z + 6 CU1 / EARTH		16 PVC2 + 6 E
394	11KV 1 AL1 Z	n/a	No short Desc
395	240V 6 CU2 Z Z / + EARTH		6 PVC2 + E
396	11KV 300 CU 1 G EPR G 70 CU(WS) Z YQ / 3 CABLES / TX		300
397	11KV 120 CU1 XQ CU(WS) Z SW Z / #KMI		120
398	415V 300 AL1 XQ Z / 3 CABLES + 185 CU1 Z Z		3x300AL1 + 185CU1
399	415V 185 AL3 XQ CU(NW) + 6 CU1 XQ Z		185AL + 1x6
400	415V 120 CU1 XQ Z / 4 CABLE		4x120
401	77.05 AL11 + 29.8 ACSR/AC8 / 24F / OPGW / #6261T/02		OPGW/24F
402	77.05 AL11+29.8 ACSR/AC8 / 48F / OPGW / #6261T/02		OPGW/48F
403	33KV 500 CU3 G XQ G CU(WS) Z YQ / #6547T/04		500 CU3
404	6 CU1 Z / EARTH		1x6 E
405	16 CU1 Z / EARTH		1x16 E
406	25 CU1 Z / EARTH		1x25 E
407	50 CU1 Z / EARTH		1x50 E
408	415V 95 CU1 P L Z / 2 CABLE		2x95
409	415V 185 CU1 P L Z / 3 CABLES + 185 CU1 P L / RIB / N		3x185 + 1x185 N
410	415V 194 CU1 P L / RIB / 3 CABLES + 194 CU1 P L Z / N		3x194 + 1x194 N
411	415V 323 CU1 P L / 3 CABLES + 194 CU1 P L / RIB / N		3x323 + 1x194 N
412	415V 194 CU1 P L / 3 CABLES + 194 CU1 P L Z / N		3x194 + 1x194 N
413	240V 4 CU2 Z Z / + EARTH		4 PVC2 + E
414	415V 185 CU1 P L / RIB / 3 CABLES		3x185
415	240V 10 CU1 Z Z / 2 CABLE		2x10
416	11KV 300 CU1 G TRXQ G 35 CU(WS) YQ	#EA7328	300CU1
417	11KV 185 CU1 P L Z / X 2 + 185 CU1 EPR CU(WS) YQ / 1 CABLE		3x185
418	300 CU1 Z / EARTH / #GRN YELLO		
419	11KV 300 CU1 EPR 70 CU(WS) Z YQ / #1370T/00		300
420	33KV 500 CU1 G XQ G 195 CU(WS) Z YQ / #6404T/03		500
421	415V 300 CU1 P L Z / 2 CABLE		2x300
422	415V 95 AAC 2 XQ / ABC + 95 AAC 2 XQ / ABC		2x95 AL + 2x95 AL
423	70 HDCU1	19/2.14 HDCU OH CONDUCTOR	70
424	33KV 500 CU3 G XQ G MB CU(WS) MB FO ALMB Q YQ / #6547T/03	TAIHAN ,FDRS 530, 532 & 533	500 CU3
425	33KV 500 CU1 G XQ G 184 CU(WS) Z YQ / #6404/03 / + OPTIC	PIRELLI, FDRS 530, 532 & 533	500
426	1.5 CU10PR Q MB (TS) ALMB YQ NY ZFR / #EA7328		1.5 CU10PR
427	415V 16 CU4 Z + 6 CU1 Z / EARTH Z		16 CU4 + 6 /EARTH
428	415V 300 CU1 XQ Z / 3 CABLES		3x300
429	11KV 300 CU 1 EPR 150 CU(WS) Z YQ / EA1400/10A		300 CU1
430	11KV 95 CU 1 P H L Z / EA1400/10A		95
431	331 ACSR/GZ1	30/7/3.75 ACSR	30/7/3.75 ACSR
432	77 AAAC1	7/3.75 AAAC	7/3.75 AAAC
433	11KV 70 CU1 G TRXQ G 16 CU(WS) YQ / #7328/04		70 CU1
434	11KV 300 AL3 G TRXQ G 35 CU(WS) Z YQ		300 AL3

Code	Known As	Old Description	Short Description
435	11KV 400 AL3 G TRXQ G 35 CU(WS) Z YQ		400 AL3
436	11KV 500 AL3 G TRXQ G 35 CU(WS) Z YQ		500 AL3
437	11KV 35 AL1 G TRXQ G 16 CU(WS) YQ		35 AL1
438	33KV 300 CU1 G XQ G 195 CU(WS) MB Z YQ / #6404T/03		300 CU1
439	132KV 1000 CU1 H P H AL YQ / OF / #7375/04	9SE & 90T FDRS LOOPED INTO GREEN SQUARE	1000 CU1
440	1.5 CU60PR Q LLDQ CU(TS) LLDQ ALMB YQ ZFR / #7328/04		1.5 CU60PR
441	77 AL11 + 15 ACSR/AC4 / FE TUBE OF + 9.2 SM48 / #T02268/04		OPGW/48F
442	415V 185 CU1 XQ E / 4 CABLE		185
443	415V 25 CU1 Z Z / 4 CABLE		25
444	11KV 185 CU 1 P H L Z / EA1400/10A		185
445	33KV 400 CU3 G XQ G CU(WS) MB FO ALMB Q YQ / #6547T/04	TAIHAN	33kv 400 CU3
446	33KV 1600 CU1 G XQ G MT CU(WS25) MT PA MQ YQ / #7488/05A	TAIHAN CABLE USED FOR S21 PARTIAL UNDERGROUNDING	1600 CU1 + 169 CU(WS)
447	11KV 300 CU 1 P H L Z / EA1400/10A		300
448	11KV 124 AAAC1 XQ YQ / #CCT120 / #MMO 50/50 / 2 CABLE		2x124AL
449	9.9 SM48 NYT F S Q / OPTIC / ADSS		ADSS/48F
450	415V 185 CU1 P L / RIB / 2 CABLE		185 CU1
451	9.9 SM60 NYT F PT Q S Q GC Q / OPTIC / ADSS		ADSS/60F
452	33KV 185 CU3 G XQ G CU(WS) FO PA NY YQ / #EA7488/05		185 CU3
453	33KV 300 CU 1 XQ MT CU(WS) 13.1KA MT Z YQ / 7488/05A	TAIHAN	300 CU1
454	33KV 800 CU1 G XQ G CU(WS) MB Z YQ / #6404T/03	AFRICAN CABLE	800
455	11KV 300 CU1 EPR 155 CU(WS) Z YQ / #EA1370T00		300
456	132KV 1200 CU1 G XQ G CAS MQ YQ / #7560T/05		1200 CU1
457	415V 185 CU1 P L / RIB / 3 CABLES + 185 CU1 P L Z / NEUT.		3x185 + 1x185 N
458	129 HDCU 3 + 65 HDCU 1	3x19/.116 + 7/.136	129 + 65
459	33KV 300 CU3 G XQ G FO CU(WS) 13.1KA Z YQ / #7488/05A		300
460	9 SM48 NYT F MT Q S Q / OPTIC / ADSS / CORN		ADSS/48F
461	9 SM60 NYT F MT Q S Q / OPTIC / ADSS / CORN / DEFAULT		ADSS/60F
462	415V 194 CU1 P L / 3 CABLES + 300 CU1 P L Z / N		3x194 + 1x300 N
463	11KV 129 CU3 P L DT J	11KV 0.2 CU3 P L DT J	129
464	415V 50 CU4 Z Z + 16 CU1 Z / EARTH		50 CU4
465	240V 6 CU2 P L Z		6
466	415V 16 CU2 P SW J (N)		
467	415V 70 CU4 Q Z + 25 CU1 Q / EARTH		70 + 25 E
468	415V 15 CU1 P L / 2 CABLE		2x15
469	132KV 400 CU1 G XQ G MT CU(WS) 40KA FO AL WQ YQ / #7488/05B		400
470	33KV 630 CU1 G XQ G CU(WS) 13.1KA MT PA Z YQ / #7488/05A		630
471	33KV 500 CU3 G XQ G MT CU(WS) 13.1KA MT FD PA Q YQ /		500
472	33KV 1200 CU1 G XQ G MT CU(WS) 25KA MT PA Q YQ / #7488/05A		1200
473	132KV 1200 CU1 G XQ G CAS Z YQ / #7488/05A		1200



Code	Known As	Old Description	Short Description
474	33KV 400 CU1 G XQ G CU(WS) 13.5KA FO Z YQ / RAILCORP	RAILCORP CABLE OUT OF PT HACKING STS	400
475	415V 65 CU1 P L SW J / 4 CABLE		4 x 65
476	415V 120 CU4 P L Z		120
477	415V 185 CU1 P L SW J / 4 CABLE		4 x 185
478	415V 65 CU1 P L SW J		65 SW J
479	415V 65 CU1 P L Z		65 P L Z
480	415V 65 CU1 P L Z / 2 CABLE		
481	33KV 1200 CU1 G XQ G CU(WS 178) Z YQ / #EA567/98		1200 CU1
482	240V 2.5 CU1 Z		2.5 CU1 Z
483	11KV 95 AL1 G XQ G CU(WS) YQ / TX		95 AL TX
484	11KV 240 CU3 P L SW J		240
485	11KV 240 CU3 P H L SW Z		240
486	11KV 150 CU3 P L SW J		150
487	11KV 120 CU3 P L		120
488	415V 185 AL4 P L Z	185 AL4 P L Z	185 AL4
489	1.5 CU30PR Q MB (TS) ALMB YQ NY ZFR / #EA7328		1.5 CU30PR
490	1.5 CU50PR Q MB (TS) ALMB YQ NY ZFR / #EA7328		1.5 CU50PR
491	33KV 400 CU3 G XQ G CU(WS) PA Q FO Z YQ / #7488/05A		33kv 400 CU3
492	33KV 240 AL1 G XQ G CU(WS) Z		240 AL
493	33KV 240 CU3 G XQ G CU(WS) MB Z YQ	33kv Cable for De - Salination Plant	33kv 240 CU3
494	9 SM72 NYT F RC Q NY / OPTIC		OPTIC/72F
495	33KV 387 CU3 P CU(TS) AL Z YQ / GP	INTEGRAL CABLE USED FOR FDR 567 REPAIR	33kv 387 CU3
496	33KV 300 CU1 XQ MT CU(WS) 13.1KA PA Z YQ / #7488/05A		33kv 300 CU1
497	33KV 1200 CU1 G XQ G CU(WS 178) Z YQ / #6404T/03		1200
498	132KV 2000 CU1 G XQ G SEMI COND. AL Z YQ / #EA9274		132kv 2000 CU1
499	132KV 400 CU1 G XQ G SEMI COND. AL WQ HFPO	WEST TUNNEL PROJECT FROM HAYMARKET TO NEW SYDNEY NORTH	132kv 400 CU1
500	NR		NR
501	132KV 800 CU1 G XQ G SEMI COND. AL WQ HFPO	WEST TUNNEL PROJECT FROM HAYMARKET TO NEW SYDNEY NORTH	132kv 800 CU1
502	33KV 500 CU1 G XQ G MB CU(WS) 13.1KA MB PA Q YQ / #7488/05A		33kv 500 CU1
506	506 AAAC1	61/3.25 AAAC	Selenium 506 AAAC1
507	132KV 800 CU1 G XQ G SEMI COND. CU(WS) LA Z YQ / #7488/05A	CABLE FOR 90V/90W	800 CU1
508	132KV 387 CU3 H P H L DB Z / OF / #1194	FDR 900	387 CU3
509	132KV 400 CU1 G XQ G SEMI COND. AL Z YQ / #7488/05A	CABLE FOR 90V/09W	400 CU1
510	415V 25 CU3 P L SW + 16 HDCU1 / NEUTRAL		3x25 + 1x16 N
511	415V 185 CU3 XQ CU(NW) + 6 CU1 XQ Z		185 + 1x6
512	33KV 400 CU3 G XQ G CU(WS) 13.1KA Z YQ / #7488/05A	TAIHAN	400 CU3
513	1.5 CU10PR Q LLDQ CU(TS) ALMB LLDQ YQ / #7328/04		1.5 CU10PR
514	132KV 1200 CU1 G XQ G SEMI COND. AL Z YQ / #9274T/07		1200 CU1

Code	Known As	Old Description	Short Description
515	132KV 1200 CU 1 G XQ G CU(WS) SEMI COND. LA Z YQ / #7488/05A		1200 CU1
516	33KV 500 CU3 G XQ G CU(WS) 25KA FD PA MQ YQ / #7488/05A		500
517	11KV 400 AL1 G XQ G CU(WS) Z YQ		400AL
518	132KV 400 CU1 G XQ G SEMI COND. FO AL Z YQ / #7488/05A	KURNELL & GALSTON CABLE	400 CU1
519	132KV 1200 CU1 G XQ G SEMI COND. FO AL Z YQ / #7488/05A	KURNELL	1200 CU1
520	132KV 1600 CU1 G XQ G SEMI COND. FO AL Z YQ / #7488/05A	KURNELL	1600 CU1
521	33KV 500 CU3 G XQ G SEMI COND. PA G SEMI COND. 1 CU(WS13.1)	CABLE FOR BROOKVALE	500 CU3
522	11KV 240 CU3 P LA YQ		240
523	11KV 630 CU 1 P H L Z / EA1400/10A		630
524	11KV 1000 CU 1 P H L Z / EA1400/10A		1000
525	11KV 300 CU 3 P H L YQ / EA1400/10A		300
526	11KV 70 CU 1 TRXQ 16 CU(WS) YQ / EA1400/10B		70
527	33KV 400 CU3 P H SL SW J		
528	66KV 630 CU1 G XQ G CU(WS) Z YQ		
529	33KV 1200 CU1 G XQ G CU(WS13.1) PA Q YQ / #7488/05		1200 CU1
530	1.5 CU30PR Q LLDQ CU(TS) LLDQ MB YQ LSZH		NO SHORT DESC
531	300 CU1 LSZH / EARTH		NO SHORT DESC
532	9 SM60 NYT F Q GC Q NY LSZH		OPTIC/60F
533	11KV 150 CU3 P H SL SW Z		
534	11KV 185 CU 1 G EPR G 70 CU(WS) Z YQ / 3 CABLES / TX		185
535	11KV 95 AL 3 EPR 16 CU(WS) Z YQ / EA1400/10A		95 AL3
536	66KV 300 CU1 G XQ G SEMI COND. LA Z CU(TS) YQ		300
537	11KV 300 AL 3 TRXQ 35 CU(WS) Z YQ / EA1400/10B		300 AL3
539	415V 240 CU1 XQ Z / 12 CABLES		240
540	33KV 500CU1 G XQ G CU(WS) 25KA PA Z YQ / #7488/05A		630
541	33KV 630 CU1 G XQ G CU(WS) 25KA PA Z YQ / #7488/05A		630
542	132KV 400 CU1 G XQ G MT CU(WS) 40KA PA YQ / #7488/05B		400
544	11KV 400 AL 3 TRXQ 35 CU(WS) Z YQ / EA1400/10B		400 AL3
545	11KV 500 AL 3 TRXQ 35 CU(WS) Z YQ / EA1400/10B		500 AL3
546	11KV 500 CU 3 EPR 35 CU(WS) Z YQ / EA1400/10A		500
547	11KV 630 CU 1 EPR 120 CU(WS) Z YQ / EA1400/10A		630
548	11KV 1000 CU 1 TRXQ 120 CU(WS) Z YQ / EA1400/10B		1000
549	66 HDCU 1 + 130 HDCU 3		130 + 66
550	132KV 1600 CU 1 G XQ G FO CAS Z YQ / #1494/10		1600 CU1
551	1.5 CU 50 PR Q MB (TS) ALMB YQ NY LSZH / EA1292/01		1.5 CU50PR
552	9.9 SM 60 NYT F RC Q NY / OPTIC / CORN		OPTIC/60F
553	9.9 SM 60 NYT F RC Q GC Q NY / OPTIC / CORN		OPTIC/60F
554	9.9 SM 72 NYT F RC Q GC Q NY / OPTIC / CORN		OPTIC/72F
555	9.9 SM 312 NYT F RC Q NY / OPTIC / CORN		OPTIC/312F
556	9 SM 24 NYT F RC Q NY / OPTIC / CORN		OPTIC/24F

Code	Known As	Old Description	Short Description
557	415V 16 CU 4 Q YQ		16
558	415V 25 CU 3 Q + 6 CU 1 / N 25 CU(WS) MQ		25 + 6N
559	33KV 800 CU 1 G XQ G CU(WS) MB Z YQ / EA7488/05		
560	11KV 500 CU 3 EPR CU(WS) Z YQ / ISC / #7328/04		500
561	11KV 300 CU 1 EPR 70 CU(WS) Z YQ / EA7328/04		300
562	120 HDCU 1	19/2.84 HDCU OH CONDUCTOR USED AS UG EARTH CONTINUITY	120 HDCU
563	240V 25 AAC 2 XQ / ABC	PILOT/CONTROL/SIGNAL CABLE (OH)	25 AL2
564	9 SM 60 NYT F MT Q S Q / OPTIC / ADSS / CORN / 100		ADSS/60F/100
565	9 SM 60 NYT F MT Q S Q / OPTIC / ADSS / CORN / 200		ADSS/60F/200
566	9 SM 60 NYT F MT Q S Q / OPTIC / ADSS / CORN / 250		ADSS/60F/250
567	9 SM 60 NYT F MT Q S Q / OPTIC / ADSS / CORN / 400		ADSS/60F/400
568	9 SM 60 NYT F MT Q S Q / OPTIC / ADSS / CORN / 600		ADSS/60F/600
569	11KV 185 CU 1 EPR 70 CU(WS) Z YQ / EA1400/10A		185 CU1
570	11KV 150 CU 3 EPR 35 CU(WS) Z YQ / EA1400/10A		150 CU
571	11KV 185 AL 3 EPR 35 CU(WS) Z YQ / EA1400/10A		185 AL
572	11KV 35 AL 1 TRXQ 16 CU(WS) YQ / EA1400/10B		35 AL
573	415V 16 CU 2 XQ Z / EA1400/10B		16 CU2
574	415V 16 CU 4 XQ Z / EA1400/10B		16 CU2
575	415V 300 AL 4 XQ Z / EA1400/10B		300 AL
576	415V 240 AL 4 XQ Z / SAC / EA1400/10B		240 AL
577	415V 240 AL 4 XQ Z / EA1400/10B		240 AL
578	415V 240 CU 4 XQ Z / EA1400/10A		240
579	415V 185 CU 1 XQ Z / COM / 4 CABLE / EA1400/10B		185
580	415V 185 CU 1 XQ Z / 4 CABLE / EA1400/10B		185
581	415V 50 CU 4 XQ Z / EA1400/10A		50
582	415V 300 AL 1 XQ Z / 4 CABLE / EA1400/10A		300 AL1
583	415V 300 CU 1 XQ Z / 4 CABLE / EA1400/10A		300 CU1
584	415V 500 CU 1 XQ Z / 4 CABLE / EA1400/10A		500 CU1
585	66KV 1200 CU 1 XQ MT CU(WS) PA MQ YQ / EA7488/05A		1200
586	415V 240 AL 4 XQ Z / SAC / App1066		240 AL
587	415V 240 AL 4 XQ Z / SAC / App1059		240 AL
588	132KV 2000 CU 1 G XQ G FO CAS Z YQ / #1494/10		2000 CU1
589	132KV 2500 CU 1 G XQ G FO CAS Z YQ / #1494/10		2500 CU1
590	132KV 2000 CU 1 G XQ G FO CAS Z YQ / #7488/05		1200 CU1
591	66 HDCU 8 + 160 AAC 4		66 HDCU 8 + 160 AAC 4
592	11KV 400 AL 3 XQ CU(WS) Z YQ / ISC / EA7328/04		400 AL
593	415V 185 CU 1 XQ Z / App1066		185 CU1
594	11KV 300 AL 3 XQ MB CU(WS) Z YQ / ISC / App1002/1		300 AL
595	11KV 400 AL 3 XQ MB CU(WS) Z YQ / ISC / App1002/1		400 AL
596	11KV 500 AL 3 XQ MB 35 CU(WS) Z YQ / ISC / App1076		500 AL
597	415V 240 AL 4 XQ Z / SAC / App1094		240 AL

Code	Known As	Old Description	Short Description
598	BOND 185 CU 1 XQ Z / BOND		
599	415V 185 CU 1 XQ Z / 3 CABLES + 95 CU 1 P L Z		3x185 + 1x95 N
600	NR		NR
601	9 SM 60 NYT F MT Q S Q / ADSS / 150 / EA1610/10		ADSS//60F/150
602	15 GZ2	7/064 FE2 GALV.	15 GZ
603	16 GZ2	2x3/12 FE	2x16
604	11KV 16 GZ2 + 23 HDCU1	2x3/12 FE & 1x7/14 CU	2x16 1x23
605	11KV 15 HDCU3	3x7/16	3x15
606	11KV 15 HDCU3 XQ H Z / CAT Z / ABC	7/064 CU3 PVC/CAT OH	3x15
607	11KV 22 CDCU3	7/2.0 HD CDCU3	3x22
608	11KV 15 HDCU2	2x7/16	2x15
609	11KV 15 HDCU2 + 23 HDCU1	2x7/16 & 1x7/14	2x15 1x23
610	11KV 15 AAC2	2x7/16AL	2x15
611	11KV 15 AAC2 + 23 HDCU1	2x7/16AL & 1x7/14	2x15AL 1x23
612	11KV 24 HDCU3 XQ H Z / CAT Z / ABC	7/083 CU3 Z/OH CAT (COTTAGE LOAF)	3x23 CAT
613	11KV 49 HDCU3	19/15	3x49
614	415V 150 AAC 4 XQ / ABC / Grey		150 ABC/GREY
615	39 HDCU3	19/16	3x39
616	9 SM 60 NYT F MT Q NY S Q / ADSS / 150 / EA1610/10		ADSS//60F/150
617	11KV 30 HDCU3	19/17	3x30
618	11KV 24 HDCU3 / CAT	7/14 CU3/OH CAT	3x23 CAT
619	11KV 37 HDCU2	2x7/1.101	2x37
620	11KV 23 HDCU3	3x7/14	3x23
621	11KV 39 SC/CUC3	3x3/1.162 CW	3x39
622	11KV 51 CDCU3	3x3/1.182 CDCU	3x51
623	23 HDCU2 + 111 AAC1	2x7/0.083 & 1x7/4.5AL	2x23 1x111AL
624	110 AAC2 + 111 AAC1	2x7/1.173AL & 1x7/4.5AL	2x110AL 1x111AL
625	23 CDCU3	3x7/14 CDCU	3x23
626	23 HDCU2 + 64 AAC1	2x7/14 & 1x7/1.134AL	2x23 1x64AL
627	22 HDCU2	2x7/2.0	2x22
628	11KV 19 AAC3	3x7/1.074AL	3x19AL
629	11KV 27 AAC3	3x7/1.087AL	3x27AL
630	11KV 23 HDCU2	2x7/14	2x23
631	11KV 64 AAC3	3x7/1.134AL	3x64AL
632	11KV 50 HDCU2	2x7/1.118	2x50
633	11KV 50 AL3	3x7/1.118AL	3x50AL
634	11KV 66 CDCU3	3x19/0.083 CDCU	3x66
635	11KV 66 HDCU3	3x19/14	3x66
636	11KV 60 HDCU3	3x19/2.00	3x60
637	49 AAC2	2x7/3.00AL	2x50AL
638	6.6KV 98 HDCU3	3x19/12	3x98
639	6.6KV 23 HDCU3	3x7/14	3x23

Code	Known As	Old Description	Short Description
640	6.6KV 66 HDCU3	3x19/14	3x66
641	6.6KV 40 HDCU3	3x19/16	3x40
642	11KV 46 HDCU3	3x19/1.75	3x46
643	66 HDCU6 / 2 COND/PH	6x19/14 BUND	6x66 BUND
644	11KV 36 HDCU2 + 7 AAC1	2x7/12 & 1x7/.134AL	2x36 1x7AL
645	11KV 36 HDCU3	3x7/12	3x36
646	11KV 38 HDCU3	3x7/.104	3x38
647	18 CDCU2	2x7/1.75 CDCU	2x18
648	11KV 22 CDCU2	2x7/2.00 CDCU	2x22
649	11KV 36 SC/AC3	3x7/.102 AW	3x36
650	11KV 98 HDCU3	3x 19/12 (19/2.56)	3x98
651	11KV 98 HDCU2	2x19/.101	2x98
652	11KV 22 HDCU3	3x7/2.00	3x22
653	11KV 42 HDCU3	3x7/2.75	3x42
654	11KV 50 AAC2	2x7/.118AL	2x50AL
655	129 HDCU1	3x19/.116	129
656	11KV 49 AAAC3	3x7/.116AL ALLOY	3x49AAAC
657	11KV 124 AAAC3	3x7/4.75AL ALLOY	3x124AAAC
658	210 AAC3	3x19/3.75AL	PLUTO 210AL
659	11KV 33 SC/AC3	3x4/.128AW	3x33
660	11KV 58 HDCU3	3x7/10	3x58
661	587 AAAC 3 / 2 COND/PH		3 x 587 AL BUND
662	11KV 64 HDCU3	3x7/.136	3x64
663	11KV 64 AAC2	2x7/.134AL	2x64AL
664	11KV 67 AAC3	3x7/3.50AL	3x67AL
665	11KV 158 AAC3	3x19/.128AL	3x158AL
666	11KV 214 AAC3	3x19/.149AL	214AL
667	11KV 58 HDCU2 + 66 HDCU1	2x7/.128 & 1x19/.083	2x58 1x66
668	77 AAC2	2x7/3.75AL	77 AL
669	77 AAC3	3x7/3.75AL	MARS 77 AL
670	110 AAC2	2x7/.173AL	2x110AL
671	105 AAC3	3x7/.173 or 7/4.39	WASP 105AL
672	111 AAC3	3x7/4.5AL	MERCURY 111AL
673	157 AAC3	3x19/3.25AL	3x157AL
674	111 AAC2	2x7/4.5AL	2x111AL
675	39 HDCU3	3x19/16	3x39
676	36 HDCU3	7/.104 CU3/OH (7/2.64)	3x38
677	58 HDCU3	3x7/.128 CDCU	3x58
678	129 HDCU3	3x19/11	3x129
679	42 HDCU3	3x7/2.75	3x42
680	66 HDCU3	3x19/14	3x66
681	66 HDCU2 / 2 COND/PH	6x19/14 BUND	6x66 BUND
682	60 HDCU2 / 2 COND/PH	6x19/2.00 BUND	6x60 BUND

Code	Known As	Old Description	Short Description
683	111 AAC6 / 2 COND/PH	6x7/4.5AL BUND	6x111AL BUND
684	220 HDCU3	3x37/2.75	3x220
685	98 HDCU6 / 2 COND/PH	6x19/12 BUND	6x98
686	9 SM 60 NYT F MT Q S ATPE / ADSS / 150 / EA1610/10		ADSS/ATPE/60F/150
687	369 ACSR/GZ1	54/7/2.95	54/7/2.95
688	9 SM 60 NYT F MT Q S Q / ADSS / 400 / EA1610/10		ADSS/60F/400
689	9 SM 60 NYT F MT Q NY S Q / ADSS / 400 / EA1610/10		ADSS/60F/400
690	33KV 98 HDCU3	3x19/12	3x98
691	33KV 128 HDCU3	3x37/.083	3x128
692	9 SM 60 NYT F MT Q S ATPE / ADSS / 400 / EA1610/10		ADSS/ATPE/60F/400
693	9 SM 60 NYT F MT GC Q / OPTIC / EA1610/10		OPTIC/60F
694	9 SM 60 NYT F MT NY GC Q / OPTIC / EA1610/10		OPTIC/60F
695	110 AAC6 / 2 COND/PH	6x7/.173AL BUND	6x110AL BUND
696	11KV 300 CU 1 EPR 70 CU(WS) HFPO YQ HFPO / TX		300 CU1
697	11KV 35 CU 1 XQ CU(WS) Z / 3 CABLES		35
698	132KV 800 CU 1 XQ SEMI COND. CAS Z YQ / AG4947/12B		800 CU1
699	210 AAC3	3x19/3.75AL	PLUTO 210AL
700	/ 3rd Party / Using / Ausgrid / Ducts / 3RD DEFAULT		
701	235 AAAC3	3x37/.113 (37/2.87) AAAC(CODE POPLAR)	3x251AAAC
702	181 AAAC3	3x19/.137(19/3.48)AAAC (CODE ASH)	3x176AAAC
703	2.5 CU 8 Z Z		NO SHORT DESC
704	33KV 300 CU 1 XQ CU(WS) 13.1KA MT PA MQ YQ / EA2271/10		300 CU1
705	158 AAC6 / 2 COND/PH	6x19/.128AL BUND	6x158AL BUND
706	158 AAC6 / 2 COND/PH	6x19/3.25AL BUND	6x157AL BUND
707	324 ACSR/GZ3	3x30/7/.146(30/7/3.71)ASCR	GOAT 335AL/GZ
708	124 AAC3	3x7/4.75AAC	3x124AL
709	111 AAC3	3x7/4.5AAC	MERCURY 111AL
710	106 AAC3	3x7/.173AL	3x110AL
711	448 ACSR/GZ1	54/7/3.25 ACSR/GZ	3x448ACSR/GZ
712	215 AAC3	3x19/.149AL	3x215AL
713	506 AAC3	3x61/3.25AL	URANUS 3x506AL
714	337 AAC3	3x19/4.75AL	TAURUS 337AL
715	66KV 66 HDCU3	3x19/14	66
716	33KV 1200 CU 1 XQ CU(WS) 25KA MT PA MQ YQ / EA2271/10		1200 CU1
717	33KV 500 CU 3 XQ CU(WS) 25KA FD PA Z YQ / EA2271/10		500
718	132KV 400 CU 1 XQ SEMI COND. CAS Z YQ / EA2271/10		400 CU1
720	66 HDCU6 2 COND/PH	6x19/14 BUND	6x66 BUND
724	132KV 337 AAAC3	3x19/4.75AL	3x337AL
725	66KV 98 HDCU3	3x19/12	3x98
726	66KV 337 AAC3	3x19/4.75AL	3x337AL
727	66KV 214 AAC3	3x19/.149AL	3x214AL

Code	Known As	Old Description	Short Description
728	66KV 506 AAC3	3x61/3.25AL (CODE URANUS)	URANUS 3x506AL
730	409 AAAC3	3x37/3.75AL	3x409
731	415V 400 CU 1 XQ Z / 4 CABLE		400 CU1
732	11KV 300 CU 1 EPR 150 CU(WS) Z YQ / EA7328/04		300 CU1
733	132KV 1200 CU 1 XQ CU(WS) PA MQ YQ / EA2271/10		1200 CU1
734	66KV 251 AAAC3	3x37/.113(37/2.87)AAAC (CODE POPLAR)	3x251AAAC
735	66KV 176 AAAC3	3x19/.137(19/3.48)AAAC(CODE ASH)	3x176AAAC
736	132KV 1200 CU 1 XQ SEMI COND. CAS Z YQ / AG1892/10		1200 CU1
737	132KV 1600 CU 1 XQ SEMI COND. CAS Z YQ / AG1892/10		1600 CU1
738	132KV 400 CU 1 XQ SEMI COND. FO CAS Z YQ / EA2271/10		400 CU1
739	132KV 400 CU 1 XQ SEMI COND. CAS Z LSZH / EA2271/10		400 CU1
740	132KV 400 CU 1 XQ SEMI COND. FO CAS Z LSZH / EA2271/10		400 CU1
741	132KV 400 CU 1 XQ MT CU(WS) PA MQ YQ / EA2271/10		400 CU1
742	132KV 400 CU 1 XQ MT CU(WS) FO PA MQ YQ / EA2271/10		400 CU1
743	132KV 800 CU 1 XQ SEMI COND. CAS Z YQ / EA2271/10		800 CU1
744	33KV 300 CU 1 XQ MT CU(WS) 25KA PA Z YQ / 7488/05A		
745	132KV 800 CU 1 XQ MT CU(WS) PA MQ YQ / EA2272/10		800 CU1
746	132KV 1200 CU 1 XQ SEMI COND. CAS Z YQ / EA2271/10		1200 CU1
747	33KV 300 CU 1 XQ CU(WS) 25KA PA WQ YQ / EA2271/10		300 CU1
748	382 ACSR/GZ3	54/7/3.00 ACSR/GZ3	MANGO 382AL/GZ
749	33KV 630 CU 1 XQ CU(WS) 25KA MT PA MQ YQ / EA2271/10		630 CU1
750	506 AAC3	3x61/3.25AL FULLY SHIELDED-POST INSULATOR	URANUS 3x506AL
751	132KV 492 AAC3	3X37/.161AL	3x492AL
752	415V 400 CU 1 XQ LSZH / 4 CABLE		400 CU1
754	33KV 500 CU 3 XQ CU(WS) 13.1KA FD PA Z YQ / EA2271/10		500
755	33KV 300 CU 3 XQ CU(WS) 25KA FD PA Z YQ / EA2271/10		300
756	508 ACSR/GZ6 / 2 COND/PH	132kv 2 x 54/7/3.50 ACSR/GZ	OLIVE 508AL/GZ BUND
757	508 ACSR/GZ3	54/7/3.50 ACSR/GZ3	OLIVE 508AL/GZ
759	33KV 300 CU 3 XQ CU(WS) 13.1KA FD PA Z YQ / EA2271/10		300
760	517 ACSR/GZ6 / 2 COND/PH	6X54/7/3.53ACSR/GZ BUND (CODE MOOSE)	MOOSE 517AL/GZ BUND
761	517 ACSR/GZ3	3x54/7/3.53ACSR/GZ	MOOSE 517 AL/GZ
762	11KV 16 GZ2 + 60 HDCU1	2x3/.101FE & 1x19/2.00	2x16GZ 1x60
763	528 ACSR/GZ3	2x7/3.75AL & 1x7/4.5AL	2x77AL 1x111
764	11KV 15 HDCU3 Z / #SINGLES	3x7/.064 PVC INSULATED	3x15
765	11KV 60 HDCU2	2x19/2.00	2x60
766	38 HDCU2	2x7/.104(7/12)	38
767	11KV 128 CDCU3	3x37/.083 CDCU	3x128
768	11KV 26 AAC 3 XQ H Z / CAT / COTTAGE / ABC	3x.04(19/.052)AL XQHZ/7/.080FE CAT/OH( COTTAGE LOAF)	3x26AL CAT
769	11KV 35 AAC 3 XQ 25 CU(WS) Z / CAT / ABC	3x35(7/2.62)AL XQ31/.86CU(WS)Z /7/2.00FE CAT(HV ABC)	3x35AL CAT

Code	Known As	Old Description	Short Description
770	11KV 111 AAC3	3X7/4.5AAC	3x111AAC
771	15 GZ3	3X7/0.64FE	15GZ
772	11KV 57 SC/AC3	3X7/3.25AW	3x57SC/AC
773	49 AAC2 + 111 AAC1	2X7/1.118AL & 1X7/4.5AL	2x49AL 1x111AL
774	33KV 630 CU 1 XQ CU(WS) 13.1KA MT PA MQ YQ / EA2271/10		630 CU1
775	11KV 15 GZ2 + 22 GZ1	2X7/0.64FE & 1X7/2.00FE	2x15GZ 1x22GZ
776	216 HDCU3	3X37/2.75	3x220
777	11KV 36 SC/AC2	2X7/1.102AW	2x36SC/AC
778	11KV 90 HDCU3	3X7/8	3x90
779	22 GZ3	3X7/2.00 FE	22 GZ
780	67 AAC2 + 111 AAC1	2X7/3.50AL & 1X7/4.50AL	2x67AL 1x111AL
781	207 ACSR/GZ3	3x30/7/3.00ACSR /GZ	LEMON
782	199 HDCU1	37/2.62 or 37/1.103 CU	37/2.62
783	66 ACSR/GZ3	3X6/1/3.75ACSR /GZ	BANANA 65 AL/GZ
784	11KV 35 AAC 3 XQ CU(WS) YQ / CAT / COM / ABC	35 AL3 XQ CU(WS) YQ / AST COM ABC	35AL3 ABC
785	11KV 120 AAC 3 XQ CU(WS) YQ / CAT / COM / ABC	120 AL3 XQ CU(WS) YQ / CAT COM ABC	120AL3 ABC
786	33KV 800 CU 1 XQ CU(WS) 25KA MT PA MQ YQ / EA2271/10		800 CU1
787	132KV 400 CU 1 XQ MT CU(WS) PA MQ LSZH / EA2271/10		400 CU1
788	11KV 77 AAC1 XQ YQ / CCT80 / 60/40% MMO	7/3.75 AL3 XQ / CC80	3x77AL
789	11KV 124 AAC3 XQ / CCT120 / 50/50% MMO	7/4.75 AL3 XQ / CCT120	3x124AL
790	11KV 183 AAC3 XQ	19/3.50 AL3 XQ / IUC180	3x183AL
791	11KV 77 AAC2 XQ / CC80	7/3.75 AL2 XQ / CC80	2x77AL
792	337 AAC3	3x19/4.75AL	3x337AL
793	202 HDCU1	37/2.64 HDCU	37/2.64 HDCU
794	132KV 400 CU 1 XQ MT CU(WS) FO PA MQ LSZH / EA2271/10		400 CU1
795	132KV 800 CU 1 XQ SEMI COND. FO CAS Z YQ / EA2271/10		800 CU1
796	132KV 800 CU 1 XQ SEMI COND. CAS Z LSZH / EA2271/10		800 CU1
797	132KV 800 CU 1 XQ MT CU(WS) FO PA MQ YQ / EA2272/10		800 CU1
798	132KV 800 CU 1 XQ MT CU(WS) PA MQ LSZH / EA2272/10		800 CU1
799	132KV 1200 CU 1 XQ SEMI COND. FO CAS Z YQ / EA2271/10		1200 CU1
800	132KV 1200 CU 1 XQ SEMI COND. CAS Z LSZH / EA2271/10		1200 CU1
801	2.1 CU4 Q Q Z NY / TR	1/0.64 CU4 NT	NO SHORT DESC
802	1.5 CU4 Q Q Z NY / TR	1/1.38 CU4 NT	NO SHORT DESC
803	2.1 CU4 Q Q Z / TR	1/0.64 CU4 NT	NO SHORT DESC
804	2.1 CU4 Q Q L DW J / M TR	1/0.64 CU4 DWSA TR (SUB)	NO SHORT DESC
805	2.1 CU4 R L / TR	1/0.64 CU4 LCRIT	NO SHORT DESC
806	2.1 CU4 R L SW / TR	1/0.64 CU4 SARIT	NO SHORT DESC
807	2.1 CU4 R L SW / TR M	1/0.64 CU4 SARIT (SUB)	NO SHORT DESC
808	.98 CU4 Q Q Z NY / TR	1/0.44 CU4 NT	NO SHORT DESC
809	.98 CU10PR Q Q AL Z / T TR	1/0.44 CU10PR QQ AL Z/TR	NO SHORT DESC
810	2.1 CU4 Q Z SW / CAT TR	1/0.64 CU4 SAAT (UG)	NO SHORT DESC



Code	Known As	Old Description	Short Description
811	4 CU3 P H / TEL + .66 CU3PR P L J SW Z BV	7/.85 CU3PHTELCU3PRPLSWZ/BV	NO SHORT DESC
812	4.6 CU3 P H P L SW J / BV	7/.036 CU3 BVSA	NO SHORT DESC
813	4.6 CU3 P H + .66 CU3PR P L DW J / BV	7/.036 CU3 BVSA TEL	NO SHORT DESC
814	4.6 CU3 P H L DT J / BV	7/.036 CU3 BV DT	NO SHORT DESC
815	4.6 CU3 P H + .82 CU3PR P L SW J / BV	7/.036 CU3 BVSA TEL	NO SHORT DESC
816	4.6 CU3 P H + .82 CU3PR P L DW J / BV M	7/.036 CU3 BVSA (SUB)	NO SHORT DESC
817	3 CU3 P H + .66 CU1PR P L SW J / BV	7/.029CU3 SA TEL 1PR	NO SHORT DESC
818	3 CU3 P H + .64 CU3PR P L SW J / BV	7/.029 CU3 SA TEL 3PR	NO SHORT DESC
819	3 CU3 P H + .64 CU6PR P L SW J / BV	7/.029 CU3 SA TEL 6PR	NO SHORT DESC
820	4.6 CU3 P H + .82 CU3PR P L / BV	7/.036 CU3 BVLC	NO SHORT DESC
821	4 CU3 P H + 1 CU3PR P L SW J	7/.85 CU3 BVSA	NO SHORT DESC
822	4 CU3 P H + 1 CU3PR P L / BV	7/.85CU3 BVLC	NO SHORT DESC
823	4.6 CU8 P L	7/.036 CU8 LC	NO SHORT DESC
824	.66 CU10PR Q Q Z SW Z / Q TEL	1/.036 CU10PR SA PVC TEL	NO SHORT DESC
825	.66 CU6PR Q Z SW J / TEL	1/.036 CU6PR SA TEL	NO SHORT DESC
826	.66 CU10PR Q Q Z SW J / Q TEL	1/.036 CU10PR SA TEL	NO SHORT DESC
827	22 CU3 P H + .64 CU3PR P L SW J / BV	7/.083CU3 BVSA TEL	NO SHORT DESC
828	4.6 CU3 P H + .64 CU3PR P L SW Z / BV	7/.036 CU3 BVSA PVC TEL	NO SHORT DESC
829	4.6 CU3 P H + .64 CU3PR P L J / BV	7/.036 CU3 BVLCJ TEL	NO SHORT DESC
830	4.6 CU3 P L / BV	7/.036 CU3 LC BV	NO SHORT DESC
831	4.6 CU3 P H P L DW J / BV	7/.036 CU3 PH PL DWJ/BV	NO SHORT DESC
832	4.6 CU3 P H + .64 CU3PR P L DT J / BV	7/.036 CU3 PH CU3PR/TEL/PL DTJ/BV	NO SHORT DESC
833	2.1 CU6PR Z Z / Q TEL	1/.064 CU6PR HZZ/Q TEL	NO SHORT DESC
834	1.27 CU28PR P L SW J / GP	1/.050 CU28PR PL SWJ	NO SHORT DESC
835	1.27 CU7PR P + .64 CU18PR P L SW / GP	1/.050 CU7PR 1/.036CU18PR PL SWJ	NO SHORT DESC
836	.64 CU6PR P L Z / TEL	1/.9 6PR PVC TEL	NO SHORT DESC
837	.98 CU7PR Q Q H Z SW Z / T TR	1/.044 CU7PR QQHZ SWZ/TTR	NO SHORT DESC
838	.64 CU25PR P L Z / UT TEL	1/.9 CU25PR PILC PVC TEL	NO SHORT DESC
839	.64 CU6PR Z H Z / Q TEL	1/.9 (.64) CU6PR ZHZ/Q TEL	NO SHORT DESC
840	.64 CU30PR P L Z SW Z / Q TEL	1/.9 (.64) 30PR PILC PVC SA PVC	NO SHORT DESC
841	.64 CU30PR P L Z SW J / Q TEL	1/.9 (.64) 30PR PILC SA TEL	NO SHORT DESC
842	.64 CU30PR P L DB DW Z / Q TEL M	1/.9 (.64) 30PR DWA PVC/TEL SUB	NO SHORT DESC
843	2.1 CU4 Q + .64 CU8PR Q Q SW Z / Q TR	1/.064 CU4Q 1/.036 8PR/TEL QQZ SWZ/QTTR	NO SHORT DESC
844	2.1 CU4 Q + .66 CU8PR Q Q SW J / Q T TR	1/.064 CU4Q 1/.036 8PR TEL QQ SWJ/QTTR	NO SHORT DESC
845	1.29 CU6 R L / B	3/.029 CU RILC BUCH	NO SHORT DESC
846	2.1 CU4 Q + .66 CU8PR Q Q Z / Q T TR	1/.064 CU4Q 1/.036 8PR/TEL/QQZ/QTTR	NO SHORT DESC
847	2.1 CU4 Q + .66 CU8PR Q Q Z SW J / Q T TR	1/.064 CU4Q 1/.036 CU8PR/TEL/QQZ/SWJ/QTTR	NO SHORT DESC
848	1.5 CU4 Q Q L DB DW Z / TR M	1/1.38 (1.5) CU4 QQL DB DWZ/TR M	NO SHORT DESC
849	1.5 CU6 R L Z / B	1/1.38 (1.5) CU RILC PVC BUCH	NO SHORT DESC

Code	Known As	Old Description	Short Description
850	1.29 CU6 R L SW J / B	3/.029 CU RILC SWAS BUCH	NO SHORT DESC
851	1.5 CU6 R L / B	1/1.38 (1.5) RILC BUCH	NO SHORT DESC
852	3 CU8 Z Z	7/.029 CU PVC PVC 8C	NO SHORT DESC
853	3 CU12 Z Z	7/.029 CU PVC 12C	NO SHORT DESC
854	.98 CU4PR Q Z	1/.044 CU PVC 4PR	NO SHORT DESC
855	.64 CU6PR P L Z / Q TEL	1/.9 (.64) CU6PR PLZ/Q TEL	NO SHORT DESC
856	2.1 CU4 Q + .66 CU4PR Q Z SW J / TR	1/.064 CU4PR SA TEL	NO SHORT DESC
857	2.1 CU4 Q + .66 CU4PR Q Q Z / Q T TR	1/.064 CU6PR TRANS	NO SHORT DESC
858	1.5 CU4 Q Q Z DB DW Z / TR M	1/1.38 (1.5) CU4 QOZ DB DWZ/TR M	NO SHORT DESC
859	1.29 CU6 CM L / B	3/.029 (1.29) CU6 CAMBRIC BUCHHOLZ	NO SHORT DESC
860	1.27 CU4PR Q Q L Z NY / T TEL	1/.050 CU4PR NY TEL	NO SHORT DESC
861	.64 CU10 Z Z SW Z	1/.9 CU10 ZZ SWZ	NO SHORT DESC
862	1.5 CU4 Q + 1 CU8PR Q Q H Z NY / Q T TR	1/1.38 (1.5) CU8PR TR	NO SHORT DESC
863	2.5 CU12 Z Z	7/.67 CU12 PVC PVC	NO SHORT DESC
864	1.5 CU4 Q + .64 CU8PR Q Q Z NY / Q T TR	1/1.38 (1.5) CU8PR TR TEL	NO SHORT DESC
865	2.1 CU4 R L SW J / TR	1/.064 CU4 RILC SWAS	NO SHORT DESC
866	1.27 CU2PR Q Q H Q / Q TEL	1/.050 CU2PR QQHQ/Q TEL	NO SHORT DESC
867	.66 CU6PR P L Z / TEL	1/.036 CU6PR PVC TEL	NO SHORT DESC
868	.66 CU5PR P L / T TEL	1/.036 CU5PR LC TEL	NO SHORT DESC
869	.66 CU7PR Q Z / TEL	1/.036 CU7PR PVC TEL	NO SHORT DESC
870	.62 CU6PR P L / Q TEL	1/.035 CU6PR PILC TEL	NO SHORT DESC
871	2.1 CU4 Q + .66 CU8PR Q Q Z SW J / Q T TR	1/.064 CU10PR TRANS	NO SHORT DESC
872	2.1 CU4 Q + .66 CU8PR Q Q Z SW Z / Q T TR	1/.064 CU10PR TRANS	NO SHORT DESC
873	1.5 CU4 Q + 1 CU8PR Q Q Z SW J / Q / T / TR	1/1.38 (1.5) CU8PR TRANS	NO SHORT DESC
874	.66 CU10PR Q Q Z / Q TEL	1/.036 CU10PR PTH PVC	NO SHORT DESC
875	.98 CU10PR Q Q H L Z DT Z / T	1/.044 CU10PR QQHLZ DTZ/TTR	NO SHORT DESC
876	.66 CU10PR P L Z / TEL	1/.036 CU10PR PVC TEL	NO SHORT DESC
877	.66 CU10PR Q Q AL Z / T	1/.036 CU10PR QQ AL Z/T	NO SHORT DESC
878	.66 CU10PR P L Z SW Z / Q TEL	1/.036 CU10PR TEL	NO SHORT DESC
879	1.27 CU7PR P + .66 CU18PR P L	1/.050 CU7PR 1/.036 CU18PR PILC TEL	NO SHORT DESC
880	.66 CU15PR P L / TEL	1/.036 CU15PR PILC TEL	NO SHORT DESC
881	.66 CU20PR Q Q AL Z / T	1/.036 CU20PR QQ AL Z/T	NO SHORT DESC
882	.66 CU25PR P L Z / UT TEL	1/.036 CU25PR PVC TEL	NO SHORT DESC
883	.66 CU25PR P L / TEL	1/.036 CU25PR LC TEL	NO SHORT DESC
884	.64 CU25PR P L Z / T TEL	1/.9 (.64) CU25PR LC TEL	NO SHORT DESC
885	.66 CU25PR P L SW J / TEL	1/.036 CU25PR SA TEL	NO SHORT DESC
886	.66 CU26PR P L SW J / TEL	1/.036 CU26PR SA TEL	NO SHORT DESC
887	.64 CU10PR Q Q H Z NY / Q TEL	1/.9 (.64) CU10PR TEL	NO SHORT DESC
888	.66 CU28PR P L SW J / Q TEL	1/.036 CU28PR SWAS TEL	NO SHORT DESC
889	.32 CU30PR Z L Z / Q TEL	1/.64 CU30PR PVC TEL	NO SHORT DESC
890	132KV 1200 CU 1 XQ CU(WS) FO PA MQ YQ / EA2271/10		1200 CU1
891	1.27 CU18PR Q Q Z NY / Q TEL	1.27 CU18PR QQZ NY/Q TEL	NO SHORT DESC

Code	Known As	Old Description	Short Description
892	1.27 CU30PR Q Q H Z NY / Q TEL	1.27 CU30PR QQHZ NY/Q TEL	NO SHORT DESC
893	.66 CU30PR P L Z SW Z / Q TEL	1/036 CU30PR SA PVC TEL	NO SHORT DESC
894	.64 CU100PR Q P L Z / UT TEL	1/9 (.64) CU100PR QPLZ/UT TEL	NO SHORT DESC
895	.66 CU30PR P L Z SW J / Q TEL	1/036 CU30PR PILC SWAS	NO SHORT DESC
896	.66 CU30PR P L Z / TEL	1/036 CU30PR PILC PVC	NO SHORT DESC
897	.29 CU30PR Z L Z / Q TEL	1/024 CU30PR QUAD PVC LC	NO SHORT DESC
898	2.1 CU30PR Q Q Z SW J / TEL	1/064 CU30PR PTH PVC SWAS	NO SHORT DESC
899	.66 CU50PR Q Q AL Z / T	1/036 CU50PR QQ AL Z/T	NO SHORT DESC
900	.32 CU50PR Z Q L Z / Q TEL	1/64 CU50PR ZQLZ/Q TEL	NO SHORT DESC
901	.66 CU50PR P L / Q TEL	1/036 CU50PR PILC	NO SHORT DESC
902	.66 CU50PR P L Z / Q TEL	1/036 CU50PR PILC PVC	NO SHORT DESC
903	.66 CU50PR P L Z SW J / Q TEL	1/036 CU50PR PILC SWAS	NO SHORT DESC
904	.29 CU50PR Q L Z / Q TEL	1/024 CU50PR PVC LC PVC	NO SHORT DESC
905	.64 CU50PR P L Z / Q TEL	1/9 (.64) CU50PR PVC TEL	NO SHORT DESC
906	.64 CU50PR P L Z SW J / Q TEL	1/9 (.64) CU50PR SA TEL	NO SHORT DESC
907	1.27 CU54PR P L	1/050 CU54PR LC	NO SHORT DESC
908	.66 CU75PR P L / Q TEL	1/036 CU75PR LC	NO SHORT DESC
909	.66 CU100PR P L / TEL	1/036 CU100PR LC	NO SHORT DESC
910	.66 CU100PR P L Z / Q TEL	1/036 CU100PR PILC PVC	NO SHORT DESC
911	.66 CU100PR P L Z SW J / Q TEL	1/036 CU100PR PILC SWAS	NO SHORT DESC
912	.66 CU100PR P L DW J / M TEL	1/036 CU100PR PILC DWAS (SUB)	NO SHORT DESC
913	.29 CU100PR Z Z L Z / Q TEL	1/024 CU100PR QUAD/PVC LC PVC	NO SHORT DESC
914	.64 CU30PR Q Q AL Z / UT	1/9 (.64) CU30PR QQ AL Z/UT	NO SHORT DESC
915	.98 CU15PR Q Q L Z DT Z / T TR	1/044 CU15PR QQLZ DTZ/TTR	NO SHORT DESC
916	4 CU10PR Z Z SW Z	7.85 CU10PR SA PVC	NO SHORT DESC
917	.64 CU30PR Q Q Z / Q CAT	1/9 (.64) CU30PR QQ Z/Q CAT (UG)	NO SHORT DESC
918	.64 CU30PR Q Q H Z / Q CAT	1/9 (.64) CU30PR QQHZ/Q CAT (UG)	NO SHORT DESC
919	.64 CU30PR Q Q H Q / T	1/9 (.64) CU30PR QQHQ/T	NO SHORT DESC
920	.66 CU200PR P L Z / Q TEL	1/036 CU200PR PVC TEL	NO SHORT DESC
921	.66 CU200PR P L Z SW J / Q TEL	1/036 CU200PR SA TEL	NO SHORT DESC
922	.66 CU200PR Q Q Q SW Z / TEL	1/036 CU200PR PTH SWA/PVC	NO SHORT DESC
923	.66 CU200PR Q Q H Q SW Z / Q TEL	1/036 CU200PR QQHQ SWZ/Q TEL	NO SHORT DESC
924	.66 CU10PR Q Q Z / CAT	1/9 CU10PR QQZ/CAT	NO SHORT DESC
925	.64 CU100PR P L Z / Q TEL	1/9 CU100PR PLZ/Q TEL	NO SHORT DESC
926	.64 CU15PR P L Z / TEL	1/9 CU15PR PLZ/TEL	NO SHORT DESC
927	.64 CU10PR Q Q H Q / Q TEL	1/9 CU10PR QQHZ/Q TEL	NO SHORT DESC
928	.64 CU400PR P L Z / UT TEL	1/9 CU400PR TRUNK PILC PVC	NO SHORT DESC
929	.64 CU100PR P L Z / TEL	1/9 CU100PR PLZ/TEL	NO SHORT DESC
930	.66 CU400PR P L Z / UT TEL	1/036 CU400PR TRUNK PILC PVC	NO SHORT DESC
931	.64 CU400PR P L Z / UT TEL	1/9 CU400PR PLZ/UT TEL	NO SHORT DESC

Code	Known As	Old Description	Short Description
932	.64 CU6PR P L / Q TEL	1/.9 CU6PR LC	NO SHORT DESC
933	.64 CU10PR Q Q Z / UT TEL	1/.9 CU10PR PVC TEL	NO SHORT DESC
934	.64 CU10PR Q Q SW J / UT TEL	1/.9 CU10PR QQ SWJ/Q TEL	NO SHORT DESC
935	.64 CU25PR P L Z / Q TEL	1/.9 CU25PR PILC PVC TEL	NO SHORT DESC
936	.66 CU26PR P L / TEL	1/.036 CU26PR LC TEL	NO SHORT DESC
937	.64 CU10PR CQ MB / F UT TEL	1/.9 CU10PR CQ F MB/UT TEL	NO SHORT DESC
938	.64 CU30PR CQ / F MB / UT / TEL	1/.9 CU30PR CQ F MB/UT TEL	NO SHORT DESC
939	.64 CU50PR CQ MB / F UT TEL	1/.9 CU50PR CQ F MB/UT TEL	NO SHORT DESC
940	1.27 CU46PR Q Q H Q / Q TEL	1.050 CU46PR PTH	NO SHORT DESC
941	.64 CU100PR CQ / F MB / UT / TEL	1/.9 CU100PR CQ F MB/UT TEL	NO SHORT DESC
942	.64 CU100PR Q MB / UT TEL	1/.9 CU100PR Q MB/UT TEL	NO SHORT DESC
943	.64 CU200PR Q MB / UT TEL	1/.9 CU200PR Q MB/UT TEL	NO SHORT DESC
944	.64 CU200PR Q P L Z / UT TEL	1/.9 CU200PR QPLZ /UT TEL	NO SHORT DESC
945	1.27 CU80PR Q Q H Q / Q TEL	1/.050 CU80PR PTH	NO SHORT DESC
946	5 CU10PR Z Z SW Z / T	7/.036 CU10PR SWA PVC	NO SHORT DESC
947	.64 CU10PR Q P L Z / UT TEL	1/.9 CU10PR QPLZ /UT TEL	NO SHORT DESC
948	.64 CU400PR Q P L Z / UT TEL	1/.9 CU400PR QPLZ /UT TEL	NO SHORT DESC
949	.64 CU8PR Q Q H Q SW Q NY / T	1/.9 CU8PR QQHQ SWQ NY/T	NO SHORT DESC
950	2.1 CU4 SW / CAT TR	1/.050 CU SAAT (OH)	2.1 SW/CAT
951	132KV 1200 CU 1 XQ CU(WS) PA MQ LSZH / EA2271/10		1200 CU1
952	.64 CU8PR Q Q H Q SW Q NY / T	1/.9 CU8PR QQHQ SWQ NY/T	NO SHORT DESC
953	33KV 800 CU 1 XQ CU(WS) 13.1KA MT PA MQ YQ / EA2271/10		800 CU1
954	1.38 CU10PR Q Q H Z NY / TEL / #1292/01		1.38 CU10PR
955	33KV 300 CU 1 XQ CU(WS) 25KA FO PA WQ YQ / EA2271/10		300 CU1
956	33KV 300 CU 1 XQ CU(WS) 25KA PA WQ LSZH / EA2271/10		300 CU1
957	33KV 300 CU 1 XQ CU(WS) 13.1KA MT PA MQ YQ / EA2271/10		300 CU1
958	33KV 300 CU 1 XQ CU(WS) 13.1KA MT PA MQ LSZH / EA2271/10		300 CU1
959	33KV 630 CU 1 XQ CU(WS) 25KA FO MT PA MQ YQ / EA2271/10		630 CU1
960	.66 CU10PR Q Q Z / CAT	1/.036 CU10PR PTH PVC OH CAT	NO SHORT DESC
961	.66 CU10PR Q Q Z / Q CAT	1/.036 CU10PR PTH PVC OH CAT	NO SHORT DESC
962	.64 CU10PR Q Q H Q / T CAT	1/.9 CU10PR QQHQ /T/CAT	NO SHORT DESC
963	33KV 630 CU 1 XQ CU(WS) 25KA MT PA MQ LSZH / EA2271/10		630 CU1
964	33KV 630 CU 1 XQ CU(WS) 13.1KA FO MT PA MQ YQ / EA2271/10		630 CU1
965	2.1 CU10PR Q Q Z / Q CAT	1/.064 CU10PR PTH PVC OH CAT	NO SHORT DESC
966	33KV 630 CU 1 XQ CU(WS) 13.1KA MT PA MQ LSZH / EA2271/10		630 CU1
967	33KV 300 CU 3 XQ CU(WS) 25KA FO PA Z YQ / EA2271/10		300
968	1.27 CU18PR Q Q H Z NY / Q TEL CAT	1/.050 CU18PR QQHZ NY/Q TEL/CAT	NO SHORT DESC
969	.64 CU30PR Q Q H Q / T CAT	1/.9 CU30PR QQHQ/T/CAT	NO SHORT DESC
970	.66 CU30PR Q Q Z / Q CAT	1/.036 CU30PR PTH PVC OH	NO SHORT DESC

Code	Known As	Old Description	Short Description
		CAT	
971	.66 CU5PR Z H Z / T CAT	1/.036 CU5PR ZHZ/T/CAT	NO SHORT DESC
972	.66 CU10PR Z H Z / T CAT	1/.036 CU10PR ZHZ/T/CAT	NO SHORT DESC
973	.66 CU15PR Z H Z / T CAT	1/.036 CU15PR ZHZ/T/CAT	NO SHORT DESC
974	.66 CU20PR Z H Z / T CAT	1/.036 CU20PR ZHZ/T/CAT	NO SHORT DESC
975	.66 CU6PR Z H Z / T CAT	1/.036 CU6PR ZHZ/T/CAT	NO SHORT DESC
976	.64 CU10PR Q H Q / T CAT	1/.044 CU7PR QQHZ SWZ/TTR/CAT	NO SHORT DESC
977	.64 CU100PR P L Z SW J / Q TEL	1/.9 CU100PR PLZ SWJ/Q TEL	NO SHORT DESC
978	.64 CU100PR P L Z DW J / Q M TEL	1/.9 CU100PR PLZ DWJ/Q M TEL	NO SHORT DESC
979	.32 CU100PR Z Z L Z / Q TEL	1/.64 CU100PR ZZLZ /Q TEL	NO SHORT DESC
980	.98 CU7PR Q Q H Z SW Z / T TR CAT	1/.044 CU7PR QQHZ SWZ/TTR/CAT	NO SHORT DESC
981	.64 CU30PR CQ MB / F / UT / TEL	1/.9 CU30PR CQ MB /F/UT/TEL	NO SHORT DESC
982	.64 CU10PR Q Q Z SW Z / Q	1/.9 CU10PR QQZ SWZ/Q	NO SHORT DESC
983	.64 CU100PR CQ MB / F UT TEL	1/.9 CU100PR CQ MB/ F UT TEL	NO SHORT DESC
984	.64 CU6PR Q Q / UT	1/.9 CU6PR QQ /UT	NO SHORT DESC
985	.64 CU50PR Q L Z SW J / UT TEL	1/.9 CU50PR QLZ SWJ/UT TEL	NO SHORT DESC
986	.64 CU200PR Q Q Z SW Z / Q TEL	1/.9 CU200PR QQZ SWZ /Q TEL	NO SHORT DESC
987	.64 CU100PR Q L Z SW J / UT TEL	1/.9 CU100PR QLZ SWJ /UT TEL	NO SHORT DESC
988	33KV 800 CU 1 XQ CU(WS) 25KA FO MT PA MQ YQ / EA2271/10		800 CU1
989	.64 CU15PR Z Z / TEL	1/.9 CU15PR ZZ /TEL	NO SHORT DESC
990	.2 CU6PR Z Z / TEL	n/a	NO SHORT DESC
991	.3 CU2 Z / T TEL	n/a	NO SHORT DESC
992	.64 CU200PR P L Z / Q TEL	1/.9 CU200PR PLZ /Q TEL	NO SHORT DESC
993	.2 CU2PR Z Z / Q TEL	n/a	NO SHORT DESC
994	.2 CU10PR Z Z / Q TEL	n/a	NO SHORT DESC
995	.2 CU25PR Z Z / Q TEL	n/a	NO SHORT DESC
996	33KV 800 CU 1 XQ CU(WS) 25KA MT PA MQ LSZH / EA2271/10		800 CU1
997	33KV 300 CU 3 XQ CU(WS) 13.1KA FD PA Z LSZH / EA2271/10		300
998	.64 CU2PR Z Z / TEL	1/.9 CU2PR ZZ /TEL	NO SHORT DESC
999	1.5 CU6 R L Z	1/1.38 CU6 RLZ	NO SHORT DESC
1000	33KV 500 CU 3 XQ CU(WS) 25KA FO PA Z YQ / EA2271/10		500
1001	22KV 39 CU3 P H L SW J	.06 SA	NO SHORT DESC
1002	33KV 500 CU 3 XQ CU(WS) 25KA FD PA Z LSZH / EA2271/10		500
1003	33KV 500 CU 3 XQ CU(WS) 13.1KA FO PA Z YQ / EA2271/10		500
1004	33KV 500 CU 3 XQ CU(WS) 13.1KA FD PA Z LSZH / EA2271/10		500
1005	22KV 65 CU3 P H L SW J	n/a	NO SHORT DESC.1 SA
1006	132KV 800 CU 1 XQ SEMI COND. FO CAS Z LSZH / EA2271/10		800 CU1
1007	132KV 800 CU 1 XQ MT CU(WS) FO PA MQ LSZH / EA2272/10		800 CU1
1008	415V 16 CU 1 Z Z / 3 CABLES	n/a	3x16
1009	132KV 1200 CU 1 XQ SEMI COND. FO CAS Z LSZH / EA2271/10		1200 CU1

Code	Known As	Old Description	Short Description
1010	22KV 65 CU3 P H L	.1 LC	NO SHORT DESC
1011	132KV 1200 CU 1 XQ CU(WS) FO PA MQ LSZH / EA2271/10		1200 CU1
1012	33KV 300 CU 3 XQ CU(WS) 25KA FD PA Z LSZH / EA2271/10		300
1013	33KV 300 CU 3 XQ CU(WS) 13.1KA FO PA Z YQ / EA2271/10		300
1014	33KV 300 CU 1 XQ CU(WS) 25KA FO PA WQ LSZH / EA2271/10		300 CU1
1015	22KV 97 CU3 P H L SW J	.15 SA	NO SHORT DESC
1016	22KV 97 CU3 P L DW J	.15 CU3 PL DWJ	NO SHORT DESC
1017	33KV 300 CU 1 XQ CU(WS) 13.1KA FO MT PA MQ LSZH / EA2271/10		300 CU1
1018	33KV 630 CU 1 XQ CU(WS) 25KA FO MT PA MQ LSZH / EA2271/10		630 CU1
1019	33KV 630 CU 1 XQ CU(WS) 13.1KA FO MT PA MQ LSZH / EA2271/10		630 CU1
1020	22KV 129 CU3 P H L SW J	.2 SA	NO SHORT DESC
1021	33KV 800 CU 1 XQ CU(WS) 25KA FO MT PA MQ LSZH / EA2271/10		800 CU1
1022	33KV 800 CU 1 XQ CU(WS) 13.1KA FO MT PA MQ YQ / EA2271/10		800 CU1
1023	33KV 800 CU 1 XQ CU(WS) 13.1KA MT PA MQ LSZH / EA2271/10		800 CU1
1024	33KV 300 CU 3 XQ CU(WS) 25KA FO PA Z LSZH / EA2271/10		300
1025	22KV 161 CU3 P L SW J	.25 SA	NO SHORT DESC
1026	33KV 300 CU 3 XQ CU(WS) 13.1KA FO PA Z LSZH / EA2271/10		300
1027	33KV 500 CU 3 XQ CU(WS) 25KA FO PA Z LSZH / EA2271/10		500
1028	33KV 500 CU 3 XQ CU(WS) 13.1KA FO PA Z LSZH / EA2271/10		500
1029	33KV 800 CU 1 XQ CU(WS) 13.1KA FO MT PA MQ LSZH / EA2271/10		800 CU1
1030	22KV 226 CU3 P H SL SW J	.35 SA	NO SHORT DESC
1031	11KV 240 CU 3 XQ CU(WS) 13.1KA Z YQ L Z BRT SW YQ		240 CU 3
1032	132KV 1600 CU 1 XQ SEMI COND. CAS Z YQ / AG3235/11		1600 CU1
1033	132KV 1200 CU 1 XQ SEMI COND. CAS Z YQ / AG3235/11		1200 CU1
1034	33KV 300 CU 3 XQ PA CU(WS) 25KA Z YQ / #7488/05A		300
1035	22KV 226 CU3 P H L SW J	.35 SA SCR	NO SHORT DESC
1036	415V 185 CU 1 CER HFPO / Olex		
1037	415V 25 AAC 2 XQ / ABC + 25 AAC 2 XQ / ABC		2x25 AL2 ABC
1038	66KV 800 CU 1 XQ MB CAS Z YQ / AG3235/11		800
1040	22KV 226 CU3 P H L SW J / M	.35 SA (SUB)	NO SHORT DESC
1041	240V 10 CU 2 Z Z / + EARTH		10 x 2C
1042	BOND 300 CU 1 XQ CU(WS) XQ Z / BOND / AG3235/11		BOND
1049	415V 16 CU 4 XQ Z / App 1120		16
1050	415V 50 CU 4 XQ Z / App 1120		50
1051	132KV 1200 CU 1 XQ SEMI COND. FO CAS YQ YQ / EA1494/10		1200 CU1
1052	11KV 400 AL 3 XQ MB 35 CU(WS) Z YQ / ISC / App 1087		400 AL
1053	415V 185 CU1 XQ Z / 3 CABLES + 70 CU1 XQ Z / NEUTRAL		185 x 3 + 70
1054	415V 150 CU 1 Z / 7 CABLES		150 x 7
1056	330KV 2000 CU 1 XQ MB CAS MQ B NY MQ / 9S4 fdr		330KV 2000 CU1

Code	Known As	Old Description	Short Description
1057	9 SM 60 NYT F RC MT Q NY / OPTIC / Olex		
1058	11KV 300 AL 3 XQ MB CU(WS) Z YQ / ISC / EA1370T/00/2005		300 AL
1059	132KV 400 CU 1 XQ MT 186 CU(WS) Z YQ / #SYE287-94		400 CU1
1060	132KV 1200 CU 1 XQ CU(WS) PA MQ YQ / AG1494		1200 CU1
1061	587 AAAC 6 / 2 COND/PH		6 x 587 AL BUND
1062	66KV 300 CU 1 XQ CU(WS) 25KA MT PA Z YQ / EA2271/10		300 CU1
1063	157 AAC1	1x19/3.25AL	1x157AL
1066	9 SM 144 NYT F RC MT NY Q / OPTIC / EA1610/ 10 / Taihan		OPTIC/144F
1081	/3rd Party / Using / Ausgrid / Overhead / 3RD DEFAULT		
1082	9.9 SM 96 NYT F RC Q GC Q NY / OPTIC / CORN		OPTIC/96F
1100	33KV 999.99 CU3 / 33DEFAULT		999.99 CU3
1101	33KV 46 CU3 P L	.072 LC	NO SHORT DESC
1102	33KV 97 CU3 P H L SW J	.15 SA	NO SHORT DESC
1103	33KV 97 CU3 P L SW J	.15 BELTED SA	NO SHORT DESC
1104	33KV 97 CU3 P L	.15 LC	NO SHORT DESC
1105	33KV 97 CU3 P H L	.15 LC SCR	NO SHORT DESC
1106	33KV 161 CU1 P H L	.25 LC SCR	NO SHORT DESC
1107	33KV 161 CU1 P H L Z	.25 PILC PVC SCR	NO SHORT DESC
1108	33KV 161 CU3 P L SW J	.25 SA	NO SHORT DESC
1109	33KV 161 CU3 P SL SW J	.25 SA	NO SHORT DESC
1110	33KV 161 CU3 P H SL SW J	.25 HSL SWAS	NO SHORT DESC
1111	33KV 161 CU3 P H L SW J	.25 SA	NO SHORT DESC
1112	33KV 161 CU3 P H SL Z	.25 HSL PVC SCR	NO SHORT DESC
1113	33KV 161 CU3 P L	.25 LC	NO SHORT DESC
1114	33KV 161 CU3 P L DW J / M	.25 DA	NO SHORT DESC
1115	33KV 161 CU3 P H L DW J / M	.25 PILC DWAS (SUB)	NO SHORT DESC
1116	33KV 161 CU3 P L SW J / M	.25 SA (SUB)	NO SHORT DESC
1117	33KV 161 CU3 H P H AL R J DT J / GP	.25 PIAC/DT GP	NO SHORT DESC
1118	33KV 161 CU3 P H L DT R J / GP	.25 DT GP	NO SHORT DESC
1119	33KV 161 CU3 H P H AL R J / GP	.25 PIAC GP	NO SHORT DESC
1120	33KV 161 CU3 H P H AL Z DT J / GP	.25 PIAC/DTA PVC /GP	NO SHORT DESC
1121	33KV 194 CU3 P H L DT L J / OF	.3 DT OF	NO SHORT DESC
1122	33KV 150 CU3 P H SL SW J	150 HSL SWAS	NO SHORT DESC
1123	33KV 161 CU3 P H SL SW Z	.25 PILC SWA/PVC	NO SHORT DESC
1124	33KV 226 CU1 P H L	.35 LC SCR	NO SHORT DESC
1125	33KV 226 CU1 P H L Z	.35 PILC PVC SCR	NO SHORT DESC
1126	33KV 226 CU3 P L SW J	.35 SA	NO SHORT DESC
1127	33KV 95 CU3 P H L DB J / OF	95 CU3 PHL DBJ/OF	NO SHORT DESC
1128	33KV 240 CU3 P H SL SW Z	240 HSL SWZ	NO SHORT DESC
1129	33KV 240 CU3 P H SL SW J	240 HSL SA	NO SHORT DESC
1130	33KV 226 CU3 P H SL SW J	.35 HSL SWAS	NO SHORT DESC
1131	33KV 226 CU3 P H SL SW Z	.35 HSL SWZ	NO SHORT DESC
1132	33KV 161 CU3 P H SL DW J / M	.25 CU3 PHSL DWJ/M	NO SHORT DESC



Code	Known As	Old Description	Short Description
1133	33KV 258 CU3 P H AL Z / GP	.4 CU3 PHALZ/GP	NO SHORT DESC
1134	33KV 150 CU1 P H L Z / #1270Q/00	150 PVC SING	NO SHORT DESC
1135	33KV 150 CU3 P H AL Z DT J / GP	150 CU3 PHALZ DTJ/GP	NO SHORT DESC
1136	33KV 258 CU3 P H AL R DT J / GP	.4 CU3 PHALR DTJ/GP	NO SHORT DESC
1137	33KV 97 CU3 P H L DW J	.15 DW	NO SHORT DESC
1138	33KV 97 CU3 P H L DB J / OF	.15 DB OF	NO SHORT DESC
1139	33KV 300 CU3 P H L SW Z	300 CU3 LC SA PVC	NO SHORT DESC
1140	33KV 400 CU3 P H AL Z DT J / GP	400 PIAC/DTA GP	NO SHORT DESC
1141	33KV 451 AL3 P H AL Z DT J / GP	.7 AL3 PHALZ DTJ/GP	NO SHORT DESC
1142	33KV 194 CU3 P H L DB Z J / OF	.3 DB PVC/OF	NO SHORT DESC
1143	33KV 240 CU1 P H L Z	240 CU1 PHLZ	NO SHORT DESC
1144	33KV 354 AL3 P H L DB J / GP	.55 AL3 PHL BRONZE TAPED ARM.JUTE/GP(EC. E.C.)	NO SHORT DESC
1145	33KV 387 CU3 P H AL Z DT J / GP	.6 PIAC/DTA/PVC/GP	NO SHORT DESC
1146	33KV 387 CU3 P H AL DT J / GP	.6 CU3 PH AL DTJ/GP	NO SHORT DESC
1147	33KV 258 CU1 P H AL Z / GP	.4 CU1 PHALZ/GP	NO SHORT DESC
1148	33KV 323 CU3 P H L SW J	.5 CU3 PHL SWJ	NO SHORT DESC
1149	33KV 323 CU1 P H L J	.5 CU1 PLJ	NO SHORT DESC
1150	33KV 387 CU1 P H AL Z / GP	.6 PIAC PVC/GP	NO SHORT DESC
1151	33KV 300 CU3 P H L SW J	300 CU3 PHL SWZ	NO SHORT DESC
1152	33KV 323 CU3 P H SL SW Z	.5 CU3 PHL SWZ	NO SHORT DESC
1153	33KV 161 CU1 P H AL Z / GP	.25 CU1 PHALZ/GP	NO SHORT DESC
1154	33KV 194 CU3 P H SL SW J	0.3 CU3 PHSL SWJ	194
1155	33KV 300 CU3 P H SL Z	300 CU3 PHSLZ	NO SHORT DESC
1156	33KV 240 CU3 P H SL SW	240 CU3 PHSL SW	NO SHORT DESC
1157	33KV 120 CU3 XQ H Z YQ	120 CU3 XQ H Z YQ	NO SHORT DESC
1158	33KV 258 AL1 P H L Z	.4 AL1 PHL	NO SHORT DESC
1159	33KV 484 AL1 P H L Z	.75 AL1 PHLZ	NO SHORT DESC
1160	33KV 484 CU1 P H L Z	.75 PILC PVC SCR	NO SHORT DESC
1161	33KV 323 CU1 P H L J	.5 CU1 PHLJ	NO SHORT DESC
1162	33KV 150 CU3 P H SL SW Z	150 CU3 PHSL SWZ	NO SHORT DESC
1163	33KV 240 CU3 G XQ G CU(WS) Z YQ	240 CU3 XLPE PVC	240 CU3
1164	33KV 161 CU3 P H SL SW J / M	161 CU3 PHSL SWJ/M	NO SHORT DESC
1170	33KV 300 CU1 G XQ G CU(WS) Z YQ / HDS / #SYE192-94 / #OLEX	33KV XLPE S/C CABLE-SYE 192/94 OLEX	NO SHORT DESC
1171	33KV 300 CU1 G XQ G CU(WS) Z YQ / HDS / #SYE192-94 / #PIR	300MM2 S/C XLPE CABLE-SYE192/PIRELLI	NO SHORT DESC
1172	33KV 300 CU3 G XQ G CU(WS) Z YQ / LDS / #SYE192-94 / #OLEX	300MM2 3 CORE XLPE CABLE(OLEX) SYE192/94	NO SHORT DESC
1173	33KV 323 CU2 P H L SW J / 2 CRTS./PH	2 X .5CU3 PHLZ	323 CU2
1174	33KV 300 CU1 P H L Z / 3 CABLES	300 CU1 PHLZ	3x300
1175	33KV 300 CU1 P H L Z / 6 CABLE	300 CU1 PHLZ	6x300
1176	33KV 500 CU1 P H L Z	500 CU1 PHLZ	NO SHORT DESC
1178	33KV 645 AL1 P H L Z	1.0 AL1 PHLZ	NO SHORT DESC
1179	33KV 630 CU1 P H L Z	630 CU1 PHLZ	NO SHORT DESC



Code	Known As	Old Description	Short Description
1180	33KV 645 CU1 P H L Z	1.0 PILC PVC SCR	NO SHORT DESC
1181	33KV 968 AL1 P H L Z	1.5 AL1 PHLZ	NO SHORT DESC
1182	33KV 548 AL1 P H L Z	.85 AL1 PHLZ	NO SHORT DESC
1183	33KV 500 AL1 P H L Z	500 AL1 PHLZ	NO SHORT DESC
1184	33KV 630 AL1 P H L Z	630 AL1 PHLZ	NO SHORT DESC
1185	33KV 645 CU1 P H L J	1.0 CU1 PHLJ	NO SHORT DESC
1186	33KV 645 AL1 P H L J	1.0 AL1 PHLJ	NO SHORT DESC
1188	33KV 800 AL1 P H L Z	800 AL1 PHLZ	NO SHORT DESC
1189	33KV 1000 AL1 P H L Z	1000 AL1 PHLZ	NO SHORT DESC
1190	33KV 1000 CU1 P H L Z	1000 CU1 PHLZ	NO SHORT DESC
1191	33KV 1200 CU1 G XQ G CU(WS 178) Z YQ / #EA567/98		1200
1195	33KV 258 CU3 P H L Z / OF	0.4 CU3 P H L Z / OF	258
1201	33KV 630 CU1 G XQ G CU(WS 180) Z YQ / #EA567/98 / 1 PT BOND		300
1203	33KV 300 CU1 G XQ G CU(WS 69) Z YQ / #EA567/98		300
1204	33KV 300 CU3 G XQ G FO CU(WS) Z YQ / #EA1015/00		300 CU3
1205	33KV 630 CU1 G XQ G CU(WS) Z YQ		630
1301	66KV 387 CU1 P H L DB Z / OF	.6 CU1 PHLZ/OF	NO SHORT DESC
1302	66KV 999.99 CU3 / 66DEFAULT		999.99 CU3
1305	66KV 484 CU1 P H L DB Z / OF	.75 PILC OF	NO SHORT DESC
1391	66KV 3x1301	n/a	3x387
1392	66KV 3x1305	n/a	3x484
1400	132KV 999.99 CU3 / 132DEFAULT		999.99 CU3
1401	132KV 387 CU1 H P H AL Z / OF / #1971	.6 PIAC OF	NO SHORT DESC
1402	132KV 387 CU1 H P H AL YQ / OF / #3961	.6 PIAC OF	NO SHORT DESC
1403	132KV 194 CU3 H P H L DRT Z / OF / #1194	n/a	NO SHORT DESC
1404	132KV 194 CU3 H P H L BT Z SW J / M / OF / #1194	n/a	NO SHORT DESC
1405	132KV 240 CU1 H P H AL Z / GP / #3006	n/a	NO SHORT DESC
1406	132KV 387 CU1 H P H AL Q / OF / #3665	.6 PIAC PVC OF	NO SHORT DESC
1407	132KV 387 CU1 H P H L BT Z / OF / #1364	n/a	NO SHORT DESC
1408	132KV 371 CU3 H P H L BT Z / OF / #1194	n/a	NO SHORT DESC
1409	132KV 355 CU1 H P H AL Z / OF / #1353	n/a	NO SHORT DESC
1410	132KV 355 CU1 H P H L BT Z SW Z / M / OF / #1353	n/a	NO SHORT DESC
1411	132KV 399 CU1 H P H AL Z / OF / #4417	.62 PIAC OF	NO SHORT DESC
1412	132KV 194 CU3 H P H L DT R J / GP / #E268	n/a	NO SHORT DESC
1413	132KV 419 CU1 H P H AL Z / OF / #1947	n/a	NO SHORT DESC
1414	132KV 426 CU1 H P H AL Z / OF / #2058	n/a	NO SHORT DESC
1415	132KV 419 CU3 H P H L BT Z / OF / #1194	n/a	NO SHORT DESC
1416	132KV 429 CU1 H P H AL Z / OF / #2111	.665 PIAC OF	NO SHORT DESC
1417	132KV 429 CU1 H P H AL Z / OF / #2209	.665 PIAC OF	NO SHORT DESC
1418	132KV 429 CU1 H P H AL Z / OF / #2209(S)	.665 PIAC OF	NO SHORT DESC
1419	132KV 429 CU1 H P H AL YQ / OF / #2016	n/a	NO SHORT DESC
1420	132KV 429 CU1 H P H AL Z / OF / #2251	n/a	NO SHORT DESC

Code	Known As	Old Description	Short Description
1421	132KV 426 CU1 H P H AL Z / OF / #2058(S)	.66 PIAC OF	NO SHORT DESC
1422	132KV 426 CU1 H P H AL Z / OF / #2058(2S)	.66 PIAC OF	NO SHORT DESC
1423	132KV 430 CU1 H P H AL Z / OF / #2404	n/a	430 CU1
1424	132KV 430 CU1 H P H AL Z / OF / #2405	n/a	NO SHORT DESC
1425	132KV 484 CU1 H P H AL Z / OF / #1947	n/a	NO SHORT DESC
1426	132KV 645 CU1 H P H AL Z / OF / #2209	1.0 PIAC OF	NO SHORT DESC
1427	132KV 430 CU1 H P H AL Z / OF / #2767_1/2	n/a	NO SHORT DESC
1428	132KV 429 CU1 H P H AL Z / OF / #2251(S)	n/a	NO SHORT DESC
1429	132KV 429 CU1 H P H AL Z / OF / #2245	n/a	NO SHORT DESC
1430	132KV 429 CU1 H P H AL Z / OF / #2110	n/a	NO SHORT DESC
1431	132KV 1181 CU1 H P H AL Z / OF / #2111 / DUCT	1.8 PIAC OF	NO SHORT DESC
1432	132KV 419 CU1 H P H AL XQ / OF / #1455	n/a	NO SHORT DESC
1433	132KV 420 CU1 H P H AL Z / OF / #2314	n/a	NO SHORT DESC
1436	132KV 400 CU1 H P H AL Z / OF / #4598	400 PIAC OF	NO SHORT DESC
1437	132KV 400 CU1 H P H AL Z / OF / #4973	400 PIAC OF	NO SHORT DESC
1438	132KV 400 CU1 H P H AL Z / OF / #5000	400 PIAC OF	NO SHORT DESC
1439	132KV 400 CU1 H P H AL Z / OF / #5280	400 PIAC OF	NO SHORT DESC
1440	132KV 400 CU1 H P H AL Z / OF / #5372	400 CU1 HPH AL Z/OF/#5372	NO SHORT DESC
1441	132KV 400 CU1 H P H AL Z / OF / #5385	400 CU SING PVC /OF	NO SHORT DESC
1442	132KV 400 CU1 H P H AL Z / OF / #5666	400 CU1 HPH AL Z/OF/#5666	NO SHORT DESC
1445	132KV 420 CU1 H P H AL Z / OF / #2207	n/a	NO SHORT DESC
1455	132KV 429 CU1 H P H AL Z / OF / #1443	n/a	NO SHORT DESC
1460	132KV 430 CU1 H P H AL Z / OF / #5374	430 CU1 HPH AL Z/OF/#5374	NO SHORT DESC
1461	132KV 435 CU3 H P H L DRT Z / OF / #1443	n/a	NO SHORT DESC
1462	132KV 435 CU3 H P H L DRT Z SW Z / M / OF / #1443	n/a	NO SHORT DESC
1463	132KV 435 CU3 H P H L BT YQ SW YQ / M / OF / #2016	n/a	NO SHORT DESC
1470	132KV 580.6 CU1 H P H AL Z / OF / #1443	n/a	NO SHORT DESC
1474	132KV 645 CU1 H P H AL Z / OF / #2404	n/a	NO SHORT DESC
1475	132KV 645 CU1 H P H AL YQ / OF / #2016	n/a	NO SHORT DESC
1480	132KV 800 CU1 H P H AL Z / OF / #5280	800 PIAC OF	NO SHORT DESC
1481	132KV 800 CU1 H P H AL Z / OF / #5385	800 CU SING PVC/OF	NO SHORT DESC
1482	132KV 800 CU1 H P H AL Z / OF / #5431	800 PIAC OF	NO SHORT DESC
1483	132KV 800 CU1 H P H AL Z / OF / #5371	800 CU1 HPH AL Z/OF/#5371	NO SHORT DESC
1484	132KV 800 CU1 G XQ G CU(WS) YQ / #432/96		800 CU1
1485	132KV 800 CU1 G XQ G CU(WS 240) MB FO SS Z YQ / #1265		800
1486	132KV 800 CU1 G XQ G CU(WS 240) PA MQ YQ / #1265 / DUCT	FDRS: 240, 241, 92A(3) & 92B(	800
1525	132KV 1000 CU1 H P H AL Z / OF / #2767_2/2	n/a	NO SHORT DESC
1526	132KV 1000 CU1 H P H AL Z / OF / #3653	n/a	NO SHORT DESC
1527	132KV 1200 CU1 H P H AL Z / OF / #3653	n/a	NO SHORT DESC
1529	132KV 1150 CU1 P H AL Z / OF / #5345	1150 PIAC OF	NO SHORT DESC
1530	132KV 1150 CU1 H P H AL Z / OF / #5385	1150 CU SING PVC /OF	NO SHORT DESC
1531	132KV 1150 CU1 H P H L DRT Z SF Q DT Z / OF M / #5385	1150CU SING PVC/OF/#5385	NO SHORT DESC

Code	Known As	Old Description	Short Description
1532	132KV 1200 CU1 H P H AL Z / OF / #2527	n/a	1200
1533	132KV 1200 CU1 H P H AL Z / OF / #2251(S)	n/a	NO SHORT DESC
1534	132KV 1200 CU1 H P H AL Z / OF / #2568	n/a	NO SHORT DESC
1535	132KV 1613 CU1 H P H AL Z / OF / #1947	n/a	NO SHORT DESC
1536	132KV 1200 CU1 H P H AL Z / OF / #2767_2/2	n/a	NO SHORT DESC
1537	132KV 1200 CU1 H P H AL Z / OF / #2251	n/a	NO SHORT DESC
1538	132KV 1200 CU1 H P H AL Z / OF / #2313	n/a	NO SHORT DESC
1539	132KV 1200 CU1 H P H AL Z / OF / #2608 / 2 CIRCUITS	n/a	1200
1540	132KV 194 CU3 H P H L DT R J / GP	.3 CU3 H PHL DTRJ/GP	NO SHORT DESC
1541	132KV 194 CU1 H P H AL Z / GP	.3 CU3 H PHL DTRJ/GP	NO SHORT DESC
1542	132KV 194 CU3 H P H L BT Z / OF / #E29	n/a	NO SHORT DESC
1543	132KV 194 CU3 H P H L BT Z SW J / M / OF / #E29	n/a	NO SHORT DESC
1544	132KV 194 CU3 H P H AL Z / OF / #2110	n/a	NO SHORT DESC
1545	132KV 419 CU1 H P H AL Z / OF / #1353	n/a	NO SHORT DESC
1547	132KV 194 CU1 H P H AL Z / OF / #1194	n/a	NO SHORT DESC
1548	132KV 194 CU1 H P H AL Z / OF / #2110	n/a	NO SHORT DESC
1601	132KV 400 CU1 G XQ G MT (WS) MB YQ / #6286	400 CU1 HXQH MT(WS)MB YQ/#6286	NO SHORT DESC
1602	132KV 400 CU1 G XQ G LA CU(WS) Z YQ / HDCS / #SYE287-94	#SYE287-94	NO SHORT DESC
1603	132KV 400 CU1 H P H L BT Z / OF / #2767(S)	n/a	NO SHORT DESC
1604	132KV 400 CU1 G XQ G L CU(WS) Z YQ / HDCS / #SYE287-95	#SYE287-95	NO SHORT DESC
1605	132KV 371 CU3 H P H L BT Z / OF / #1194	n/a	NO SHORT DESC
1606	132KV 630 AL1 G XQ G CU(WS) S.S. YQ / OLYMPIC		630 AL1
1607	132KV 1600 AL1 G XQ G CU(WS) S.S. YQ / OLYMPIC	n/a	1600 AL1
1609	132KV 1603 CU1 H P H AL Z / OF / #1443S	n/a	NO SHORT DESC
1611	132KV 435 CU1 H P H AL YQ / OF / #2016	n/a	NO SHORT DESC
1613	132KV 240 CU1 H P H AL Z / GP	n/a	NO SHORT DESC
1614	132KV 400 CU1 G XQ G CU(WS 240) PA FO SS Z YQ / #EA1265/00		400
1615	132KV 1200 CU1 G XQ G CU(WS 240) MB FO SS Z YQ / #EA1471/01	FDRS 956 DUCT LAID FLAT SPACED	1200
1618	132KV 400 CU1 G XQ G (WS) MB FO PA MQ YQ / #EA1265/00		400
1619	132KV 400 CU1 G XQ G CU(WS 240) MB FO SS Z YQ / #EA1265/00	OLEX FDR.90V/3	400
1701	1.27 CU2PR Q Q H Q NY / Q TEL	1.27 2PR TEL	NO SHORT DESC
1702	1.27 CU2PR Q Q H Q NY / Q TEL	.002 (1/.050) CU2PR QQHQ NY/Q TEL	NO SHORT DESC
1709	1.27 CU4PR Q Q L Z NY / Q TEL	1.27CU4 QQLZ NYQ TEL/#5280 #5345	NO SHORT DESC
1710	1.27 CU4PR Q Q L Z NY / T TEL	1.27 4PR TEL	NO SHORT DESC
1711	1.27 CU4PR Q Q H Q NY / Q TEL	1.27 4PR TEL	NO SHORT DESC
1712	1.27 CU4PR Q Q L Z NY / Q TEL	1.27 CU4PR QQLZ NY/Q TEL/#5372 #5355	NO SHORT DESC
1714	1.27 CU4PR Q Q L Z / Q TEL	1.27 CU4PR QQLZ/Q TEL/#5385	NO SHORT DESC
1715	1.27 CU4PR Q Q L Z NY / Q TEL	1.27 CU4PR QQLZ NY/Q TEL/#5431	NO SHORT DESC
1716	1.27 CU4PR Q Q L Z / Q TEL	1.27 CU4PR QQLZ/Q TEL/#5371	NO SHORT DESC

Code	Known As	Old Description	Short Description
1717	1.27 CU4PR Q Q L Z / Q TEL	1.27 CU4PR QQLZ/Q TEL/#5666	NO SHORT DESC
1720	1.28 CU6PR Q Q H Q / Q / TEL	1.28 CU6PR Q Q H Q /Q/TEL/#2405	NO SHORT DESC
1721	1.28 CU6PR Q Q H YQ NY / Q / TEL	#2568	NO SHORT DESC
1722	1.27 CU6PR Q Q H YQ NY / Q / TEL	#2609 #3006	NO SHORT DESC
1726	.64 CU8PR Q Q H Q SW YQ / T	.64 CU8PR QQHQ SW YQ/T	NO SHORT DESC
1727	1.27 CU8PR Q Q H YQ NY / Q / TEL	#2608 #2767_2/2	NO SHORT DESC
1728	1.27 CU8PR Q Q H YQ NY / T / TEL	#3653	NO SHORT DESC
1735	1.27 CU10PR Q Q H Z NY / Q TEL	1.27 10PR TEL	NO SHORT DESC
1736	1.27 CU10PR Q Q H Z SW J / Q TEL	1.27 10PR TEL	NO SHORT DESC
1737	1.27 CU10PR Q Q H YQ / Q / TEL	#1364	NO SHORT DESC
1738	1.28 CU10PR Q Q H Q / Q / TEL	#2405	NO SHORT DESC
1739	1.27 CU14PR Q Q H YQ NY / T / TEL	#3653	NO SHORT DESC
1740	1.27 CU14PR Q Q H YQ NY / Q / TEL	#2767_2/2	NO SHORT DESC
1741	1.27 CU30PR Q Q H Q NY / Q TEL	1.27 CU30PR QQHQ NY/Q TEL/#4973	NO SHORT DESC
1742	1.27 CU18PR Q Q L Z / Q TEL	1.27 CU18PR QQLZ/Q TEL/#5666	NO SHORT DESC
1743	1.27 CU18PR Q Q H Z NY / Q TEL	1.27 18PR TEL	NO SHORT DESC
1744	1.27 CU18PR Q Q L Z / Q TEL	1.27 CU18PR QQLZ/Q TEL/#5385	NO SHORT DESC
1745	1.27 CU18PR Q Q L Z / Q TEL M	1.27 CU18PR QQLZ/Q TEL M/#5385	NO SHORT DESC
1746	1.27 CU18PR Q Q L Z NY / Q TEL	1.27 CU18PR QQLZ NY/Q TEL/#5431	NO SHORT DESC
1747	1.27 CU18PR Q Q L Z / Q TEL	1.27 CU18PR QQLZ/Q TEL/#5371	NO SHORT DESC
1750	1.27 CU26PR Q Q H YQ NY / Q / TEL	#2767_2/2	NO SHORT DESC
1751	1.28 CU26PR Q Q H Q / Q / TEL	#2405	NO SHORT DESC
1752	1.27 CU26PR Q Q H YQ / T / TEL	#2404	NO SHORT DESC
1753	1.27 CU30PR Q Q H Z NY / Q TEL	1.27 CU30PR QQHZ NY/Q TEL	NO SHORT DESC
1754	1.27 CU30PR Q Q H YQ / Q TEL	.002 (1/.050) CU30PR QQHYQ/Q TEL/#2209	NO SHORT DESC
1755	1.27 CU30PR Q Q H YQ / Q TEL	.002 (1/.050) CU30PR QQHYQ/Q TEL/#2209S	NO SHORT DESC
1756	1.27 CU30PR Q Q L Z / Q TEL	1.27 CU30PR QQLZ/Q TEL/#5345	NO SHORT DESC
1757	1.27 CU30PR Q Q L Z NY / Q TEL	1.27 CU30PR QQLZ NY/Q TEL/#5280	NO SHORT DESC
1758	1.27 CU30PR Q YQ NY / Q TEL	1.27 30PR TEL	NO SHORT DESC
1759	1.27 CU30PR Q Q H Z NY / Q TEL	1.27 CU30PR QQHZ NY/Q TEL/#4598	NO SHORT DESC
1760	1.27 CU30PR Q Q H SW J / Q TEL	.002 (1/.050) CU30PR QQH SWJ/Q TEL/#3699	NO SHORT DESC
1761	1.27 CU30PR Q Q H Q / Q TEL	1.27 30PR TEL	NO SHORT DESC
1762	1.27 CU30PR Q Q L Z NY / Q TEL	1.27 CU30PR QQLZ NY/Q TEL/#5000	NO SHORT DESC
1763	1.27 CU30PR Q Q L Z / Q TEL	1.27 CU30PR QQLZ/Q TEL/#5372	NO SHORT DESC
1764	1.27 CU30PR Q Q L Z SW Z / Q TEL M	1.27 CU30PR QQLZ SWZ/Q TEL M/#5385	NO SHORT DESC
1765	1.27 CU30PR Q Q H Z NY / Q TEL	.002 (1/.050) CU30PR QQHZ NY/Q TEL	NO SHORT DESC
1766	1.27 CU30PR Q Q L Z / Q TEL	1.27 CU30PR QQLZ/Q	NO SHORT DESC

Code	Known As	Old Description	Short Description
		TEL/#5385	
1767	1.27 CU30PR Q Q H Z SW J / Q TEL	.002 (1/.050) CU30PR QQHZ SWJ/Q TEL/#4417	NO SHORT DESC
1768	1.27 CU30PR Q Q L Z / Q	1.27 CU30PR QQLZ/Q/#6286	NO SHORT DESC
1769	1.27 CU30PR Q Q H YQ SW J / Q / TEL / M	#1443	NO SHORT DESC
1770	1.27 CU30PR Q Q H YQ / Q / TEL	#1194 #2111 #2251	NO SHORT DESC
1774	1.27 CU40PR Q Q H YQ NY / Q / TEL	#3006	NO SHORT DESC
1776	1.27 CU45PR Q Q H YQ / Q / TEL	#1194 #1353	NO SHORT DESC
1777	1.27 CU50PR Q Q H YQ SW YQ / Q / TEL / M	#1194	NO SHORT DESC
1778	1.27 CU45PR Q Q H YQ / T	1.27 CU45PR QQHYQ/T	NO SHORT DESC
1779	1.27 CU45PR Q Q H YQ SW J / Q / TEL / M	#1353	NO SHORT DESC
1780	1.27 CU46PR Q Q H YQ SW J / Q / TEL / M	#1443	NO SHORT DESC
1781	1.27 CU46PR Q Q H YQ / Q / TEL	#1947 #1971 #2016	NO SHORT DESC
1782	1.27 CU50PR Q Q H Z / TEL / #SYE360/95	#SYE360-95	NO SHORT DESC
1784	1.27 CU52PR Q Q H YQ NY / Q / TEL	#2767_2/2	NO SHORT DESC
1785	1.27 CU56PR Q Q H YQ / Q / TEL	#1443 #2016 #2313	NO SHORT DESC
1787	1.28 CU56PR Q Q H YQ NY / Q / TEL	#2568	NO SHORT DESC
1789	1.27 CU60PR Q Q H YQ NY / Q / TEL	#2609 #2767_2/2 #3653	NO SHORT DESC
1790	1.27 CU80PR Q Q H Z NY / Q / TEL	1.27 CU80PR QQHZ NY/Q	NO SHORT DESC
1791	1.27 CU80PR Q Q H YQ / Q / TEL	#1364 #2313	NO SHORT DESC
1793	1.27 CU80PR Q Q H YQ SW YQ / Q / TEL / M	#2016	NO SHORT DESC
1795	1.27 CU90PR Q Q H YQ / Q / TEL	#1364	NO SHORT DESC
1796	1.27 CU100PR Q Q H Z NY / Q / TEL	n/a	NO SHORT DESC
1797	.64 CU100PR Q MB / UT / TEL	n/a	NO SHORT DESC
1798	1.27 CU100PR Q Q H YQ / Q / TEL	#2110 #2251 #2251S	NO SHORT DESC
1799	1.28 CU100PR Q Q H Q / Q / TEL	#2405	NO SHORT DESC
1800	1.28 CU100PR Q Q H YQ NY / Q / TEL	#2568	NO SHORT DESC
1804	BOND 38 CU1 Z / BOND	38 CU1 BOND	NO SHORT DESC
1805	BOND 65 CU1 Z / BOND	.1 BOND	NO SHORT DESC
1806	BOND 70 CU1 Z / BOND	70 BOND	NO SHORT DESC
1808	BOND 100 CU1 H XQ H R Z	n/a	NO SHORT DESC
1810	BOND 129 CU1 Z Z	.2 2C BOND PVC/PVC	NO SHORT DESC
1811	BOND 226 CU2 Z Z / C BOND	.35 CU2 ZZ/C/BOND	NO SHORT DESC
1812	BOND 185 CU1 Z Z / BOND	185 BOND PVC/PVC	NO SHORT DESC
1813	BOND 185 CU1 Q Z / BOND	185 CU1 BOND PVC	NO SHORT DESC
1814	BOND 200 CU1 Z Z	200 CU1 BOND PVC	NO SHORT DESC
1815	BOND 240 CU2 Z Z / C BOND	240 2C BOND PVC/PVC	NO SHORT DESC
1816	BOND 185 CU2 Z Z / C BOND	185 CU2 ZZ/C/BOND	NO SHORT DESC
1850	240 CU1 XQ Z / BOND	USED AS EARTH 132KV	1x240
1905	DC 26 CU3 P L DT J / DC	.04 3C PILC/DTAS	NO SHORT DESC
1906	DC / #NO SIZE	UNDEFINED DC CABLES	NO SHORT DESC
1921	PEC 2.5 CU3 Z Z / PEC	2.5(7/.67) 3C PVC/PVC PEC	2.5 PEC
1922	415 2.5 CU3 Z Z	2.5 3C CU PVC/PEC	3x2.5

Code	Known As	Old Description	Short Description
1923	PEC 1.25 CU2 Z Z / PEC	.002 (3/.029) CU2 PVC PVC/PEC	PEC
1930	PEC 2.9 CU3 Z Z / PEC	.0045 (7/.029) 3C PVC/PEC	PEC
1931	415 4 CU3 Z Z	4(7.85) CU3 ZZ/PEC	3x4
1934	PEC 2.9 CU2 Z Z / ELE	.0045 (7/.029) CU2 ZZ/ELEC	NO SHORT DESC
1935	PEC 4.6 CU1 Z Z / ELE	.007 (7/.036) CU1 PVC/ELEC	NO SHORT DESC
1940	PEC 4.6 CU2 Z Z / ELE	.007 (7/.036) CU2 PVC/ELEC	NO SHORT DESC
1955	PEC 1.9 CU1 Z Z / ELE	.003 (3/.036) CU1 PVC/ELEC	NO SHORT DESC
1961	PEC 6 CU1 Z Z / ELE	6 (7/1.04) CU1 PVC/ELEC	NO SHORT DESC
1963	415V 6 CU2 Z Z	6 (7/1.04) CU2 PVC/ELEC	2x6
1970	PEC 65 CU1 Z Z / ELE	.1 (19/.083) CU1 PVC/ELEC	NO SHORT DESC
1984	PEC 35 CU1 Z Z / ELE	35 (19/1.53) CU1 PVC/ELEC	NO SHORT DESC
2001	415V 15 CU2 P L	.0225 2C PILC	2x15 + CN
2002	415V 15 CU2 R L	.0225 2C RILC	2x15
2003	415V 15 CU2 P L Z	.0225 2C PVC	2x15 + CN
2004	415V 15 CU2 P L SW J	.0225 2C PILC SWAS	2x15 + CN
2005	415V 15 CU2 R L SW J	.0225 2C RILC SWAS	2x15
2006	415V 15 CU2 Q Z SW J	.0225 2C PE/PVC SWAS	2x15
2007	415V 4.6 CU 2 R	.007 (7/.036) CU2 TRS	2x4.6
2008	415 15 CU1 P L	.0225 CU LC SING	1x15 + CN
2009	415V 1.25 CU2 Z Z	.002 (3/.029) CU2 PVC PVC	2x1.25
2010	415 15 CU1 Z CU(N) YQ	.0225 SC PVC/CU SCREEN/PE	1x15 + CN
2011	415 16 CU1 Z CU(N) YQ	16 SC PVC/CU SCREEN/PE	1x16 + CN
2012	415 15 CU1 Z Z	.0225 SC PVC/PVC	1x15
2013	415V 15 CU2 P L DW J	.0225 PILC DSA	2x15 + CN
2014	415 70 CU1 Q Z	70 SC CU QZ	1x70
2015	415V 15 CU2 P L DT J	.0225 2C PILC/DTAS	2x15 + CN
2016	415V 16 CU2 Z Z	16 CU2 PVC PVC	2x16
2017	240V 15 CU2 Z Z	.0225 2C PVC/PVC	15 PVC2
2018	415V 39 AL4 Z AL Z / SAC	.06 AL4 Z AL Z/SAC	39AL
2019	415V 39 CU4 P L Z	.06 CU4 PLY/PVC	39
2020	415V 15 CU4 P L DT J	.0225 4C PILC/DTAS	15
2021	415V 15 CU4 Q Z SW J	.0225 4C PE/PVC SWAS	15
2022	415V 15 CU4 R L SW J	.0225 4C RILC SWAS	15
2023	415V 15 CU4 Z Z	.0225 4C PVC/PVC	15
2024	415V 16 CU4 Z Z	16 CU3.5 ZZ	16
2025	415V 15 CU3 Z CU(N) YQ	.0225 3C PVC/CU SCREEN/PE	15
2026	415V 16 CU3 Z CU(N) YQ	16 3C PVC/CU SCREEN/PE	16
2027	415V 15 CU3 Z Z	.0225 3C PVC/PVC	3x15
2028	415 23 CU1 Z Z	.035 (7/.080) CU1 PVC PVC	1x23
2029	415V 26 CU4 P L SW J	.04 SA	26
2030	415V 26 CU4 P L DT J	.04 4C PILC/DTAS	26
2031	415 35 CU1 Z Z	35 (19/1.53) CU1 PVC PVC	1x35
2032	415V 32 CU2 P L DT J	.05 2C PILC/DTAS	2x32 + CN

Code	Known As	Old Description	Short Description
2033	415V 32 CU4 P L DT J	.05 4C PILC/DTAS	32
2034	415V 65 AL4 Z AL Z / SAC	.1 4C SOL AL PVC/SAC	65AL
2035	415V 26 AL4 P L DT J / SAC	.04 SOL AL4C PILC/DTAS	26AL
2036	415V 25 AL3 XQ CU(N) Z / SAC	25 3C SOL AL CU SCREEN PVC	25AL
2037	415V 26 AL3 P AL(N) Z / SAC	.04 SOL AL 3C PIAC/PVC CONSAC	26AL
2038	415V 25 AL3 P AL(N) Z / SAC	25 SOL AL 3C PIAC/PVC CONSAC	25AL
2039	415V 32 CU4 P L	.05 PILC	32
2040	415V 32 CU4 P L SW J	.05 SA	32
2041	415V 39 CU4 P L SW J	.06 4C PILC/SWAS	39
2042	415V 39 CU4 P L DT J	.06 4C PILC/DTAS	39
2043	415V 39 AL3 P AL(N) Z / SAC	.06 SOL AL 3C PIAC/PVC	39AL
2044	415V 50 AL3 P AL(N) Z / SAC	50 SOL AL 3C PIAC/PVC	50AL
2045	415V 50 AL3 XQ CU(NW) Z / SAC	50 AL3 WAVECON	50AL
2046	415V 65 CU4 P L SW J	.1 3.5C PILC SWJ	65
2047	415 65 CU1 Q Z	.1 SC PE/PVC	1x65
2048	415 65 CU1 P L	.1 SC PILC	1x65 + CN
2049	415V 65 CU4 P L	.1 3.5C PILC	65
2050	415 97 CU1 P L Z	.15 PILC/PVC	1x97 + CN
2051	415 95 CU1 P L Z	95 SC PILC/PVC	1x95 + CN
2052	415 97 CU1 Q Z	.15 SC PE/PVC	1x97
2053	415 97 CU1 P L	.15 SC PILC	1x97 + CN
2054	415V 97 CU4 P L	.15 4C LC	97
2055	415V 97 CU4 P L	.15 3.5C LC	97
2056	415V 97 CU4 P L DT J	.15 3.5C PILC/DTAS	97
2057	415V 97 CU4 P L SW J	.15 3.5C SA	97
2058	415V 70 AL3 XQ CU(N) Z / SAC	70 3C AL CONSAC	70AL
2059	415V 97 AL4 P L DT J	.15 AL 4C PILC/DTAS	97AL
2060	415V 97 AL4 P L DT J / SAC	.15 SOL AL 4C PILC/DTAS	97AL
2061	415 70 CU1 Z Z	70 CU1 ZZ	1x70
2062	415V 97 AL3 P AL(N) Z / SAC	.15 SOL AL 3C PIAC/PVC	97AL
2063	415V 95 AL3 P AL(N) Z / SAC	95 SOL AL 3C PIAC/PVC CONSAC	95AL
2064	415V 95 CU3 Z CU(N) YQ	95 3C PVC/CU SCREEN/PE	95
2065	415V 95 AL3 XQ CU(NW) Z / SAC	95 AL3 WAVECON	95AL
2066	415 129 CU1 P L	.2 SC PILC	1x129 + CN
2067	415V 129 CU4 P L DT J	.2 4C PILC/DTAS	129
2068	415V 129 AL3 P AL(N) Z / SAC	.2 SOL AL 3C PIAC/PVC	129AL
2069	415V 129 AL3 P AL(N) DT J / SAC	.2 SOL AL 3C PIAC/DTAS	129AL
2070	415V 120 AL3 XQ CU(N) Z / SAC	120 3C AL CONSAC	120AL
2071	415V 97 AL4 Z AL Z / SAC	.15 4C SOL AL PVC/SAC	97AL
2072	415 185 CU1 Z Z	185 SC PVC/PVC	1x185
2073	415 194 CU1 P L	.3 SC PILC	1x194 + CN
2074	415 194 CU1 P L / RIB	.3 SC PILC (RIBBED)	1x194 + CN

Code	Known As	Old Description	Short Description
2075	415V 185 CU1 P L / RIB	185 SC PILC (RIBBED)	1x185 + CN
2076	415 194 CU1 P L Z	.3 SC PILC/PVC	1x194 + CN
2077	415V 185 CU1 P L Z	185 SC PILC/PVC	1x185 + CN
2078	415 194 CU1 Q Z	.3 SC PE/PVC	1x194
2079	415 194 CU1 Z Z	.3 SC PVC/PVC	1x194
2080	415V 194 CU 3.5 P L	.3 3.5C PILC	194
2081	415V 185 CU4 P L Z	185 3.5C PILC/PVC	185
2082	415V 194 CU4 P L Z	.3 3.5C PILC/PVC	194
2083	415V 129 AL4 Z AL Z / SAC	.2 4C SOL AL PVC/SAC	129AL
2084	415V 161 AL4 Z AL Z / SAC	.25 4C SOL AL PVC/SAC	161AL
2085	415V 194 CU 3.5 P L SW J	.3 3.5C PILC/SWAS	194
2086	415V 194 CU3.5 P L DW J	.3 3.5C PILC/DSA	194
2087	415V 185 CU4 P L SW J	185 4C CU SA	185
2088	415V 194 CU4 P L DT J	.3 CU4 PL DTJ	194
2089	415V 194 AL4 P L	.3 AL 4C PILC	194AL
2090	415V 194 AL4 P L DT J	.3 AL 4C PILC/DTAS	194AL
2091	415V 185 AL4 P L SW J	185 4C AL SA	185AL
2092	415V 194 AL4 Z AL Z / SAC	.3 4C SOL AL PVC/SAC	194AL
2093	415V 185 AL4 XQ + 10 CU1 XQ Z	185 4C AL + 10 CU1 PVC	185AL + 1x10
2094	415V 70 AL4 Z AL Z / SAC	70 4C SOL AL PVC/SAC	70AL
2095	415V 194 AL3 P AL(N) Z / SAC	.3 SOL AL 3C PIAC/PVC	194AL
2096	415V 185 AL3 P AL(N) Z / SAC	185 SOL AL 3C PIAC/PVC	185AL
2097	415V 185 AL3 XQ CU(NW) Z / SAC	185 AL3 WAVE WND CONC NEUT	185AL
2098	415V 258 AL4 Z AL Z / SAC	.4 4C SOL AL PVC/SAC	258AL
2099	415V 258 AL3 P AL(N) Z / SAC	.4 AL3 PAL(N)Z/SAC	258AL
2100	415 194 AL1 Q Z	.3 AL SC PE/PVC	1x194AL
2101	415 185 AL1 Q Z	185 AL SC PVC	1x185AL
2102	415V 258 CU4 P L	.4 3.5C LC	258
2103	415V 258 CU4 P L SW J	.4 3.5C SA	258
2104	415V 240 AL4 XQ Z	240 AL4 XL PE	240AL
2105	415 323 CU1 P L	.5 SC PILC	1x323 + CN
2106	415 300 CU1 P L	300 SC PILC	1x300 + CN
2107	415 323 CU1 Q Z	.5 SC PE/PVC	1x323
2108	415V 240 AL3 P AL(N) Z / SAC	240 AL3 PAL(N)Z/SAC	240AL
2109	415V 323 AL4 Z AL Z / SAC	.5 4C SOL AL PVC/SAC	323AL
2110	415 323 CU1 P L Z	.5 SC PILC/PVC	1x323 + CN
2111	415 300 CU1 P L Z	300 SC PILC/PVC	1x300 + CN
2112	415V 300 AL4 Z AL Z / SAC	300 4C SOL AL PVC/SAC	300AL
2113	415V 323 CU4 P L SW J	.5 3.5C PILC/SWAS	323
2114	415V 185 AL4 Z AL Z / SAC	185 AL4 Z AL Z/SAC	185AL
2115	415V 323 AL4 P L	.5 AL 3.5C PILC	323AL
2116	415V 120 AL4 Z AL Z / SAC	120 4C AL ZALZ/SAC	120AL



Code	Known As	Old Description	Short Description
2117	415V 185 CU1 XQ Z	185 SC CU XQZ	185
2118	415 70 AL1 Z Z	70 AL1 ZZ	70AL
2119	415 50 CU1 Z Z	50 CU1 ZZ	1x50
2120	415V 323 AL4 P L SW J	.5 AL 3.5C PILC/SWAS	323AL
2121	415V 4.6 CU2 Z Z	4.6 CU2 PVC PVC	2x4.6
2122	415 39 CU1 Z Z	.06 CU1 ZZ	1x39
2123	415V 16 AL2 Z Z	16 AL2 ZZ	2x16AL
2124	415V 35 CU4 Z Z	35 CU4 ZZ	35
2125	415V 323 AL4 P AL Z	.5 AL 3.5C PIAC/PVC	323AL
2126	415V 65 AL3 P AL(N) Z / SAC	.1 AL3 P AL (N) Z/SAC	65AL
2127	415V 200 AL3 XQ CU(N) Z / SAC	200 AL3 XQ CU(N) Z/SAC	200AL
2128	415V 70 CU4 P L SW J	70 CU4 PL SWJ	70
2129	415V 19 CU2 Z Z	.03 (19/.044) CU2 ZZ	2x19
2130	415V 323 AL3 P AL(N) Z / SAC	.5 SOL AL 3C PIAC/PVC	323AL
2131	415V 300 AL3 P AL(N) Z / SAC	300 AL 3C PVC	300AL
2132	415 300 AL3 XQ BR AL(N) Z / SAC	300 SOL AL 3C BR PIAC/PVC	300AL
2133	415V 300 AL3 P AL(N) Z / SAC	300 SOL AL 3C PIAC/PVC	300AL
2134	415V 297 AL3 P AL(N) Z	.45 AL 3C PIAC/PVC	297AL
2135	415V 323 AL3 P AL(N) Z	.5 AL 3C PIAC/PVC	323AL
2136	415 300 CU1 XQ Z	300 SC CU XQZ	1x300
2137	415V 300 AL3 XQ CU(N) Z / SAC	300 AL3 XQ CU(N) Z/SAC	300AL
2138	415 323 AL1 P AL(N) Z	.5 AL SC PIAC/PVC	1x323AL + CN
2139	415 300 AL1 XQ Z	300 AL1 XQZ	1x300AL
2140	415 323 AL1 Q Z	.5 AL SC PE/PVC	1x323AL
2141	415 300 AL1 Q Z	300 AL SC PE/PVC	1x300AL
2142	415V 300 AL4 XQ Z SW Z / SAC	300 AL4 XQZ SWZ/SAC	300AL
2143	415 484 CU1 Z Z	.75 CU1 ZZ	1x484
2144	415 484 CU1 Q Z	.75 SC PE/PVC	1x484
2145	415 484 CU1 P L Z	.75 SC PILC/PVC	1x484 +CN
2146	415 500 CU1 P L Z	500 SC PILC/PVC	500
2147	415 500 CU1 XQ Z	500 CU PVC SING	1x500
2148	415 323 CU1 Z Z	.5 CU1 ZZ	323
2149	415 323 AL1 BR BR	.5 AL1 BR BR	1x323AL
2150	415 645 CU1 P L	1.0 SC PILC	645
2151	415 645 AL1 Z	1.0 AL SC PVC	1x645AL
2152	415 323 CU1 BR BR	.5 CU1 BR BR	1x323
2153	415 258 AL1 Q Z	.4 AL1 QZ	258AL
2154	415 240 AL1 XQ Z	240 AL1 XQZ	1x240AL
2155	415 967 CU1 P L	1.5 SC PILC	1x967 + CN
2156	415 300 AL1 BR BR	300 AL1 BR BR	1x300AL
2157	415 39 AL1 Z Z	.06 AL1 ZZ	1x39AL
2158	415V 15 AL2 Z Z	.0225 AL2 ZZ	2x15AL
2159	415V 15 CU4 P L	.0225 CU4 PL	15

Code	Known As	Old Description	Short Description
2160	415V 6.4 CU2 Z Z	.01 (3/.064) CU2 Z	2x6.4
2161	415V 3 CU2 Z Z	.0045 (7/.029) CU2 ZZ	2x3
2162	415 185 AL1 XQ Z	185 AL1 XQZ	1x185AL
2163	415V 6.4 CU2 Z Z	.01 (7/.044) CU2 TPS	2x6.4
2164	415V 65 CU4 P L DT J	0.1 CU4 PL DTJ	65
2165	415V 50 CU3 XQ CU(N) Z	50 CU3 XQ CU(N) Z	50 CU3
2166	415V 240 AL3 XQ CU(NW) Z / SAC	240 AL3 XQ CU(NW)Z/SAC	240AL
2167	415V 120 AL3 XQ CU(NW) Z / SAC	120 AL3 XQ CU(NW)Z/SAC	120AL
2168	415V 129 CU4 P L SW J	.2 CU3.5 PL SWJ	129
2169	415V 150 AL3.5 P L DW J / M	150/70 AL3.5 PL DWJ/M	150AL
2170	415V 16 CU3 Z Z	16 CU3 ZZ	3x16
2171	415 19 CU1 Z Z	.03 (19/.044) CU1 ZZ	1x19
2172	415 19 CU1 Z	.03 (19/.044) CU1 Z	1x19
2173	415V 240 AL3 XQ CU(NW) Z	240 AL3 XQ CU(NW)Z	240AL
2174	415V 16 CU3 XQ CU(N) Z	16 CU3 XQ CU(N) Z	16
2175	415V 185 AL4 XQ Z	185 AL4 XQZ	185AL
2176	415 120 AL1 Q Z	120 AL1 QZ	1x120AL
2177	415V 194 CU4 P L SW J	.3 CU4 PL SWJ	194
2178	415V 185 AL4 XQ Z / SAC	185 AL4 XLPE PVC/SAC	185AL
2179	415 185 CU1 Q Z	185 CU1 QZ	1x185
2180	415V 185 AL3 XQ CU(NW) Z	185 AL3 XQ CU(NW)Z	185AL
2181	415V 194 AL4 P L Z	.3 AL3.5 PLZ	194AL
2182	415 194 AL1 XQ Z	.3 AL1 XLPE PVC	194AL
2183	415V 26 AL4 Z AL Z / SAC	.04 AL4 ZALZ/SAC	26AL
2184	415 26 CU1 Z Z	.04 CU1 ZZ	1x26
2185	415 39 CU1 Z	.06 CU1 Z	1x39
2186	415V 129 AL3 P AL(N) Z	.2 AL3 PAL(N)Z	129AL
2187	415V 120 AL3 P AL(N) Z / SAC	120 AL3 PAL(N)Z/SAC	120AL
2188	415V 4.6 CU2 Z Z	.007 (7/.036) CU2 ZZ	2x4.6
2189	415 258 AL1 BR BR	0.4 AL1 BR BR	1x258AL
2190	415V 200 AL3 XQ CU(NW) Z / SAC	200 AL3 XQ CU(NW)Z/SAC	200AL
2191	415V 120 AL4 XQ Z SW Z / SAC	120 AL4 XQZ SWZ/SAC	120AL
2192	415 400 AL1 XQ Z	400 AL1 XQZ	1x400AL
2193	415 16 CU1 XQ CU(N) Z	16 CU1 XQ CU(N)Z	1x16 + CN
2194	415 258 AL1 XQ Z	.4 AL1 XQZ	1x258AL
2195	415V 161 AL3 P AL(N) Z / SAC	.25 3C CONSAC	161AL
2196	415V 185 AL3 P AL(N) Z	185 AL3 P AL(N) Z	185AL
2197	415V 185 AL3 XQ CU(N) Z / SAC	185 AL3 XQ CU(N) Z/SAC	185AL
2198	415V 258 AL3 P AL(N) Z / SAC	.4 AL3 P AL(N)Z	258AL
2199	415V 39 CU2 P L	.06 CU2 PL	2x39 + CN
2200	415V 185 CU4 XQ Z SW J	185 CU4 XQZ SWJ	185
2201	415 484 AL1 Z Z	.75 AL1 ZZ	484AL
2202	415V 1.9 CU2 Z Z	.003 (3/.036) CU2 PVC PVC	2x1.9

Code	Known As	Old Description	Short Description
2203	415 129 AL1 Z	.2 AL1 PVC	129AL
2204	415V 19 CU4 Z Z	.03 CU4 ZZ	19
2205	415V 9.4 CU2 Z Z	.0145 CU2 ZZ	2x9.4
2206	415 95 CU1 Z Z	95 CU1 ZZ	1x95
2207	415 161 CU1 P L	.25 CU1 PL	1x161 + CN
2208	415V 6.4 CU3 Z Z	.01 (7/.044) TWIN AND EARTH	2.5x6.4
2209	415V 32 CU3 P L SW J	.05 CU3 PL SWJ(11kV CABLE)	32
2210	415V 185 AL3 XQ AL (NW) Z / SAC	185 AL3 XQ AL(NW)Z/SAC	185AL
2211	415V 300 AL3 XQ AL 135 (NW) Z / SAC	300 AL3 XQ AL(NW) Z/SAC	300AL
2212	415 323 AL1 BR Z	.5 AL1 BRZ	1x323AL
2213	415 323 AL1 XQ Z	.5 AL1 XQZ	1x323AL
2214	415 25 AL1 Z Z	25 AL1 ZZ	1x25AL
2215	415 39 CU1 P L	.06 CU1 PL	1x39 + CN
2216	415 32 CU1 P L	.05 CU1 PL	1x32 + CN
2217	415V 39 CU3 P L	.06 CU3 PL	39
2218	415V 161 CU4 P L SW J	.25 CU3.5 PL SWJ	161
2219	415V 194 AL3 P AL(N) Z	.3 AL3 AL SHEATH	194AL
2220	415 240 AL1 BR BR	240 AL1 BR BR	240AL
2221	415 129 CU1 Z Z	.2 CU1 ZZ	1x129
2222	415 65 CU1 Z Z	.1 CU1 ZZ	1x65
2223	415 1.9 CU1 Z Z	.003 (3/.036) CU1 PVC PVC	1x1.9
2224	415 120 CU1 Z Z	120 CU1 ZZ	1x120
2225	415V 65 CU4 P L DT J	.1 CU3.5 PL DTJ	65
2226	415 258 AL1 BR Z	.4 AL1 BR Z	1x258AL
2227	415 129 AL1 XQ Z	.2 AL1 XQZ	129AL
2228	415V 15 CU 2 R	.0225 CU2 TRS	2x15
2229	415 150 AL1 Z Z	150 AL1 ZZ	1x150AL
2230	415 161 AL1 Z	.25 AL1 PVC	1x161AL
2231	415 4.6 CU1 Z	.007 (7/.036) CU1 PVC	1x4.6
2232	415V 65 CU4 P L Z	.1 CU3.5 PLZ	65
2233	415V 39 CU2 Z Z	.06 (19/.064) CU2 PVC PVC	2x39
2234	415 300 AL1 BR Z	300 AL1 BR Z	1x300AL
2235	415V 64 CU4 P L SW J	.1 CU4 PL SWJ	64
2236	415V 23 CU2 P L	.035 (7/.080) CU2 PL	2x23 + CN
2237	415V 4.6 CU3 Z Z	.007 (7/.036) CU2 PVC AND EARTH	2.5x4.6
2238	415V 26 CU3 Z Z	.04 (19/.052) CU2 PVC AND EARTH	2.5x26
2239	415V 258 AL4 P L SW J	.4 AL4 PL SWJ	258AL
2240	415 49 CU1 XQ Z	.075 (19/.072) CU1 XQZ	1x49
2241	415V 194 CU4 P L SW	.3 CU3.5 PL SW (BRIGHT STEEL)	194
2242	415 161 AL1 XQ Z	.25 AL1 XQZ	1x161AL
2243	415V 19 CU3 P L SW J	.03 CU3 PL SWJ	19
2244	415V 19 CU2 P L	.03 CU2 PL	2x19 + CN

Code	Known As	Old Description	Short Description
2245	415V 185 AL4 XQ Z SW Z / SAC	185 AL4 XQZ SWZ/SAC	185AL
2246	415V 258 AL4 XQ Z SW Z / SAC	.4 AL4 XQZ SWZ/SAC	258AL
2247	415V 2.9 CU3 Z Z	.0045 (7/.029) CU2.5 ZZ	2.5x2.9
2248	415V 26 CU4 P L Z	.04 CU4 PL PVC	26
2249	415 150 CU1 Z	150 CU1 Z	1x150
2250	415V 120 AL3 XQ AL (NW) Z / SAC	120 AL3 XQ AL(NW)Z/SAC	120AL
2251	415 26 CU1 P L	.04 CU1 PILC	1x26 + CN
2252	415 484 CU1 P L	.75 CU1 PILC	484
2253	415V 97 AL3 P AL(N) Z	.15 AL3 PIAC PVC	97AL
2254	415V 1.25 CU3 Z Z	.002 (3/.029) CU3 PVC PVC	3x1.25
2255	415V 25 AL3 XQ AL (NW) Z / SAC	25 AL3 XQ AL(NW)Z/SAC	25AL
2256	415V 120 AL4 XQ Z / SAC	120 AL4 XQZ /SAC	120AL
2257	415V 240 AL4 XQ Z / SAC	240 AL4 XQZ /SAC	240AL
2258	415 95 AL1 Z	95 AL1 Z	1x95AL
2259	415V 16 CU4 XQ Z	16 CU4 XQZ	16
2260	415V 16 CU2 XQ Z	16 CU2 XQZ	2x16
2261	415V 25 CU4 XQ Z	25 CU4 XQZ	25
2262	415V 50 CU4 XQ Z	50 CU4 XQZ	50
2264	415V 185 CU1 XQ Z / #COLOUR	185 CU CITY CABLE (PARROT)	1x185 & pilot
2265	415V 1.9 CU2 R L	.003(3/.036) CU2 RILC	2x1.9
2266	415V 26 CU3 P L DT J	.04 CU3 PILC/DTAS	26
2267	415V 39 CU4 P L	.06 CU4 PILC	39
2268	415V 77 CU3 P L DW J	.12 CU3 PL DWJ	77
2269	415V 22 CU2 P L SW J	7/14 (7/.080) 2C SA	2x22 + CN
2270	240V 2.9 CU2 Z Z	.0045 (7/.029) CU2 PVC	2x2.9
2271	415V 70 CU3 P L Z	70 CU3.5 P L Z	70
2272	415V 26 CU3 Z CU(N) YQ	.04 CU3 Z CU(N) YQ	26
2273	240V 2.5 CU2 Z Z	7/.67 or 1/1.78 or 2.5 TWIN SL	2.5 PVC2
2274	415 16 CU1 Z Z	n/a	16 PVC1
2275	415V 194 CU3 Z CU(N) YQ	n/a	194
2276	415 240 CU1 Z Z	n/a	240 PVC1
2277	415 9.4 CU1 Z Z	n/a	9.4 PVC1
2278	415 6.4 CU1 Z Z	n/a	6.4 PVC1
2279	415 25 CU1 Z Z	n/a	25 PVC1
2280	415V 185 CU1 Z Z / 3 CABLES + 150 CU1 Z		3x185 + 1x150
2281	415V 150 CU4 XQ Z	150 CU4 XQZ	150
2282	415V 16 CU5 XQ Z		16
2283	415V 240 AL3 XQ + 120 AL1 XQ		3x240 AL + 120 AL
2284	415V 50 AL3 Z + 35 AL1 Z		3x50 AL & 1x35 AL
2285	415V 25 CU2 Z Z		2x25
2286	415V 25 AL4 P L SW		25AL
2287	415V 185 AL1 XQ Z / 3 CABLES + 70 HDCU1 / NEUTRAL		3x185 AL + 1x70
2288	415V 95 AL1 XQ Z / 3 CABLES + 35 HDCU1 / NEUTRAL		3x95AL & 1x35

Code	Known As	Old Description	Short Description
2289	415V 35 AL1 XQ Z / 3 CABLES + 25 HDCU1 / NEUTRAL		3x35AL & 1x25
2290	415V 50 AL1 XQ Z / 3 CABLES + 50 HDCU1 / NEUTRAL		3x50AL + 1x50
2291	415V 200 CU1 Z / 6 CABLE + 200 CU1 / NEUT		6x200 + N
2292	415V 4 CU2 Z Z		4 PVC2
2293	415V 25 CU1 BR Z / 4 CABLE		25
2294	415V 25 AL1 XQ AL(NW) Z		1x25AL
2295	415V 16 AL4 XQ Z		16 AL XLPE
2296	415V 35 AL1 XQ Z + 50 HDCU1 / NEUTRAL		1x35AL + 50 N
2297	415V 4 CU2 Z Z (N)		2x4
2298	415V 25 CU1 Z Z + 16 HDCU1 / NEUTRAL		1x25 + 1x16
2299	415V 70 CU1 Z Z + 50 HDCU1 / NEUTRAL		1x70 + 1x50
2300	415V 50 AL1 XQ Z + 25 HDCU1 / NEUTRAL	n/a	1x50 AL & 1x25
2301	415V 50 AL1 XQ Z + 70 HDCU1 / NEUTRAL		50 A + 70 C N
2302	415V 50 AL1 XQ Z + 50 HDCU1 / NEUTRAL		50C + 50 C N
2303	415V 70 CU3 Z Z + 25 HDCU1 / NEUTRAL		70 C + 25 C N
2304	415V 6 CU1 Z Z + 6 HDCU1 / NEUTRAL		6 C + 6 C N
2305	415V 16 CU3 Z Z + 10 HDCU1 / NEUTRAL		3x16 + 10 N
2306	415V 25 CU3 Z Z + 16 HDCU1 / NEUTRAL		3x25 + 16 N
2307	415V 25 CU1 Z Z + 50 HDCU1 / NEUTRAL		1x25 + 50 N
2308	415V 16 CU1 Z Z + 16 HDCU1 / NEUTRAL		2x16
2309	415V 25 AL1 Z Z + 16 HDCU1 / NEUTRAL		25 A + 16 C N
2310	415V 70 AL1 Z Z + 50 HDCU1 / NEUTRAL		70 A + 50 C N
2311	415V 150 AL1 XQ Z / 3 CABLES + 70 HDCU1 / NEUTRAL		150 A + 70 C N
2312	415V 25 AAC 4 XQ / LVABC		25AL ABC
2313	415V 50 AL3 XQ Z + 50 HDCU1 / NEUTRAL		50 AL3 + 50CU
2314	415V 97 AL3 XQ Z + 50 HDCU1 / NEUTRAL		97 AL + 50 CU
2315	415V 16 AL3 Z Z + 14 HDCU1 / NEUTRAL		16AL3+14CN
2316	415V 70 CU3 + 50 CU1 / NEUT. P L SW		70C3+50CN
2317	415V 15 CU3 + 9 CU1 / NEUT. P L ST		15C3+9CN
2318	415V 26 CU3 + 15 CU1 / NEUT. P L ST		26C3+15CN
2319	415V 26 CU3 + 15 CU1 / NEUT. P L		26C3+15CN
2320	415V 23 CU3 + 13 CU1 / NEUT. P L		23C3+13CN
2321	415V 6 CU3 + 4 CU1 / NEUT. R		6C3+4CN
2322	415V 65 CU3 + 32 CU1 / NEUT. P L ST		65C3+32CN
2323	415V 15 CU3 + 6 CU1 / NEUT. P L ST		15C3+6CN
2324	415V 161 CU3 + 65 CU1 / NEUT. P L SW		161C3+65CN
2325	415V 65 CU3 + 15 CU1 / NEUT. P L SW		65C3+15CN
2326	415V 97 CU3 + 48 CU1 / NEUT. P L J		97C3+48CN
2327	415V 161 CU3 + 77 CU1 / NEUT. P L SW		161C3+77CN
2328	415V 300 CU1 XQ Z / 6 CABLE + 99.99 CU1 / NEUT / 2 CABLE		6x300 + 2xN
2329	415V 7 HDCU3 Z / TWISTED		7 TW3
2330	415V 7 HDCU4 Z / TWISTED		7 TW4

Code	Known As	Old Description	Short Description
2331	415V 6 HDCU3 Z Z		6 TW3
2332	415V 323 CU3 XQ Z / 3 CABLES + 300 AL1 XQ Z / NEUT		3x323 CU1 + N 300 AL1
2333	415V 323 CU1 XQ Z / X 2 + 300 AL1 XQ Z / X 2 + 300 AL1 / N		2x323CU+2x300AL+N300AL
2334	415V 7 HDCU2 Z Z + 7 HDCU2 Z Z / TWISTED		2x7 TW2
2335	415V 10 CU4 Z Z / EARTH		10 CU4 + E
2336	415V 484 CU1 P L / 6 CABLE + 323 CU1 P L		6x484+1x323
2337	415V 194 CU1 P L Z / 4 CABLE + 645 CU1 P L		4x194+1x645
2338	415V 4 CU1 Z Z / 2 CABLE + 4 CU1 Z / EARTH		2x4 + 4 E
2340	415V 120 AL1 XQ Z / 4 CABLE		4x120 AL1
2341	415V 25 CU2 Z Z / + EARTH		2x25 + E
2342	415V 25 CU4 Z Z / + EARTH		25 + E
2343	415V 98 CU2 Z Z		2x98
2345	415V 323 AL4 P CU(N) Z		4x323 + CN
2346	415V 185 AL1 Q Z / 3 CABLES + 300 AL1 Q Z / 3 CABLES		3x185AL + 3x300AL
2347	415V 300 AL3 P AL(NW) Z + 185 AL1 XQ Z		300AL3 + 185AL1
2348	415V 300 AL1 XQ Z / 3 CABLES + 95 CU1 Z Z		3x300AL1 + 95CU1
5001	415V 15 CU1 P L / 4 CABLE	n/a	15
5002	415V 15 CU1 Z Z / 4 CABLE	n/a	4x15 PVC
5003	415V 70 CU1 Q Z / 4 CABLE	n/a	70
5004	415V 23 CU1 Z Z / 4 CABLE	n/a	23
5005	415V 35 CU1 Z Z / 4 CABLE	n/a	35
5006	415V 65 CU1 Q Z / 4 CABLE	n/a	65
5007	415V 65 CU1 P L / 4 CABLE	n/a	65
5008	415V 97 CU1 P L Z / 4 CABLE	n/a	97
5009	415V 194 CU1 P L Z / 3 CABLES + 97 CU1 P L Z	n/a	3x194 & 1x97
5010	415V 185 CU1 P L Z / 3 CABLES + 95 CU1 P L Z	n/a	3x185 & 1x95
5011	9.9 SM48 NYT MF MT Q NY / OPTIC	48F SM L/T U/G OF PE NY	OPTIC/48F
5012	415V 95 CU1 P L Z / 4 CABLE	n/a	95
5013	415V 194 CU1 P L Z / 4 CABLE	n/a	194
5014	415V 185 CU1 P L Z / 4 CABLE	n/a	185
5015	415V 97 CU1 Q Z / 4 CABLE	n/a	97
5016	415V 194 CU1 Q Z / 3 CABLES + 97 CU1 Q Z	n/a	3x194 & 1x97
5017	415V 194 CU1 Q Z / 4 CABLE	n/a	194
5018	415V 97 CU1 P L / 4 CABLE	n/a	97
5019	415V 194 CU1 P L / 3 CABLES + 97 CU1 P L	n/a	3x194 & 1x97
5020	415V 194 CU1 P L / 4 CABLE	n/a	194
5021	415V 70 CU1 Z Z / 4 CABLE	n/a	70
5022	415V 129 CU1 P L / 4 CABLE	n/a	129
5023	415V 185 CU1 Z Z / 4 CABLE	n/a	185
5024	415V 323 CU1 P L / 3 CABLES + 194 CU1 P L	n/a	3x323 & 1x194
5025	415V 323 CU1 P L / 4 CABLE	n/a	323
5026	415V 194 CU1 P L / RIB / 4 CABLE	n/a	194
5027	415V 185 CU1 P L / RIB / 4 CABLE	n/a	185

Code	Known As	Old Description	Short Description
5028	415V 323 CU1 P L Z / 3 CABLES + 194 CU1 P L Z	n/a	3x323 & 1x194
5029	415V 323 CU1 P L Z / 4 CABLE	n/a	323
5030	415V 300 CU1 P L Z / 3 CABLES + 185 CU1 P L Z	n/a	3x300 & 1x185
5031	415V 300 CU1 P L Z / 4 CABLE	n/a	300
5032	415V 323 CU1 Q Z / 3 CABLES + 194 CU1 Q Z	n/a	3x323 & 1x194
5033	415V 323 CU1 Q Z / 4 CABLE	n/a	323
5034	415V 323 CU1 Z Z / 3 CABLES + 194 CU1 Z Z	n/a	3x323 & 1x194
5035	415V 194 CU1 Z Z / 4 CABLE	n/a	194
5036	415V 323 CU1 Z Z / 4 CABLE	n/a	323
5037	415V 194 AL1 Q Z / 4 CABLE	n/a	194AL
5038	415V 323 AL1 Q Z / 3 CABLES + 194 AL1 Q Z	n/a	3x323AL & 1x194AL
5039	415V 323 AL1 Q Z / 4 CABLE	n/a	323AL
5040	415V 185 AL1 Q Z / 4 CABLE	n/a	185AL
5041	415V 300 AL1 Q Z / 3 CABLES + 185 AL1 Q Z	n/a	300 AL /3 + 185 AL /1
5042	415V 300 AL1 Q Z / 4 CABLE	n/a	300AL
5043	415V 300 CU1 P L / 4 CABLE	n/a	300
5044	415V 185 CU1 XQ Z / 4 CABLE	n/a	185
5045	415V 300 CU1 XQ Z / 3 CABLES + 185 CU1 XQ Z	n/a	3x300 & 1x185
5046	415V 300 CU1 XQ Z / 4 CABLE	n/a	300
5047	415V 70 AL1 Z Z / 4 CABLE	n/a	70AL
5048	415V 50 CU1 Z Z / 4 CABLE	n/a	50
5049	415V 39 CU1 Z Z / 4 CABLE	n/a	39
5050	415V 300 AL1 XQ Z / 4 CABLE	n/a	300AL
5051	415V 300 AL1 XQ Z / 3 CABLES + 185 AL1 XQ Z	n/a	3x300AL & 1x185AL
5052	415V 185 AL1 XQ Z / 4 CABLE	n/a	185AL
5053	415V 484 CU1 Z Z / 4 CABLE	n/a	484
5054	415V 484 CU1 Z Z / 3 CABLES + 323 CU1 Z Z	n/a	3x484 & 1x323
5055	415V 484 CU1 Q Z / 4 CABLE	n/a	484
5056	415V 484 CU1 Q Z / 3 CABLES + 323 CU1 Q Z	n/a	3x484 & 1x323
5057	415V 484 CU1 P L Z / 4 CABLE	n/a	484
5058	415V 484 CU1 P L Z / 3 CABLES + 323 CU1 P L Z	n/a	3x484 & 1x323
5059	415V 500 CU1 P L Z / 4 CABLE	n/a	500
5060	415V 500 CU1 P L Z / 3 CABLES + 300 CU1 P L Z	n/a	3x500 & 1x300
5061	415V 500 CU1 XQ Z / 4 CABLE	n/a	500
5062	415V 500 CU1 XQ Z / 3 CABLES + 300 CU1 XQ Z	n/a	3x500 & 1x300
5063	415V 323 AL1 BR BR / 4 CABLE	n/a	323AL
5064	415V 323 AL1 BR BR / 3 CABLES + 258 AL1 BR BR	n/a	3x323AL & 1x258AL
5065	415V 258 AL1 BR BR / 4 CABLE	n/a	258AL
5066	415V 645 CU1 P L / 4 CABLE	n/a	645
5067	415V 645 AL1 Z / 4 CABLE	n/a	645AL
5068	415V 323 CU1 BR BR / 4 CABLE	n/a	323
5069	415V 258 AL1 Q Z / 4 CABLE	n/a	258AL
5070	415V 258 AL1 Q Z / 3 CABLES + 194 AL1 Q Z	n/a	3x258AL & 1x194AL

Code	Known As	Old Description	Short Description
5071	415V 240 AL1 XQ Z / 4 CABLE	n/a	240AL
5072	415V 240 AL1 XQ Z / 3 CABLES + 185 AL1 XQ Z	n/a	3x240AL & 1x185AL
5073	415V 967 CU1 P L / 4 CABLE	n/a	967
5074	415V 967 CU1 P L / 3 CABLES + 645 CU1 P L	n/a	3x968 & 1x645
5075	415V 300 AL1 BR BR / 4 CABLE	n/a	300AL
5076	415V 39 AL1 Z Z / 4 CABLE	n/a	39AL
5077	415V 19 CU1 Z Z / 4 CABLE	n/a	19
5078	415V 19 CU1 Z / 4 CABLE	n/a	19
5079	415V 120 AL1 Q Z / 4 CABLE	n/a	120AL
5080	415V 185 CU1 Q Z / 4 CABLE	n/a	185
5081	415V 194 AL1 XQ Z / 4 CABLE	n/a	194AL
5082	415V 323 AL1 XQ Z / 3 CABLES + 194 AL1 XQ Z	n/a	3x323AL & 1x194AL
5083	415V 323 AL1 XQ Z / 4 CABLE	n/a	323AL
5084	415V 95 AL1 Z / 4 CABLE	n/a	4x95AL PVC
5085	415V 26 CU1 Z Z / 4 CABLE	n/a	26
5086	415V 39 CU1 Z / 4 CABLE	n/a	39
5087	415V 400 AL1 XQ Z / 4 CABLE	n/a	400AL
5088	415V 400 AL1 XQ Z / 3 CABLES + 240 AL1 XQ Z	n/a	3x400AL & 1x240AL
5089	415V 258 AL1 XQ Z / 4 CABLE	n/a	258AL
5090	415V 258 AL1 XQ Z / 3 CABLES + 129 AL1 XQ Z	n/a	3x258AL & 1x129AL
5091	415V 129 AL1 XQ Z / 4 CABLE	n/a	129AL
5092	415V 484 AL1 Z Z / 4 CABLE	n/a	484AL
5093	415V 129 AL1 Z / 4 CABLE	n/a	129AL
5094	415V 95 CU1 Z Z / 4 CABLE	n/a	95
5095	415V 185 CU1 Z Z / 3 CABLES + 95 CU1 Z Z	n/a	3x185 & 1x95
5096	415V 161 CU1 P L / 4 CABLE	n/a	161
5097	415V 323 AL1 BR Z / 4 CABLE	n/a	323AL
5098	415V 25 AL1 Z Z / 4 CABLE	n/a	25AL
5099	415V 39 CU1 P L / 4 CABLE	n/a	39
5100	415V 32 CU1 P L / 4 CABLE	n/a	32
5101	415V 240 AL1 BR BR / 4 CABLE	n/a	240AL
5102	415V 129 CU1 Z Z / 4 CABLE	n/a	129
5103	415V 129 CU1 Z Z / 3 CABLES + 65 CU1 Z Z	n/a	3x129 & 1x65
5104	415V 65 CU1 Z Z / 4 CABLE	n/a	65
5105	415V 1.9 CU1 Z Z / 4 CABLE	n/a	4x1.9
5106	415V 120 CU1 Z Z / 4 CABLE	n/a	120
5107	415V 258 AL1 BR Z / 4 CABLE	n/a	258AL
5108	415V 150 AL1 Z Z / 4 CABLE	n/a	150AL
5109	415V 161 AL1 Z / 4 CABLE	n/a	4x161AL
5110	415V 4.6 CU1 Z / 4 CABLE	n/a	4.6
5111	415V 300 AL1 BR Z / 4 CABLE	n/a	300AL
5112	415V 49 CU1 XQ Z / 4 CABLE	n/a	49
5113	415V 161 AL1 XQ Z / 4 CABLE	n/a	161AL



Code	Known As	Old Description	Short Description
5114	415V 150 CU1 Z / 4 CABLE	n/a	150
5115	415V 26 CU1 P L / 4 CABLE	n/a	26
5116	415V 484 CU1 P L / 4 CABLE	n/a	484
5117	415V 484 CU1 P L / 3 CABLES + 323 CU1 P L	n/a	3x484 & 1x323
5118	415V 70 CU1 Z Z / 7 CABLES	n/a	7x70
5119	415V 15 CU1 Z Z / 2 CABLE	n/a	2x15
5120	415V 15 CU2 Z Z / 2 CABLE	n/a	2x15 TWIN
5121	415V 500 CU1 XQ Z / 7 CABLES	n/a	7x500
5122	415V 300 AL1 XQ Z / 7 CABLES	n/a	7x300AL
5123	415V 258 AL1 XQ Z / 3 CABLES + 194 AL1 XQ Z	n/a	3x258AL & 1x194AL
5124	415V 50 CU1 Z Z / 3 CABLES	n/a	3x50
5125	415V 70 CU1 Z Z / 8 CABLES	n/a	8x70
5126	415V 129 AL1 XQ Z / 7 CABLES	n/a	7x129AL
5127	415V 150 CU1 Z / 3 CABLES + 120 CU1 Z Z	n/a	3x150 & 1x120
5128	415V 15 CU1 Z Z / 3 CABLES	n/a	3x15
5129	415V 35 CU1 Z Z / 3 CABLES	n/a	3x35
5130	415V 323 AL1 Q Z / 3 CABLES	n/a	3x323AL
5131	415V 39 CU1 Z Z / 3 CABLES + 39 CU1 Z	n/a	3x39 & 1x39
5132	415V 4.6 CU1 Z / 2 CABLE	n/a	2x4.6
5133	415V 300 CU1 P L Z / 3 CABLES	n/a	3x300
5134	415V 65 CU1 P L / 3 CABLES + 39 CU1 P L	n/a	3x65 & 1x39
5135	415V 194 CU1 P L / RIB / 3 CABLES + 97 CU1 P L	n/a	3x194 & 1x97
5136	415V 323 CU1 P L / 3 CABLES	n/a	3x323
5137	415V 185 CU1 Q Z / 7 CABLES	n/a	7x185
5138	415V 300 AL1 Q Z / 7 CABLES	n/a	7x300AL
5139	415V 194 CU1 P L Z / 3 CABLES + 194 CU1 P L / RIB	n/a	3x194 & 1x194
5140	415V 194 CU1 P L Z / 3 CABLES	n/a	3x194
5141	415V 484 AL1 Z Z / 10 CABLES	n/a	484AL
5142	415V 185 CU1 P L Z / 7 CABLES	n/a	7x185
5143	415V 185 CU1 XQ Z / COM / #COLOUR / 4 CABLE	n/a	185
5144	415V 323 AL1 Q Z / 7 CABLES	n/a	7x323AL
5145	415V 484 CU1 P L Z / 10 CABLES	n/a	10x484
5146	415V 484 CU1 P L Z / 2 CABLE	n/a	2x484
5147	415V 484 CU1 P L Z / 3 CABLES	n/a	3x484
5148	415V 323 CU1 Q Z / 7 CABLES	n/a	7x323
5149	415V 323 CU1 P L Z / 3 CABLES	n/a	3x323
5150	415V 484 CU1 P L Z / 6 CABLE	n/a	6x484
5151	415V 194 CU1 P L / 7 CABLES	n/a	7x194
5152	415V 185 CU1 P L Z / 3 CABLES	n/a	3x185
5153	415V 300 AL1 XQ Z / 3 CABLES + 120 CU1 Z Z	n/a	3x300AL & 1x120
5154	415V 185 AL1 Q Z / 7 CABLES	n/a	7x185AL
5155	415V 300 CU1 P H L Z / 4 CABLE	n/a	4x300
5156	415V 300 CU1 P L / 3 CABLES	n/a	3x300

Code	Known As	Old Description	Short Description
5157	415V 4.6 CU1 Z / 3 CABLES	n/a	3x4.6
5158	415V 194 CU1 P L / 3 CABLES + 194 AL1 Q Z	n/a	3x194 & 1x194AL
5159	415V 194 CU1 P L Z / 3 CABLES + 194 AL1 Q Z	n/a	3x194 & 1x194AL
5160	415V 323 AL1 P AL(N) Z / 3 CABLES	n/a	3x323AL
5161	415V 300 CU1 XQ Z / 7 CABLES	n/a	7x300
5162	415V 300 CU1 P L Z / 3 CABLES + 185 CU1 P L / RIB	n/a	3x300 & 1x185
5163	415V 323 CU1 P L / 3 CABLES + 185 CU1 P L Z	n/a	3x323 & 1x194
5164	415V 323 CU1 P L / 3 CABLES + 194 CU1 P L	n/a	3x323 & 1x161
5165	415V 16 CU1 Z Z / 4 CABLE	n/a	4x16
5166	415V 15 CU1 Z Z + 22 HDCU1 / N	n/a	1x22 & 1x15
5167	415V 240 CU1 Z Z / 4 CABLE	n/a	4x240
5168	415V 194 CU1 Z Z / 3 CABLES	n/a	3x194
5169	415V 194 CU1 P L / RIB / 3 CABLES	n/a	3x194
5170	415V 35 CU1 Z Z / 2 CABLE	n/a	2x35
5171	415V 25 CU1 Z Z / 3 CABLES + 16 CU1 Z CU(N) YQ	n/a	3x25 & 1x16
5172	415V 15 CU1 Z Z / X 2 + 185 AL1 XQ Z / X 3 + 70 HDCU1 / NEUT	n/a	2x15 & 1x6.4
5173	415V 9.4 CU1 Z Z / 3 CABLES + 22 HDCU1	n/a	3x9.4 & 1x22
5174	415V 97 CU1 P L Z / 3 CABLES + 50 CU1 Z Z	n/a	3x97 & 1x50
5175	415V 300 CU1 P L Z / 3 CABLES + 194 CU1 P L / RIB	n/a	3x300 & 1x194
5176	415V 15 CU1 Z CU(N) YQ / 2 CABLE	n/a	2x15
5177	415V 39 CU2 Z Z / 2 CABLE	n/a	2x39
5178	415V 185 CU1 XQ Z / 2 CABLE	415V 185 CU1 XQ Z / 2 CABLE	185 CU1
5179	415V 240 CU1 XQ Z / 4 CABLE		240
5180	415V 240 AL 1 XQ Z / 3 CABLES + 120 AL 1 XQ Z / N		3x240AL + 1x120AL
12001	11KV 16 CU1 XQ CU(WS) H Z / 3 CABLES	n/a	3x16
12002	11KV 26 CU1 P L / 3 CABLES	n/a	3x26
12003	11KV 35 AL1 XQ CU(WS) Z / 3 CABLES	n/a	3x35AL
12004	11KV 32 CU1 P L / 3 CABLES	n/a	3x32
12005	11KV 39 CU1 P H L Z / 3 CABLES	n/a	3x39
12006	11KV 50 CU1 P H L Z / 3 CABLES	n/a	3x50
12007	11KV 39 CU1 P H L / 3 CABLES	n/a	3x39
12008	11KV 65 CU1 P L Z / 3 CABLES	n/a	3x65
12009	11KV 65 CU1 XQ H Z / 3 CABLES	n/a	3x65
12010	11KV 97 CU1 P H L Z / 3 CABLES	n/a	3x97
12012	11KV 97 CU1 P L / 3 CABLES	n/a	3x97
12013	11KV 97 CU1 P H L / 3 CABLES	n/a	3x97
12014	11KV 97 CU1 P L Z / 3 CABLES	n/a	3x97
12015	11KV 129 CU1 P H L Z / 3 CABLES	n/a	3x129
12016	11KV 161 CU1 P L Z / 3 CABLES	n/a	3x161
12017	11KV 161 CU1 P L / 3 CABLES	n/a	3x161
12018	11KV 194 CU1 P L Z / 3 CABLES	n/a	3x194
12019	11KV 194 CU1 P H L Z / 3 CABLES	n/a	3x194

Code	Known As	Old Description	Short Description
12020	11KV 185 CU1 P H L Z / 3 CABLES	n/a	3x185
12021	11KV 194 CU1 P L / 3 CABLES	n/a	3x194
12022	11KV 185 CU1 P L Z / 3 CABLES	n/a	3x185
12023	11KV 258 CU1 P L / 3 CABLES	n/a	3x258
12024	11KV 258 AL1 P H L Z / 3 CABLES	n/a	3x258AL
12025	11KV 258 CU1 P L Z / 3 CABLES	n/a	3x258
12026	11KV 323 CU1 P H L Z / 3 CABLES	n/a	3x323
12027	11KV 300 CU1 P H L Z / 3 CABLES	n/a	3x300
12028	11KV 323 CU1 P H L / 3 CABLES	n/a	3x323
12029	11KV 484 CU1 P H L Z / 3 CABLES	n/a	3x484
12030	11KV 500 CU1 P H L Z / 3 CABLES	n/a	3x500
12031	11KV 484 CU1 P H L / 3 CABLES	n/a	3x484
12032	11KV 500 AL1 P H L Z / 3 CABLES	n/a	3x500AL
12033	11KV 484 AL1 P H L Z / 3 CABLES	n/a	3x484AL
12034	11KV 500 AL1 P L Z / 3 CABLES	n/a	3x500AL
12035	11KV 645 CU1 P H L Z / 3 CABLES	n/a	3x645
12036	11KV 645 CU1 P H L / 3 CABLES	n/a	3x645
12037	11KV 630 CU1 P H L Z / 3 CABLES	n/a	3x630
12038	11KV 630 CU1 XQ CU(WS) Z / 3 CABLES	n/a	3x630
12039	11KV 968 CU1 P H L Z / 3 CABLES	n/a	3x968
12040	11KV 1000 CU1 P H L Z / 3 CABLES	n/a	3x1000
12041	11KV 630 AL1 P H L Z / 3 CABLES	n/a	3x630AL
12042	11KV 185 CU1 P L YQ / 3 CABLES	n/a	3x185
12043	11KV 194 CU1 P L / 2 CABLE + 194 CU1 P L Z	n/a	2x194 & 1x194
12044	11KV 300 CU1 P H L YQ / 3 CABLES	n/a	3x300
12045	11KV 300 AL3 XQ MB CU(WS) Z YQ / 90DEG	n/a	3x95
12046	11KV 400 AL3 XQ MB CU(WS) Z YQ / 90DEG	n/a	3x1.0AL
12047	11KV 500 CU3 G XQ G CU(WS) Z YQ		500 CU3
12048	11KV 300 CU3 G XQ G CU(WS) Z YQ		300 CU3
12050	11KV 70 CU1 EPR CU(WS) YQ / 70DEG		3x70
12051	11KV 185 CU1 EPR CU(WS) YQ / 70DEG		185
12052	11KV 300 CU1 EPR 35 CU(WS) Z YQ / 1 DUCT / 70DEG		3x300
12053	11KV 95 AL3 EPR CU(WS) Z YQ / ISC / 70DEG		95 AL
12054	11KV 150 CU3 EPR CU(WS) Z YQ / ISC / 70DEG		150
12055	11KV 185 AL3 EPR CU(WS) Z YQ / ISC / 70DEG		185 AL
12056	11KV 300 AL3 XQ MB CU(WS) Z YQ / ISC / 70DEG		300 AL
12057	11KV 400 AL3 XQ MB CU(WS) Z YQ / ISC / 75DEG		400 AL
12058	11KV 35 AL1 EPR CU(WS) YQ / 70DEG		3x35 AL
12059	11KV 630 CU1 EPR CU(WS) Z YQ / 70DEG		3x630
12080	11KV 500 AL3 XQ MT CU(WS) Z YQ / ISC / 70DEG		500 AL3
12081	11KV 150 AL3 P L SW J		150 AL3
13010	506 AAC1	61/3.25 AAC	URANUS 506AL
13012	337 AAC1	19/4.75 AAC	TAURUS 337AL

Code	Known As	Old Description	Short Description
13014	158 AAC2 / 2 COND/PH	19/3.25 AL6/OH BUND	158 AAC2
17001	33KV 161 CU1 P H L / 3 CABLES	n/a	3x161
17002	33KV 161 CU1 P H L Z / 3 CABLES	n/a	3x161
17003	33KV 226 CU1 P H L / 3 CABLES	n/a	3x226
17004	33KV 226 CU1 P H L Z / 3 CABLES	n/a	3x226
17005	33KV 150 CU1 P H L Z / 3 CABLES / #1270Q/00	n/a	3x150
17006	33KV 240 CU1 P H L Z / 3 CABLES	n/a	3x240
17007	33KV 258 CU1 P H AL Z / GP / 3 CABLES	n/a	3x258
17008	33KV 3x1149	n/a	3x323
17009	33KV 3x1150	n/a	3x387
17010	33KV 3x1153	n/a	3x161
17011	33KV 3x1158	n/a	3x258AL
17012	33KV 3x1159	n/a	3x484AL
17013	33KV 3x1160	n/a	3x484
17014	33KV 3x1161	n/a	3x323
17015	33KV 3x1174	n/a	3x300
17016	33KV 3x1176	n/a	3x500
17017	33KV 3x1178	n/a	3x645AL
17018	33KV 3x1179	n/a	3x630
17019	33KV 3x1180	n/a	3x645
17020	33KV 3x1181	n/a	3x968AL
17021	33KV 3x1182	n/a	3x548AL
17022	33KV 3x1183	n/a	3x500AL
17023	33KV 3x1184	n/a	3x630AL
17024	33KV 3x1185	n/a	3x645
17025	33KV 3x1186	n/a	3x645AL
17026	33KV 3x1188	n/a	3x800AL
17027	33KV 3x1189	n/a	3x1000AL
17028	33KV 3x1190	n/a	3x1000
25000	9.9 SM72 NYT F RC Q NY / OPTIC		OPTIC/72F
25001	.64 CU30PR Q P L Z / UT	.64 CU30PR QPLZ/UT TEL	NO SHORT DESC
25002	.64 CU50PR Q P L Z / UT TEL	.64 CU50PR QPLZ/UT TEL	NO SHORT DESC
25003	.64 CU100PR Q P L Z / UT TEL	.64 CU100PR QPLZ/UT TEL	NO SHORT DESC
25004	1 CU20 Q P Q SW YQ	1.0 CU20 QHQ SWYQ	NO SHORT DESC
25005	.66 CU6PR Z H Z / T	1/.036 CU6PR ZHZ/T	NO SHORT DESC
25006	.98 CU10PR Z Z SW Z / T	1/.044 CU10PR ZZ SWZ/T	NO SHORT DESC
25007	.66 CU10PR Z H Z / T	1/.036 CU10PR ZHZ/T	NO SHORT DESC
25008	.98 CU10PR Z Z SW Z	1/.044 CU10 ZZ SWZ	NO SHORT DESC
25009	.66 CU20 Q Z SW Z	.001(1/.036) CU20 QZ SWZ	NO SHORT DESC
25010	1 CU10 Q Q / Q	1/1.13 10 CORE CU Q/Q	NO SHORT DESC
25011	2.5 CU10 Z Z	7/.67 CU10 ZZ	NO SHORT DESC
25012	.64 CU30PR Q MB YQ / UT TEL	.64 CU30PR QMB/UT TEL	NO SHORT DESC
25013	9.9 SM120 NYT F RC PT Q NY / OPTIC / #BROWN	120F FIBRE OPTIC MAIN CABLE	OPTIC/120F

Code	Known As	Old Description	Short Description
		/BROWN	
25014	9.9 SM44 + 62.5 GI16 NYT F RC PT Q NY / OPTIC / #GREEN	60F FIBRE OPTIC INTERMEDIATE CABLE/GREEN	OPTIC/44+16F
25015	9.9 SM4 + 62.5 GI2 LC F PT Q NY / OPTIC / #GREY	6F FIBRE OPTIC RADIAL CABLE /GREY	OPTIC/4+12F
25016	9.9 SM4 + 62.5 GI2 K Z RC PT Z / OPTIC / #WHITE	6F OPTICAL FIBRE RISER CABLE /WHITE	NO SHORT DESC
25017	9.9 SM36 NYT F RC PT Q Z NY / OPTIC / #YELLOW	36F FIBRE OPTIC BACKBONE CABLE /YELLOW	OPTIC/36F
25018	9.9 SM12 + 62.5 GI12 NYT F RC PT Q NY / OPTIC / #BLUE	36F FIBRE OPTIC BACKBONE CABLE /YELLOW	OPTIC/12+12F
25019	1.29 CU60 P L DT Z		1.29 CU60
25020	1.94 CU60 Z Z		1.94 CU60
32001	1.5 CU4 Q Q Z NY / TR / #RED	1.5 CU4 QQZ NY/TR (RED)	NO SHORT DESC
32002	1.5 CU4 Q Q Z NY / TR / #WHITE	1.5 CU4 QQZ NY/TR (WHITE)	NO SHORT DESC
32003	1.5 CU4 Q Q Z NY / TR / #BLUE	1.5 CU4 QQZ NY/TR (BLUE)	NO SHORT DESC
32004	4.5 CU3 P H + .82 CU3PR P L SW J / BV	7.9 CU3PR PL SWZ/BV TEL	NO SHORT DESC
32005	1.5 CU30PR Q Q Z SW J	1.5 CU30PR QQZ SWJ	NO SHORT DESC
32006	4 CU3 P H L SW J / BV M	4 CU3 PL SWJ/BV/M	NO SHORT DESC
32007	1.5 CU4 Q + 1 CU8PR Q Q Z SW Z / Q / T / TR	1.5 CU4Q 1CU8PR QQZ SWZ/QTTR	NO SHORT DESC
37008	/ #14 PAIR / #PILOT / #FOR 132KV	n/a	NO SHORT DESC
37010	/ #16 PAIR / #PILOT / #FOR 132KV	n/a	NO SHORT DESC
37012	/ #25 PAIR / #PILOT / #FOR 132KV	n/a	25 PR
37014	/ #26 PAIR / #PILOT / #FOR 132KV	n/a	NO SHORT DESC
37015	/ #28 PAIR / #PILOT / #FOR 132KV	n/a	NO SHORT DESC
37016	/ #30 PAIR / #PILOT / #FOR 132KV	n/a	NO SHORT DESC
37017	/ #54 PAIR / #PILOT / #FOR 132KV	n/a	NO SHORT DESC
37018	/ #100 PAIR / #PILOT / #FOR 132KV	n/a	NO SHORT DESC
37020	/ #80 PAIR / #PILOT / #FOR 132KV	n/a	NO SHORT DESC
37026	1.27 CU90PR Q Q H Z SW J / Q / TEL	n/a	NO SHORT DESC
50060	22 CU1	1x7/.080	1x22
51001	415 7 HDCU1	1x7/.044	1x7
51002	7 HDCU2	2x7/.044	2x7
51003	7 HDCU3 + 15 HDCU1	3x7/.044 & 1x7/.064	3x7 & 1x15
51004	415 15 HDCU1	1x7/.064	1x15
51005	15 HDCU2	2x7/.064	2x15
51006	15 HDCU3	3x7/.064	3x15
51007	15 HDCU4	4x7/.064	4x15
51008	15 HDCU1 + 7 HDCU1	1x7/.064 & 1x7/.044	1x15 & 1x7
51009	15 HDCU2 + 19 AAC1	2x7/.064 & 1x7/.074AL	2x15 & 1x19AL
51010	15 HDCU3 + 7 HDCU1	3x7/.064 & 1x7/.044	3x15 & 1x7
51011	415 19 AAC1	1x7/.074AL	1x19AL
51012	19 AAC2	2x7/.074AL	2x19AL
51013	19 AAC3	3x7/.074AL	3x19AL
51014	22 HDCU2	2x7/.080 or 2x7/2.0	2x22

Code	Known As	Old Description	Short Description
51015	22 HDCU3	3x7/.080 or 3x7/2.0	3x22
51016	22 HDCU4	4x7/.080 or 4x7/2.0	4x22
51017	22 HDCU7	7x7/.080 or 7x7/2.0	7x22
51018	22 HDCU2 + 15 HDCU1	2x7/.080 & 1x7/.064	2x22 & 1x15
51019	22 HDCU2 + 19 AAC1	2x7/.080 & 1x7/.074AL	2x22 & 1x19AL
51020	22 HDCU3 + 15 HDCU1	3x7/.080 & 1x7/.064	3x22 & 1x15
51021	22 HDCU3 + 40 HDCU1	3x7/.080 & 1x19/.064	3x22 & 1x40
51022	22 HDCU3 + 66 HDCU1	3x7/.080 & 1x19/.083	3x22 & 1x66
51023	415 28 AAC1	1x7/2.25AL	1x28AL
51024	28 AAC2	2x7/2.25AL	2x28AL
51025	28 AAC3	3x7/2.25AL	3x28AL
51026	38 HDCU3	3x7/.104	3x38
51027	38 HDCU4	4x7/.104	4x38
51028	38 HDCU7	7x7/.104	7x38
51029	38 HDCU8	8x7/.104	8x38
51030	38 HDCU2 + 22 HDCU2	2x7/.104 & 2x7/.080	2x38 & 2x22
51031	38 HDCU3 + 22 HDCU1	3x7/.104 & 1x7/.080	3x38 & 1x22
51032	38 HDCU3 + 40 HDCU1	3x7/.104 & 1x19/.064	3x38 & 1x40
51033	38 HDCU3 + 66 HDCU1	3x7/.104 & 1x19/.083	3x38 & 1x66
51034	38 HDCU3 + 66 HDCU1 + 15 HDCU1	3x7/.104 1x19/.083 & 1x7/.064	3x38 1x66 & 1x15
51035	38 HDCU3 + 110 AAC1 + 40 HDCU1	3x7/.104 2x7/.173AL & 1x19/.064	3x38 + 2x110AL + 1X40
51036	38 HDCU6 + 22 HDCU1	6x7/.104 & 1x7/.080	6x38 & 1x22
51037	38 HDCU4 + 66 HDCU3	4x7/.104 & 3x19/.083	4x38 & 3x66
51038	38 HDCU4 + 160 AAC2	4x7/.104 & 2x19/.128AL	4x38 & 2x160AL
51039	38 HDCU6 + 22 HDCU2	6x7/.104 & 2x7/.080	6x38 & 2x22
51040	38 HDCU7 + 22 HDCU1	7x7/.104 & 1x7/.080	7x38 & 1x22
51041	40 HDCU3	3x19/.064	3x40
51042	40 HDCU4	4x19/.064	4x40
51043	40 HDCU7	7x19/.064	7x40
51044	40 HDCU2 + 22 HDCU2	2x19/.064 & 2x7/.080	2x40 & 2x22
51045	40 HDCU2 + 38 HDCU2	2x19/.064 & 2x7/.104	2x40 & 2x38
51046	40 HDCU3 + 22 HDCU1	3x19/.064 & 1x7/.080	3x40 & 1x22
51047	40 HDCU3 + 66 HDCU1	3x19/.064 & 1x19/.083	3x40 & 1x66
51048	40 HDCU4 + 22 HDCU3	4x19/.064 & 3x7/.080	4x40 & 3x22
51049	415 31 HDCU1	1x7/.093	1x31
51050	40 HDCU7 + 22 HDCU1	7x19/.064 & 1x7/.080	7x40 & 1x22
51051	40 AAC4	n/a	4x40AL
51052	415 50 AAC1	1x7/.118AL	1x50AL
51053	60 HDCU2	2x19/2.0	2x60
51054	60 HDCU4	4x19/2.0	4x60
51055	64 AAC2	2x7/.134AL	2x64AL
51056	64 AAC3	3x7/.134AL	3x64AL
51057	64 AAC4	4x7/.134AL	4x64AL

Code	Known As	Old Description	Short Description
51058	66 HDCU2	2x19/.083	2x66
51059	66 HDCU3	3x19/.083	3x66
51060	66 HDCU4	4x19/.083	4x66
51061	66 HDCU7	7x19/.083	7x66
51062	66 HDCU8	8x19/.083	8x66
51063	66 HDCU1 + 40 HDCU1	1x19/.083 & 1x19/.064	1x66 & 1x40
51064	66 HDCU3 + 15 HDCU1	3x19/.083 & 1x7/.064	3x66 & 1x15
51065	66 HDCU3 + 22 HDCU1	3x19/.083 & 1x7/.080	3x66 & 1x22
51066	66 HDCU3 + 40 HDCU1	3x19/.083 & 1x19/.064	3x66 & 1x40
51067	66 HDCU3 + 110 AAC1	3x19/.083 & 1x7/.173AL	3x66 & 1x110AL
51068	66 HDCU3 + 38 HDCU3 + 22 HDCU1	3x19/.083 3x7/.104 & 1x7/.080	3x66 3x38 & 1x22
51069	66 HDCU4 + 22 HDCU1	4x19/.083 & 1x7/.080	4x66 & 1x22
51070	66 HDCU4 + 110 AAC2	4x19/.083 & 2x7/.173AL	4x66 & 2x110AL
51071	66 HDCU4 + 22 HDCU3	4x19/.083 & 3x7/.080	4x66 & 3x22
51072	66 HDCU4 + 22 HDCU4	4x19/.083 & 4x7/.080	4x66 & 4x22
51073	66 HDCU4 + 38 HDCU4	4x19/.083 & 4x7/.104	4x66 & 4x38
51074	66 HDCU4 + 40 HDCU4	4x19/.083 & 4x19/.064	4x66 & 4x40
51075	66 HDCU4 + 22 HDCU3 + 15 HDCU1	4x19/.083 3x7/.080 7 1x7/.064	4x66 3x22 & 1x15
51076	66 HDCU4 + 22 HDCU3 + 40 HDCU1	4x19/.083 3x7/.080 & 1x19/.064	4x66 3x22 & 1x40
51077	66 HDCU4 + 38 HDCU3 + 22 HDCU1	4x19/.083 3x7/.104 & 1x7/.080	4x66 3x38 & 1x22
51078	66 HDCU4 + 40 HDCU3 + 22 HDCU1	4x19/.083 3x19/.064 & 1x7/.080	4x66 3x40 & 1x22
51079	66 HDCU4 + 38 HDCU4 + 160 AAC2	4x19/.083 4x7/.104 & 2x19/.128AL	4x66 4x38 & 2x160AL
51080	66 HDCU5 + 22 HDCU3	5x19/.083 & 3x7/.080	5x66 & 3x22
51081	66 HDCU5 + 38 HDCU3	5x19/.083 & 3x7/.104	5x66 & 3x38
51082	66 HDCU6 + 22 HDCU1	6x19/.083 & 1x7/.080	6x66 & 1x22
51083	66 HDCU6 + 40 HDCU1	6x19/.083 & 1x19/.064	6x66 & 1x40
51084	66 HDCU6 + 22 HDCU2 + 40 HDCU1	6x19/.083 2x7/.080 & 1x19/.064	6x66 2x22 & 1x40
51085	66 HDCU7 + 40 HDCU1	7x19/.083 & 1x19/.064	7x66 & 1x40
51086	66 HDCU8 + 40 HDCU1	8x19/.083 & 1x19/.064	8x66 & 1x40
51087	66 HDCU9 + 38 HDCU3	9x19/.083 & 3x7/.104	9x66 & 3x38
51088	98 HDCU4	4x19/.101	4x98
51089	98 HDCU4 + 66 HDCU4	4x19/.101 & 4x19/.083	4x98 & 4x66
51090	98 HDCU4 + 66 HDCU3 + 40 HDCU1	4x19/.101 3x19/.083 & 1x19/.064	4x98 & 3x66 & 1x40
51091	110 AAC2	2x7/.173AL	2x110AL
51092	110 AAC4	4x7/.173AL	4x110AL
51093	110 AAC6	6x7/.173AL	6x110AL
51094	110 AAC7	7x7/.173AL	7x110AL
51095	110 AAC8	8x7/.173AL	8x110AL
51096	110 AAC4 + 38 HDCU4	4x7/.173AL & 4x7/.104	4x110AL & 4x38
51097	110 AAC4 + 66 HDCU4	4x7/.173AL & 4x19/.083	4x110AL & 4x66
51098	110 AAC4 + 22 HDCU3 + 40 HDCU1	4x7/.173AL 3x7/.080 & 1x19/.064	4x110AL 3x22 & 1x40
51099	110 AAC7 + 66 HDCU4	7x7/.173AL & 4x19/.083	7x110AL & 4x66

Code	Known As	Old Description	Short Description
51100	111 AAC3	3x7/4.5AL	3x111AL
51101	111 AAC4	4x7/4.5AL	4x111AL
51102	160 AAC4	4x19/.128AL	4x160AL
51103	160 AAC4 + 66 HDCU4	4x19/.128AL & 4x19/.083	4x160AL & 4x66
51104	160 AAC4 + 110 AAC2	4x19/.128AL & 2x7/.173AL	4x160AL & 2x110AL
51105	65 HDCU4	4x7/.136	4x65
51106	60 HDCU7	7x19/2.0	7x60
51107	111 AAC7	7x7/4.5AL	7x111AL
51108	111 AAC2	2x7/4.5AL	2x111AL
51110	111 AAC8	8X7/4.5AL	8x111AL
51111	160 AAC4 + 38 HDCU3	4x19/.128AL & 3x7/.104	4x160AL & 3x38
51112	60 HDCU4 + 22 HDCU3	4x19/2.0 & 3x7/2.0	4x60 & 3x22
51113	77 AAC3	3x7/3.75AL	3x77AL
51114	22 HDCU1	1x7/2.0	1x22
51115	34 AAAC1	1x7/2.5AL	CHLORINE 34AL
51116	77 AAC4	4x7/3.75AL	4x77AL
51117	65 HDCU3 + 38 HDCU1	3x7/.136 & 1x7/.104	3x65 & 1x38
51118	50 AAC4	4x7/.118AL	4x50AL
51120	157 AAC4	4x19/3.25AL	4x157AL
51121	111 AAC1	1x7/4.5AL	111AL
51123	110 AAC3 + 111 AAC1	3x7/.173AL & 1x7/4.5AL	3x110AL & 1x111AL
51124	22 HDCU2 + 65 HDCU1	2x7/.080 & 1x7/.136	2x22 & 1x65
51125	60 HDCU3	3x19/2.0	3x60
51127	65 HDCU4 + 111 AAC3	4x7/.136 & 3x7/4.5AL	4x65 & 3x111AL
51128	22 HDCU4 + 111 AAC3	4x7/.080 & 3x7/4.5AL	4x22 & 3x111AL
51129	77 AAC2	2x7/3.75AL	2x77AL
51131	38 HDCU2	2x7/.104	2x38
51133	111 AAC2 + 110 AAC2	2x7/4.5AL & 2x7/.173AL	2x111AL & 2x110AL
51136	337 AAC4	4x19/4.75AL	4x337AL
51137	16 HDCU2	2x7/1.70	2x16
51138	16 HDCU4	4x7/1.70	4x16
51140	111 AAC4 + 110 AAC4	4x7/4.5AL & 4x7/.173AL	4x111AL & 4x110AL
51141	38 HDCU1 + 22 HDCU2 + 15 HDCU1	1x7/.104 2x7/.080 & 1x7/.064	1x38 2x22 1x15
51144	42 HDCU4	4x7/2.75	4x42
51145	111 AAC2 + 64 AAC2	2x7/4.5AL & 2x7/.134AL	2x111AL & 2x64AL
51146	42 HDCU2	2x7/2.75	2x42
51147	22 HDCU3 + 38 HDCU1	3x7/.080 & 1x7/.104	3x22 & 1x38
51148	7 HDCU4	4x7/1.12 or 4x7/.044	7
51149	7 HDCU3	3x7/1.12 or 3x7/.044	3x7
51150	64 AAC3 + 111 AAC1	3x7/.134AL & 1x7/4.5AL	3x64AL & 1x111AL
51151	111 AAC3 + 50 AAC4	3x7/4.5AL & 4x7/3.0AL	3x111AL & 4x50AL
51153	50 AAC2	2x7/3.0AL	2x50AL
51154	415 40 HDCU3 & 38 HDCU1	3x19/.064 & 1x7/.104	3x40 & 1x38



Code	Known As	Old Description	Short Description
51155	415 98 HDCU4 & 22 HDCU4	4x19/2.56 & 4x7/2.0	4x98 & 4x22
51156	415 22 HDCU12	12x7/.080	12x22
51157	415 65 HDCU4 & 22 HDCU4	4x7/.136 & 4x7/.080	4x65 & 4x22
51158	415 60 HDCU3 & 38 HDCU4	3x19/2.0 & 4x7/.104	3x60 & 4x38
51159	415 64 AAC5	5x7/.134AL	5x64AL
51160	214 AAC4	4x19/.149AL	CHAFFER 214AL
51161	415 22 HDCU8 Z	8x7/.080 PVC	8x22 PVC
51162	415 22 HDCU2 & 111 AAC1	2x7/.080 & 1x7/4.5AL	2x22 & 1x111AL
51163	415 15 HDCU2 & 22 HDCU1	2x7/.064 & 1x7/.080	2x15 & 1x22
51164	415 210 AAC4	4x19/3.75AL	4x210AL
51165	415 210 AAC3	3x19/3.75AL	3x210AL
51166	415 67 HDCU3	3x7/3.5	3x67
51167	415 111 AAC3 & 77 AAC1	3x7/4.5AL & 1x7/3.75AL	3x111AL & 1x77AL
51168	415 111 AAC4 & 64 AAC3	4x7/4.5AL & 3x7/.134AL	4x111AL & 3x64AL
51169	415 65 HDCU4 & 60 HDCU3	4x7/.136 & 3x19/2.0	4x65 & 3x60
51170	415 77 AAC3 & 111 AAC1	3x7/3.75AL & 1x7/4.5AL	3x77AL & 1x111AL
51171	415 50 AAC3	3x7/.118AL or 3x7/3.0AL	3x50AL
51172	415 15 HDCU6	3x7/.064	6x15
51173	415 65 HDCU4 & 31 HDCU4	4x7/.134 & 4x7/.093	4x65 & 4x31
51174	67 HDCU4	4x7/3.5	4x67
51175	66 HDCU6 + 40 HDCU2	6x19/.083 & 2x19/.064	6x66 & 2x40
51176	15 HDCU2 + 7 HDCU1	2x7/.064 & 2x7/.044	2x15 & 2x7
51177	19 AAC4	4x7/.074AL	4x19AL
51178	15 HDCU2 + 7 HDCU1	2x7/.064 & 1x7/.044	2x15 & 1x7
51179	22 HDCU3 + 7 HDCU1	3x7/.080 & 1x7/.044	3x22 & 1x7
51180	110 AAC4 + 22 HDCU3 + 66 HDCU1 + 15 HDCU1	4x7/.173AL 3x7/.080 1x9/.083 1x7/.064	4x110AL 3x22 1x66 1x15
51181	66 HDCU3 + 38 HDCU1	3x19/.083 & 1x7/.104	3x66 & 1x38
51182	110 AAC4 + 22 HDCU3 + 15 HDCU1	4x7/.173AL 3x7/.080 & 1x7/.064	4x110AL, 3x22 & 1x15
51183	22 HDCU4 + 15 HDCU1	4x7/.080 & 1x7/.064	4x22 & 1x15
51184	66 HDCU3 + 40 HDCU4 + 22 HDCU1	3x19/.083 4x19/.064 & 1x7/.080	3x66 4x40 & 1x22
51185	66 HDCU9 + 40 HDCU1	9x19/.083 & 1x19/.064	9x66 & 1x40
51186	66 HDCU7 + 22 HDCU1	7x19/.083 & 1x7/.080	7x66 & 1x22
51187	66 HDCU5 + 40 HDCU3	5x19/.083 & 3x19/.064	5x66 & 3x40
51188	7 HDCU2 + 15 HDCU1	2x7/.044 & 1x7/.064	2x7 & 1x15
51189	66 HDCU5 + 40 HDCU1	5x19/.083 & 1x19/.064	5x66 & 1x40
51190	28 AAC4	4x7/2.25AL	4x28AL
51191	66 HDCU4 + 40 HDCU1	4x19/.083 & 1x19/.064	4x66 & 1x40
51192	22 HDCU1 + 15 HDCU1	1x7/.080 & 1x7/.064	1x22 & 1x15
51193	60 HDCU3 + 22 HDCU1	3x19/2.0 & 1x7/2.0	3x60 & 1x22
51194	15 HDCU3 + 22 HDCU1	3x7/.064 & 1x7/.080	3x15 & 1x22
51195	110 AAC1	1x7/.173AL	1x110AL
51196	66 HDCU7 + 40 HDCU2	7x19/.083 & 2x19/.064	7x66 & 2x40

Code	Known As	Old Description	Short Description
51197	28 AAC3 + 19 AAC1	3x7/2.25AL & 1x7/.074AL	3x28AL & 1x19AL
51198	22 HDCU2 + 7 HDCU2	2x7/.080 & 2x7/.044	2x22 & 2x7
51199	22 HDCU1 + 15 HDCU1 + 7 HDCU1	1x7/.080 1x7/.064 & 1x7/.044	1x22 1x15 & 1x7
51200	22 HDCU1 + 7 HDCU1	1x7/.080 & 1x7/.044	1x22 & 1x7
51201	66 HDCU2 + 40 HDCU2	2x19/.083 & 2x19/.064	2x66 & 2x40
51202	66 HDCU3 + 40 HDCU1 + 22 HDCU1	3x19/.083 1x19/.064 & 1x7/.080	3x66 1x40 & 1x22
51203	66 HDCU3 + 40 HDCU3 + 22 HDCU1	3x19/.083 3x19/.064 & 1x7/.080	3x66 3x40 & 1x22
51204	66 HDCU9 + 40 HDCU2	9x19/.083 & 2x19/.064	9x66 & 2x40
51205	66 HDCU7 + 22 HDCU3	7x19/.083 & 3x7/.080	7x66 & 3x22
51206	19 AAC1 + 7 HDCU2	1x7/.074AL & 2x7/.044	1x19AL & 2x7
51207	17 HDCU2 + 15 HDCU1	2x7/1.75 & 1x7/.064	2x17 & 1x15
51208	110 AAC4 + 22 HDCU4	4x7/.173AL & 4x7/.080	4x110AL & 4x22
51209	98 HDCU3 + 66 HDCU1	3x19/.101 & 1x19/.083	3x98 & 1x66
51210	98 HDCU6 + 66 HDCU2	6x19/.101 & 2x19/.083	6x98 & 2x66
51211	40 HDCU2 + 15 HDCU2	2x19/.064 & 2x7/.064	2x40 & 2x15
51212	98 HDCU3 + 40 HDCU1	3x19/.101 & 1x19/.064	3x98 & 1x40
51213	98 HDCU3 + 66 HDCU5	3x19/.101 & 5x19/.083	3x98 & 5x66
51214	98 HDCU3 + 66 HDCU4 + 40 HDCU1	3x19/.101 4x19/.083 & 1x19/.064	3x98, 4x66 & 1x40
51215	98 HDCU3 + 66 HDCU2	3x19/.101 & 2x19/.083	3x98 & 2x66
51216	66 HDCU4 + 40 HDCU3	4x19/.083 & 3x19/.064	4x66 & 3x40
51217	19 AAC1 + 7 HDCU1	1x7/.074AL & 1x7/.044	1x19AL & 1x7
51218	66 HDCU3 + 22 HDCU3 + 40 HDCU1	3x19/.083 3x7/.080 & 1x19/.064	3x66 3x22 & 1x40
51219	19 AAC2 + 7 HDCU1	2x7.074AL & 1x7/.044	2x19AL & 1x7
51220	28 AAC1 + 7 HDCU2	1x7/2.25AL & 2x7/.044	1x28AL & 2x7
51221	110 AAC4 + 66 HDCU3 + 40 HDCU1	4x7/.173AL 3x19/.083 & 1x19/.064	4x110AL 3x66 & 1x40
51222	22 HDCU2 + 15 HDCU2	2x7/.080 & 2x7/.064	2x22 & 2x15
51223	98 HDCU3 + 22 HDCU1	3x19/.101 & 1x7/.080	3x98 & 1x22
51224	98 HDCU3 + 66 HDCU3	3x19/.101 & 3x19/.083	3x98 & 3x66
51225	22 HDCU5 + 40 HDCU1	5x7/.080 & 1x19/.064	5x22 & 1x40
51226	40 HDCU4 + 22 HDCU4	4x19/.064 & 4x7/.080	4x40 & 4x22
51227	66 HDCU2 + 22 HDCU2 + 15 HDCU3 + 40 HDCU1	2x19/.083 2x7/.080 3x7/.064 & 1x19/.064	2x66 2x22 3x15 & 1x40
51228	40 HDCU3 + 22 HDCU2 + 15 HDCU3	3x19/.064 2x7/.080 & 3x7/.064	3x40 2x22 & 3x15
51229	98 HDCU3 + 22 HDCU3 + 66 HDCU1	3x19/.101 3x7/.080 & 1x19/.083	3x98 3x22 & 1x66
51230	15 HDCU6 + 7 HDCU2	6x7/.064 & 2x7/.044	6x15 & 2x7
51231	98 HDCU3 + 66 HDCU4	3x19/.101 & 4x19/.083	3x98 & 4x66
51232	160 AAC4 + 66 HDCU3 + 40 HDCU1	4x19/.128AL 3x19/.083 & 1x19/.064	4x160AL 3x66 & 1x40
51233	22 HDCU1 + 19 AAC1 + 15 HDCU1	1x7/.080 1x7/.074AL & 1x7/.064	1x22 1x19AL & 1x15
51234	40 HDCU5 + 66 HDCU3	5x19/.064 & 3x19/.083	5x40 & 3x66
51235	22 HDCU2 + 7 HDCU1	2x7/.080 & 1x7/.044	2x22 & 1x7
51236	26 HDCU4	4x19/.052	4x26
51237	40 HDCU2	2x19/.064	2x40
51238	22 HDCU4 + 66 HDCU1	4x7/.080 & 1x19/.083	4x22 & 1x66

Code	Known As	Old Description	Short Description
51239	98 HDCU8	8x19/.101	8x98
51240	7 HDCU2 + 7 HDCU2	2x7/.044 & 1x7 TWIN PVC	2x7+7 TW2
51241	98 HDCU7	7x19/.101	7x98
51242	7 HDCU2 + 19 AAC1	2x7/.044 & 1x7/.074AL	2x7 & 1x19AL
51243	40 HDCU3 + 66 HDCU1 + 22 HDCU1	3x19/.064 1x19/.083 & 1x7/.080	3x40 1x66 & 1x22
51244	66 HDCU6	6x19/.083	6x66
51245	40 HDCU8	8x19/.064	8x40
51246	22 HDCU3 + 66 HDCU1 + 40 HDCU1	3x7/.080 1x19/.083 & 1x19/.064	3x22 1x66 & 1x40
51247	415 22 HDCU3 40 HDCU1 & 15 HDCU1	3x7/.080 1x19/.064 & 1x7/.064	3x22 1x40 & 1x15
51248	22 HDCU3 + 66 HDCU1 + 15 HDCU1	3x7/.080 1x19/.083 & 1x7/.064	3x22 1x66 & 1x15
51249	66 HDCU4 + 15 HDCU1	4x19/.083 & 1x7/.064	4x66 & 1x15
51250	66 HDCU8 + 22 HDCU1	8x19/.083 & 1x7/.080	8x66 & 1x22
51251	66 HDCU4 + 15 HDCU3 + 40 HDCU1	4x19/.083 3x7/.064 & 1x19/.064	4x66 3x15 & 1x40
51252	15 HDCU3 + 40 HDCU1	3x7/.064 & 1x19/.064	3x15 & 1x40
51253	66 HDCU3 + 40 HDCU4	3x19/.083 & 4x19/.064	3x66 & 4x40
51255	40 HDCU3 + 15 HDCU1	3x19/.064 & 1x7/.064	3x40 & 1x15
51256	28 AAC1 + 7 HDCU1	1x7/2.25AL & 1x7/.044	1x28AL & 1x7
51257	66 HDCU6 + 40 HDCU1 + 22 HDCU1	6x19/.083 1x19/.064 & 1x7/.080	6x66 1x40 & 1x22
51258	415 160 AAC3	3x19/.128AL	3x160AL
51259	415 22 HDCU2 & 19 AAC2	2x7/.080 & 2x7/.074AL	2x22 & 2x19AL
51260	415 66 HDCU3 22 HDCU3 & 15 HDCU1	3x19/.083 3x7/.080 & 1x7/.064	3x66 3x22 & 1x15
51261	415 15 HDCU2 & 16 AAC1	2x7/.064 & 1x7/1.70AL	2x15 & 1x16AL
51262	415 16 AAC3	3x7/1.70AL	3x16AL
51263	415 66 HDCU4 & 40 HDCU2	4x19/.083 & 2x19/.064	4x66 & 2x40
51264	415 28 AAC2 & 15 HDCU1	2x7/2.25AL & 1x7/.064	2x28AL & 1x15
51265	415 66 HDCU5	5x19/.083	5x66
51266	415 22 HDCU8 & 66 HDCU3	8x7/.080 & 3x19/.083	8x22 & 3x66
51267	415 40 HDCU2 & 22 HDCU1	2x19/.064 & 1x7/.080	2x40 & 1x22
51268	415 98 HDCU4 & 40 HDCU4	4x19/.101 & 4x19/.064	4x98 & 4x40
51269	415 19 AAC3 & 28 AAC1	3x7/.074AL & 1x7/2.25AL	3x19AL & 1x28AL
51270	415 22 HDCU8	8x7/.080	8x22
51271	415 22 HDCU2 66 HDCU1 & 110 AAC1	2x7/.080 1x19/.083 & 1x7/.173AL	2x22 1x66 & 1x110AL
51272	415 40 HDCU2 22 HDCU1 & 15 HDCU1	2x19/.064 1x7/.080 & 1x7/.064	2x40 1x22 & 1x15
51273	415 22 HDCU2 40 HDCU1 & 15 HDCU1	2x7/.080 1x19/.064 & 1x7/.064	2x22 1x40 & 1x15
51274	415 16 AAC1	1x7/1.70AL	1x16AL
51275	415 16 AAC2	2x7/1.70AL	2x16AL
51276	415 22 HDCU1 & 19 AAC1	1x7/.080 & 1x7/.074AL	1x22 & 1x19AL
51277	415 15 HDCU1 & 19 AAC1	1x7/.064 & 1x7/.074AL	1x15 & 1x19AL
51278	415 15 HDCU3 & 22 HDCU2	3x7/.064 & 2x7/.080	3x15 & 2x22
51279	415 15 HDCU3 22 HDCU2 & 7 HDCU2	3x7/.064 2x7/.080 & 2x7/.044	3x15 2x22 & 2x7
51280	415 22 HDCU3 & 16 HDCU1	3x7/.080 & 1x7/1.70	3x22 & 1x16
51281	415 22 HDCU7 & 40 HDCU1	7x7/.080 & 1x19/.064	7x22 & 1x40
51282	415 16 AAC4	4x7/1.70AL	4x16AL

Code	Known As	Old Description	Short Description
51283	415 38 HDCU3 66 HDCU1 & 22 HDCU1	3x7/.104 1x19/.083 & 1x7/.080	3x38 1x66 & 1x22
51284	415 66 HDCU5 38 HDCU3 & 22 HDCU1	5x19/.083 3x7/.104 & 1x7/.080	5x66 3x38 & 1x22
51285	415 38 HDCU3 66 HDCU1 & 7 HDCU1	3x7/.104 1x19/.083 & 1x7/.044	3x38 1x66 & 1x7
51286	415 38 HDCU4 15 HDCU3 & 7 HDCU1	4x7/.104 3x7/.064 & 1x7/.044	4x38 3x15 & 1x7
51287	415 66 HDCU5 & 22 HDCU4	5x19/.083 & 4x7/.080	5x66 & 4x22
51288	415 38 HDCU6 66 HDCU1 & 15 HDCU1	6x7/.104 1x19/.083 & 1x7/.064	6x38 1x66 & 1x15
51289	415 110 AAC4 38 HDCU3 & 66 HDCU1	4x7/.173AL 3x7/.104 & 1x19/.083	4x110AL 3x38 & 1x66
51290	415 22 HDCU7 & 15 HDCU1	7x7/.080 & 1x7/.064	7x22 & 1x15
51291	415 98 HDCU4 & 38 HDCU4	4x19/.101 & 4x7/.104	4x98 & 4x38
51292	415 66 HDCU8 38 HDCU3 & 15 HDCU1	8x19/.083 3x7/.104 & 1x7/.064	8x66 3x38 & 1x15
51293	415 15 HDCU3 & 19 AAC1	3x7/.064 & 1x7/.074AL	3x15 & 1x19AL
51294	415 19 AAC2 & 22 HDCU1	2x7/.074AL & 1x7/.080	2x19AL & 1x22
51295	415 19 AAC2 & 15 HDCU1	2x7/.074AL & 1x7/.064	2x19AL & 1x15
51296	415 98 HDCU6 66 HDCU1	6x19/.101 & 1x19/.083	6x98 & 1x66
51297	415 66 HDCU1	1x19/.083	1x66
51298	415 66 HDCU10 & 40 HDCU1	10x19/.083 & 1x19/.064	10x66 & 1x40
51299	415 40 HDCU1	1x19/.064	1x40
51300	415 160 AAC7	7X19/.128AL	7x160AL
51301	415 111 AAC4 & 66 HDCU3	4x7/4.5AL & 3x19/.083	4x111AL & 3x66
51302	415 40 HDCU1 & 22 HDCU1	1x19/.064 & 1x7/.080	1x40 & 1x22
51303	415 66 HDCU1 & 22 HDCU1	1x19/.083 & 1x7/.080	1x66 & 1x22
51304	415 66 HDCU6 & 22 HDCU3	6x19/.083 & 3x7/.080	6x66 & 3x22
51305	415 111 AAC4 & 66 HDCU4	4x7/4.5AL & 4x19/.083	4x111AL & 4x66
51306	415 66 HDCU2 & 22 HDCU2	2x19/.083 & 2x7/.080	2x66 & 2x22
51307	415 66 HDCU3 50 HDCU1	3x19/.083 & 1x19/.072	3x66 & 1x50
51308	415 98 HDCU3 66 HDCU1 40 HDCU3 22 HDCU1	3x19/.101 1x19/.083 3x19/.064 1x7/.080	3x98 1x66 3x40 1x22
51309	415 38 HDCU6 & 66 HDCU1	6x7/.104 & 1x19/.083	6x38 & 1x66
51310	415 66 HDCU4 38 HDCU3 & 15 HDCU1	4x19/.083 3x7/.104 & 1x7/.064	4x66 3x38 & 1x15
51311	415 38 HDCU4 & 22 HDCU4	4x7/.104 & 4x7/.080	4x38 & 4x22
51312	415 66 HDCU4 38 HDCU3 & 40 HDCU1	4x19/.083 3x7/.104 & 1x19/.064	4x66 3x38 & 1x40
51313	415 38 HDCU3 15 HDCU3 & 22 HDCU1	3x7/.104 3x7/.064 & 1x7/.080	3x38 3x15 & 1x22
51314	415 38 HDCU5 & 22 HDCU2	5x7/.104 & 2x7/.080	5x38 & 2x22
51315	415 66 HDCU4 & 38 HDCU3	4x19/.083 & 3x7/.104	4x66 & 3x38
51316	415 38 HDCU4 & 40 HDCU1	4x7/.104 & 1x19/.064	4x38 & 1x40
51317	415 38 HDCU3 & 110 AAC1	3x7/.104 & 1x7/.173AL	3x38 & 1x110AL
51318	415 15 HDCU2 & 19 AAC2	2x7/.064 & 2x7/.074AL	2x15 & 2x19AL
51319	415 66 HDCU8 & 38 HDCU4	8x19/.083 & 4x7/.104	8x66 & 4x38
51320	415 160 AAC8	8x19/.128AL	8x160AL
51321	415 66 HDCU4 40 HDCU3 & 15 HDCU1	4x19/.083 3x19/.064 & 1x7/.064	4x66 3x40 & 1x15
51322	415 160 AAC4 & 38 HDCU4	4x19/.128AL & 4x7/.104	4x160AL & 4x38
51323	415 98 HDCU3	3x19/.101	3x98
51324	415 66 HDCU6 & 50 HDCU1	6x19/.083 & 1x19/.072	6x66 & 1x50

Code	Known As	Old Description	Short Description
51325	415 98 HDCU7 & 66 HDCU1	7x19/.101 & 1x19/.083	7x98 & 1x66
51326	415 110 AAC4 & 40 HDCU2	4x7/.173AL & 2x19/.064	4x110AL & 2x40
51327	415 66 HDCU3 & 22 HDCU4	3x19/.083 & 4x7/.080	3x66 & 4x22
51328	415 160 AAC4 & 110 AAC4	4x19/.128AL & 4x7/.173AL	4x160AL & 4x110AL
51329	415 160 AAC4 22 HDCU3 & 15 HDCU1	4x19/.128AL 3x7/.080 & 1x7/.064	4x160AL 3x22 & 1x15
51330	415 66 HDCU4 & 98 HDCU2	4x19/.083 & 2x19/.101	4x66 & 2x98
51331	415 66 HDCU4 & 160 AAC2	4x19/.083 & 2x19/.128AL	4x66 & 2x160AL
51332	415 110 AAC3 & 66 HDCU1	3x7/.173AL & 1x19/.083	3x110AL & 1x66
51333	415 160 AAC4 & 66 HDCU3	4x19/.128AL & 3x19/.083	4x160AL & 3x66
51334	415 110 AAC3 22 HDCU3 & 66 HDCU1	3x7/.173AL 3x7/.080 & 1x19/.083	3x110AL 3x22 & 1x66
51335	415 22 HDCU1 & 7 HDCU2	1x7/.080 & 2x7/.044	1x22 & 2x7
51336	415 38 HDCU6 & 66 HDCU2	6x7/.104 & 2x19/.083	6x38 & 2x66
51337	415 38 HDCU7 & 66 HDCU1	7x7/.104 & 1x19/.083	7x38 & 1x66
51338	415 111 AAC4 & 28 AAC3	4x7/4.5AL & 3x7/2.25AL	4x111AL & 3x28AL
51339	415 66 HDCU8 & 160 AAC4	8x19/.083 & 4x19/.128AL	8x66 & 4x160AL
51340	415 110 AAC2 & 15 HDCU1	2x7/.173AL & 1x7/.064	2x110AL & 1x15
51341	415 66 HDCU7 & 160 AAC4	7x19/.083 & 4x19/.128AL	7x66 & 4x160AL
51342	415 40 HDCU4 & 38 HDCU3	4x19/.064 & 3x7/.104	4x40 & 3x38
51343	415 28 AAC3 & 15 HDCU1	3x7/2.25AL & 1x7/.064	3x28AL & 1x15
51344	415 66 HDCU4 & 7 HDCU1	4x19/.083 & 1x7/.044	4x66 & 1x7
51345	415 38 HDCU6 98 HDCU4 & 66 HDCU1	6x7/.104 4x19/.101 & 1x19/.083	6x38 4x98 & 1x66
51346	415 19 AAC1 + 15 HDCU1 + 7 HDCU1	1x7/.074AL 1x7/.064 & 1x7/.044	1x19AL 1x15 1x7
51347	415 38 HDCU3 & 15 HDCU1	3x7/.104 & 1x7/.064	3x38 & 1x15
51348	415 38 HDCU3 15 HDCU3 66 HDCU1	3x7/.104 3x7/.064 & 1x19/.083	3x38 3x15 & 1x66
51349	415 6 HDCU1	1x7/1.04	1x6
51350	415 58 HDCU4	4x7/.128	4x58
51351	415 58 HDCU8 66 HDCU3	8x7/.128 & 3x19/.083	8x58 + 3x66
51352	415 58 HDCU7	7x7/.128	7x58
51353	415 110 AAC5 & 66 HDCU3	5x7/.173AL & 3x19/.083	5x110AL & 3x66
51354	4x38 & 1x66 415 66 HDCU4 38 HDCU4 66 HDCU1	4x19/.083 4x7/.104 & 1x19/.083	4x66
51355	415 38 HDCU6 66 HDCU3	6x7/.104 & 3x19/.083	6x38 & 3x66
51356	415 66 HDCU8 110 AAC2	8x19/.083 & 2x7/.173AL	8x66 & 2x110AL
51357	4x66 & 4x38 415 110 AAC4 66 HDCU4 38 HDCU4	4x7/.173AL 4x19/.083 & 4x7/.104	4x110AL
51358	2x40 & 2x38 415 66 HDCU4 40 HDCU2 38 HDCU2	4x19/.083 2x19/.064 & 2x7/.104	4x66
51359	415 16 HDCU1	1x7/1.70	1x16
51360	415 6 AAC2	2x7/1.04AL	2x6AL
51361	415 90 HDCU4	4x7/.160	4x90
51362	1x40 & 1x38 415 66 HDCU2 40 HDCU1 38 HDCU1	2x19/.083 1x19/.064 & 1x7/.104	2x66
51363	415 40 HDCU2 38 HDCU1 22 HDCU1	2x19/.064 1x7/.104 & 1x7/.080	2x40 + 1x38 + 1x22
51364	415 58 HDCU8	8x7/.128	8x58
51365	415 58 HDCU4 38 HDCU	4x7/.128 & 4x7/.104	4x58 & 1x38
51366	415 90 HDCU4 66 HDCU4	4x7/.160 & 4x19/.083	4x90 & 4x66
51367	415 90 HDCU4 66 HDCU3	4x7/.160 & 3x19/.083	4x90 & 3x66

Code	Known As	Old Description	Short Description
51368	415 22 HDCU2 38 HDCU2	2x(2x7/.080) & 2x7/.104	2x22 & 2x38
51369	415 66 HDCU3 38 HDCU3 160AAC1	3x66 3x38 + 1x160AL	3x66 + 3x38 + 1x160AL
51370	415 58 HDCU5	5x7/.128	5x58
51371	415 58 HDCU4 66 HDCU3	4x7/.128 & 3x19/.083	4x58 & 3x66
51372	415 66 HDCU4 60 HDCU3	4x19/.083 & 3x19/2.0	4x66 & 3x60
51373	415 110AAC4 111AAC3	4x7/.173AL & 3x7/4.5AL	4x110AL & 3x111AL
51374	415 6 HDCU2	2x7/1.04	2x6
51375	415 28AAC2 19 AAC1	2x7/2.25AL & 1x19AL	2x28AL & 1x19AL
51376	415 66 HDCU4 38 HDCU3 58 HDCU1	4x19/.083 3x7/.104 & 1x7/.128	4x66 3x38 1x58
51377	415 90 HDCU8	8x7/.160	8x90
51378	415 60 HDCU8	8x19/2.0	8x60
51379	415 66 HDCU3 & 58 HDCU1	3x19/.083 & 1x7/.128	3x66 & 1x58
51380	415 38 HDCU3 & 58 HDCU1	3x7/.104 & 1x7/.128	3x38 & 1x58
51381	415 66 HDCU6 & 58 HDCU1	6x19/.083 & 1x7/.128	6x66 & 1x58
51382	415 38 HDCU6 & 40 HDCU1	6x7/.104 & 1x19/.064	6x38 & 1x40
51383	415 98 HDCU4 & 60 HDCU4	4x19/.101 & 4x19/2.0	4x98 & 4x60
51384	415 110 AAC4 & 40 HDCU4	4x7/.173AL & 4x19/.064	4x110AL & 4x40
51385	415 38 HDCU4 & 15 HDCU4	4x7/.104 & 4x7/.064	4x38 + 4x15
51386	415 110AAC4 38 HDCU3 & 40 HDCU1	4x7/.173AL 3x38 & 1x40	4x110AL + 3x38 + 1x40
51387	415 160AAC4 & 98 HDCU4	4x19/.128AL & 4x19/.101	4x160AL & 4x98
51388	415 66 HDCU6 & 38 HDCU2	6x19/.083 & 2x7/.104	6x66 & 2x38
51389	415 38 HDCU4 66 HDCU3 & 22 HDCU1	4x7/.104 3x19/.083 & 1x7/.080	4x38 3x66 & 1x22
51390	415 66 HDCU4 & 38 HDCU1	4x19/.083 & 1x7/.104	4x66 & 1x38
51391	415 66 HDCU7 & 38 HDCU1	7x19/.083 & 1x7/.104	7x66 & 1x38
51392	415 110AAC4 66 HDCU3 & 38 HDCU1	4x7/.173AL 3x19/.083 & 1x7/.104	4x110AL 3x66 1x38
51393	415 38 HDCU3 & 15 HDCU1	3x7/.104 & 1x7/.064	3x38 & 1x15
51394	415 66 HDCU10	10x19/.083	10x66
51395	415 111AAC4 & 38 HDCU4	4x7/4.5AL & 4x7/.104	4x111AL & 4x38
51396	415 66 HDCU7 & 50 HDCU1	7x19/.083 & 1x50	7x66 & 1x50
51397	415 66 HDCU6 & 22 HDCU2	6x19/.083 & 2x7/.080	6x66 & 2x22
51398	415 38 HDCU4 98 HDCU3 & 66 HDCU1	4x7/.104 3x19/.101 & 1x19/.083	4x38 3x98 & 1x66
51399	415 110 AAC4 38 HDCU3 & 22 HDCU1	4x7/.173AL 3x7/.104 & 1x7/.080	4x110AL + 3x38 + 1x22
51400	415 38 HDCU6 66 HDCU1 & 22 HDCU1	6x7/.104 1x19/.083 & 1x7/.080	6x38 1x66 & 1x22
51401	415 50 HDCU4	4x19/.072	4x50
51402	415 66 HDCU3 & 90 HDCU1	3x19/.083 & 1x7/.160	3x66 & 1x90
51403	415 66 HDCU4 38 HDCU4 & 22 HDCU1	4x19/.083 4x7/.104 &	4x66 4x38 & 1x22
51404	415 66 HDCU3 & 40 HDCU3	3x19/.083 & 3x19/.064	3x66 & 3x40
51405	415 66 HDCU4 38 HDCU2 & 22 HDCU2	4x19/.083 2x7/.104 & 2x7/.080	4x66 2x38 & 2x22
51406	415 66 HDCU6 40 HDCU1 & 38 HDCU1N	6x19/.083 1x19/.064 & 1x7/.104neutral	6x66 1x40 & 1x38N
51407	415 58 HDCU3 & 38 HDCU1N	3x7/.128 & 1x7/.104 neutral	3x58 & 1x38N
51408	415 50 AAC3 & 1x110 AAC1N	3x1/.118AL & 1x7/.173ALneutral	3x50AL & 1x110ALN
51409	415 66 HDCU4 & 58 HDCU4	4x19/.083 & 4x7/.128	4x66 & 4x58

Code	Known As	Old Description	Short Description
51410	415 65 HDCU4 & 38 HDCU4	4x7/.134 & 4x7/.104	4x65 & 4x38
51411	415 66 HDCU12	12x19/.083	12x66
51412	415 150 HDCU4	4x150 Cu	4x150
51413	415 7 HDCU1 & 16 HDCU1 A	1x7/1.12B & 1x7/1.70 A	1x7B & 1x16A
51414	415 30 AAC1	1x30AL SL	1x30AL
51415	415 22 HDCU1 15 HDCU1 & 15 HDCU1N	1x7/.080 1x7/.064 & 1x7/.064neutral	1x22 1x15 & 1x15N
51416	4415 66 HDCU3 58 HDCU1 & 98 HDCU4	3x19/.083 1x7/.104 & 4x19/.101	3x66 1x38 & 4x98
51417	415 66 HDCU3 & 7 HDCU1	3x19/.083 & 1x7/.044	3x66 & 1x7
51418	415 66 HDCU6 & 38 HDCU1	6x19/.083 & 1x7/.104	6x66 & 1x38
51419	415 40 HDCU4 22 HDCU3 & 15 HDCU1	4x19/.064 3x7/.080 & 1x7/.064	4x40 3x22 & 1x15
51420	415 66 HDCU3 22 HDCU3 38 HDCU1 & 15 HDCU1	3x19/.083 3x7/.080 1x7/.104 & 1x7/.064	3x66 3x22 1x38 & 1x15
51421	415 66 HDCU3 & 111 AAC1	3x19/.083 & 1x7/4.5AL	3x66 & 1x111AL
51422	415 19 AAC2 & 28 AAC1	2x7/.074AL & 1x7/2.25AL	2x19AL & 1x28AL
51423	415 66 HDCU4 & 58 HDCU4	4x19/.083 & 4x7/.128	4x66 & 4x58
51424	415 110 AAC3 & 38 HDCU1	3x7/.173AL & 1x7/.104	3x110AL & 1x38
51425	415 66 HDCU3 & 98 HDCU1	3x19/.083 & 1x19/.101	3x66 & 1x98
51426	415 150 AAC4 XQ /ABC	150 AL4 XQ/ABC	150AL ABC
51427	415 38 HDCU4 & 38 HDCU4	4x7/.104 & 4x7/.104	4x38 & 4x38
52000	110 AAC4 + 38 HDCU3 + 15 HDCU1		110AL4+38CU3+15CU1
52001	110 AAC3 + 40 HDCU1		3x110AL+1x40
52002	40 HDCU3 + 7 HDCU1		3x40+1x7
52003	66 HDCU7 + 22 HDCU2		7x66+2x22
52004	66 HDCU4 + 15 HDCU4		4x66+4x15
52005	160 AAC4 + 38 HDCU3 + 66 HDCU1		4x160+3x38+1x66
52006	66 HDCU4 + 65 HDCU4		4x66+4x65
52007	66 HDCU4 + 111 AAC3		4x66+3x111AL
52008	22 HDCU7 + 66 HDCU1		7x22+1x66
52009	38 HDCU4 + 98 HDCU3		4x38+3x98
52010	66 HDCU7 + 40 HDCU7		1x66 + 7x40
52011	110 AAC4 + 98 HDCU3 + 66 HDCU1		4x110AL + 3x98 + 1x66
52012	66 HDCU4 + 40 HDCU2 + 22 HDCU2		4x66 + 2x40 + 2x22
52013	22 HDCU2 + 26 HDCU1		2x22 + 1x26
52014	40 HDCU4 + 22 HDCU1 + 15 HDCU3		4x40 + 1x22 + 3x15
52015	66 HDCU3 + 40 HDCU1 + 22 HDCU3		3x66 + 1x40 + 3x22
52016	40 HDCU4 + 22 HDCU1		4x40 + 1x22
52017	66 HDCU3 + 22 HDCU4 + 15 HDCU1		3x66 + 4x22 +1x15
52018	40 HDCU7 + 66 HDCU1		7x40 + 1x66
52019	66 HDCU4 + 15 HDCU3 + 22 HDCU1		4x66 + 3x15 +1x22
52020	66 HDCU4 + 40 HDCU2 + 38 HDCU2		66 + 2x40 + 2x38
52021	66 HDCU 3 + 40 HDCU 1 + 95 AAC 4 XQ / ABC		3x66 + 1x40 +95AL4 ABC
52022	19 AAC1 + 15 HDCU1 + 7 HDCU1		1x19AL + 1x15 + 1x7
52023	111 AAC4 + 15 AAC1		4x111AL + 1x15AL

Code	Known As	Old Description	Short Description
52024	110 AAC4 + 38 HDCU3 + 22 HDCU1		110AL + 3x38 + 1x22
52025	111 AAC4 + 38 HDCU3 + 66 HDCU1		111AL + 3x38 + 1x66
52026	415V 65 CU1 Z Z / 3 CABLES + 39 HDCU1 / NEUTRAL		3x65 + 39 N
52027	415V 19 CU1 Z Z / 3 CABLES + 23 HDCU1 / NEUTRAL		3x19 + 23 N
52028	415V 15 CU1 Z Z + 15 HDCU1 / NEUTRAL		2x15
52029	415V 185 CU1 P L Z / 3 CABLES + 95 CU1 P L Z / INSUL NEUT		3x185 + 95 N
56001	11KV 77 AAAC1 XQ YQ / #CCT80 / #1120	n/a	1xCCT80
56002	11KV 124 AAAC1 XQ YQ / #CCT120	n/a	1x120CCT
56003	11KV 183 AAAC1 XQ YQ / #CCT180	n/a	1xCCT180
56004	11KV 124 AAAC1 XQ / #CCT120	n/a	1xCCT120
57000	415V 185 AL 1 XQ Z / 3 CABLES + 185 CU 1 XQ Z / N		3x185AL + 185CU1
57001	240V 38 HDCU2 Z / T	7/.104 TWIN PVC COPPER	2x38 TWIN
57002	415V 95 AAC4 XQ / ABC	1x4/95 ABC	95AL ABC
57003	415V 95 AAC 4 XQ / ABC + 95 AAC 4 XQ / ABC	2x4/95 ABC	2x95AL ABC
57004	240V 10 HDCU2 XQ / T	7/1.35 XLPE TWIN TWISTED	10 TW2
57005	240V 16 HDCU2 XQ / T	7/1.70 CU2 XLPE TWIN TWISTED	16 T2
57006	240V 6 HDCU2 Z Z / #FIG.8	6 (7/1.04) TWIN PVC	6 TW2
57007	240V 7 HDCU2 Z Z / #FIG 8	7 (7/.044) TWIN PVC	7 TW2
57008	415V 10 HDCU2.2 XQ / #2 X T	2x7/1.35 XLPE TWIN TWISTED (#57004)	10 TW4
57009	415V 95 AAC 3 XQ + 70 AAC 1 XQ / COM / LVABC	1x3/95 + 1/70 LVABC	95/70AL ABC
57010	415V 95 AAC 6 XQ + 70 AAC 2 XQ / COM / 2X95LVABC	2x3/95 + 1/70 LVABC	2x95/70AL ABC
57011	415V 95 AAC 3 XQ + 70 AAC 1 XQ + 25 AAC 1 / COM / LVABC+SL	1x3/95 + 1/70 + 1/25 LVABC + SL	95/70/25AL ABC
57012	415V 95 AAC 4 XQ + 25 AAC 1 XQ / COM / LVABC+SL	1x4/95 + 1/25 LVABC + SL	95/25AL ABC
57013	415V 16 HDCU2 XQ / T + 16 HDCU2 XQ / T	2 X 57005 XLPE TWISTED TWIN	2x16 + 2x16
57014	415V 95 AAC 8 XQ + 25 AAC 2 XQ / COM / LVABC+SL	2x 4/95 + 1/25 LVABC + SL	2x95/25AL ABC
57015	415V 95 AAC 3 XQ + 54.6 AAC 1 XQ + 25 AAC 1 XQ / LVABC+SL	1x3/95 + 1/54.6 + 1/25 LVABC+SL	95/54.6/25AL ABC
57016	415V 95 AAC 6 XQ + 54.6 AAC 2 XQ + 25 AAC 2 XQ / LVABC+SL	2x3/95 + 1/54.6 + 1/25 LVABC+SL	2x95/54.6/25AL ABC
57017	415V 95 AAC 12 XQ / ABC	3x95AL ABC	3x95AL ABC
57018	240V 25 AAC 2 XQ / ABC		25 AL2 ABC
57019	415V 16 HDCU 2 / 2 CABLE + 25 AAC 2 XQ / LVABC		2x16 + 25AL ABC
57020	415V 150 AAC 4 XQ / ABC	4x150 ABC	150AL ABC
57021	415V 150 AAC 4 XQ + 150 AAC 4 XQ / ABC	TWIN 4x150 ABC	2x150AL ABC
57022	415V 35 HDCU4 Z Z	4x35 PVC	35 TW4
57023	240V 35 HDCU2 Z Z	2x35 PVC	35 TW2
57024	15 AAC1	1x7/.064AL C SL	1x15AL
57025	415V 15 HDCU4 Z Z	4x15 PVC	15 T4
57027	415 66 HDCU1 65 HDCU1 Z Z	1x19/.083 & 1x7/.136 PVC	1x66+65PVC1
57028	415 58 HDCU1	7/10 or 7/.128 TWIN	1x58
57029	415 15 HDCU2 Z Z	1x7/.064 TWIN PVC	15 TW2
57030	415 22 HDCU4 & 15 HDCU1	4x7/.080 & 1x7/.064TWIN	4x22 + 1x15
57031	415 7 HDCU2	7/18 or 7/.044 TWIN	2x7 TWIN



Code	Known As	Old Description	Short Description
57032	415 1.7 HDCU2	1.7 TWIN	1.7 TWIN
57033	415 58 HDCU1 & 66 HDCU1 Z Z	1x7/.128 & 1x19/.083 PVC	1x58+66PVC1
57034	415V 25 AAC 4 XQ / ABC + 25 AAC 4 XQ / ABC		2x25 AL4
66666	NOT RECORDED	n/a	NR
75001	11KV 14 HDCU3 Z / #SINGLES	7/.064 CU3/OH PVC INSULATED	3x15
75002	11KV 26 AAC 3 XQ H Z / CAT Z / ABC	19/.052(.04)AL3 XQHZ/7/.080FE CAT/OH (COTTAGE LOAF)	3x26AL
75003	11KV 24 HDCU3 XQ H Z / CAT Z / ABC	7/.083(.035)CU3 XQHZ/7/.080FE CAT/OH (COTTAGE LOAF)	3x23
75004	11KV 35 AAC 3 XQ 23 CU(WS) YQ / CAT / COM / ABC	35 AL3 XQ 17CU(WS)Z/22CAT/COM/ABC	35AL3 ABC
75005	11KV 35 AAC 3 XQ CU(WS) YQ / CAT / COM / ABC	35 AL3 XQ 23CU(WS)YQ/60CAT/COM/ABC	35AL3 ABC
75006	11KV 120 AAC 3 XQ CU(WS) YQ / CAT / COM / ABC	120 AL3 XQ 54CU(WS)YQ/60CAAT/COM/ABC	120AL3 ABC
75007	11KV 77 AAAC1 XQ YQ / #CCT80 / #60/40%MMO	77 AL3 XQ/IUC80	3x77AL
75008	11KV 124 AAAC1 XQ / #CCT120 / #100%MMC	124 AL3 XQ/IUC120	3x124AL
75009	11KV 183 AAAC1 XQ / CCT180	183 AL3 XQ/IUC180	CCT180
75010	11KV 16 CU1 Q YQ	16 CU1 QYQ	3x16
75011	11KV 124 AAAC1 XQ YQ / #CCT120 / #MMO 50/50 / 3 CABLES	124 AAAC3 XQ YQ/#CCT120/#MMO 50/50	CCT120
75012	11KV 124 AAAC1 XQ YQ / #CCT120 / #MMO 60/40 / 3 CABLES	124 AAAC3 XQ YQ/#CCT120/#MMO 60/40%	CCT120
75013	11KV 15 HDCU3 XQ H Z / CAT Z	15 CU3 XQ HZ/CAT Z	3x15
75014	11KV 77 AAAC3 XQ / #CC80	77 AAAC3 XQ /#CC80	3x77AL
75015	11KV 77 AAAC2 XQ / #CC80	77 AAAC2 XQ /#CC80	2x77AL
75016	11KV 77 AAAC3 XQ YQ / #CCT80	7/3.75 AAAC3 XQ YQ/CCT80	CCT80
75017	11KV 77 AAAC2 XQ YQ / #CCT80	7/3.75 AAAC2 XQ YQ/CCT80	CCT80
80001	240V 15 CU2 Z Z	Orion Energy	15 CU
80002	0.0225 SQ IN OLD	Orion Energy	15 CU (OLD)
80003	0.035 SQ IN OLD	Orion Energy	23 CU (OLD)
80004	415V 25 CU4 P L SW J	Orion Energy	26 CU
80005	0.04 SQ IN OLD	Orion Energy	26 CU (OLD)
80006	0.06 SQ IN CU	Orion Energy	39 CU
80007	0.06 SQ IN CU 33	Orion Energy	39 CU (33)
80008	415V 70 CU4 P L SW J	Orion Energy	65 CU
80009	0.1 SQ IN CU 33	Orion Energy	65 CU (33)
80010	0.1 SQ IN OLD	Orion Energy	65 CU (OLD)
80011	11KV 0.15 SQ IN CU	Orion Energy	97 CU
80012	0.15 SQ IN CU 33	Orion Energy	97 CU (33)
80013	0.15 SQ IN OLD	Orion Energy	97 CU (OLD)
80014	415V 130 CU4 P L SW J	Orion Energy	129 CU
80015	0.2 SQ IN CU 33	Orion Energy	129 CU (33)
80016	11KV 0.2 SQ IN OLD	Orion Energy	129 CU (OLD)
80017	0.25 SQ IN CU	Orion Energy	161 CU
80018	0.25 SQ IN CU 33	Orion Energy	161 CU (33)

Code	Known As	Old Description	Short Description
80019	415V 185 CU4 P L SW J	Orion Energy	194 CU
80020	0.3 SQ IN CU 33	Orion Energy	194 CU (33)
80021	0.3 SQ IN OLD	Orion Energy	194 CU (OLD)
80022	0.4 SQ IN CU	Orion Energy	258 CU
80023	0.4 SQ IN CU 33	Orion Energy	258 CU (33)
80024	33KV 258 CU 3 P CAS / OF	Orion Energy	258 CU (33 OIL)
80025	0.4 SQ IN OLD	Orion Energy	258 CU (OLD)
80026	0.5 SQ IN AL	Orion Energy	323 CU
80027	0.5 SQ IN CU	Orion Energy	323 CU
80028	0.5 SQ IN CU 33	Orion Energy	323 CU (33)
80029	0.5 SQ IN OLD	Orion Energy	323 CU (OLD)
80030	0.6 SQ MM CU 33	Orion Energy	387 CU (33)
80031	415V 120 AL4 P L SW J	Orion Energy	120 AL
80032	120 SQ MM CU	Orion Energy	120 CU
80033	150 SQ MM AL	Orion Energy	150 AL
80034	150 SQ MM CU	Orion Energy	150 CU
80035	240V 16 CU2 Z Z	Orion Energy	16 CU2 PVC
80036	415V 185 CU4 P L SW J	Orion Energy	185 CU
80037	415V 185 AL4 P L SW J	Orion Energy	185 AL
80038	185 SQ MM CU 33	Orion Energy	185 CU (33)
80039	415V 240 AL4 P L SW J	Orion Energy	240 AL
80040	415V 240 CU4 P L SW J	Orion Energy	240 CU
80041	415V 25 CU4 XQ	Orion Energy	25 CU
80042	11KV 300 SQ MM AL	Orion Energy	300 AL
80043	300 SQ MM CU	Orion Energy	300 CU
80045	415V 35 CU5 Z (N) Z	Orion Energy	35 CU
80046	11KV 400 AL3 P H L DB SW Z	Orion Energy	400 AL
80047	33KV 400 CU1	Orion Energy	400 CU (33)
80048	50 SQ MM CU	Orion Energy	50CU
80049	240V 70 CU1 P L	Orion Energy	70 CU
80050	95 SQ MM AL	Orion Energy	95 AL
80051	unknown	Orion Energy	NR
80126	185/95 SQ MM CU	Orion Energy	185 CU3 + 95CU N PVC
80128	19/.083 CU insulated	Orion Energy	66 CU PVC
80129	240V 2.5 CU3 Z Z	Orion Energy	2.5 CU2 PVC
80131	50 SQ MM AL	Orion Energy	50 AL PVC
80132	240V 6 AL2 Z Z	Orion Energy	6 AL2
80133	240V 6 CU5 Z L Z	Orion Energy	6 CU2 PVC
80134	240V 3 CU2 Z	Orion Energy	3 CU PVC
80135	240V 6 CU1 Z	Orion Energy	5 CU PVC
80136	240V 10 CU2 Z	Orion Energy	7 CU PVC
80137	240V 16 CU2 Z	Orion Energy	15 CU PVC
80138	240 SQ MM AL + 10 SQ MM CU	Orion Energy	240 AL + 10 CU SL

Code	Known As	Old Description	Short Description
80141	33kV 500		500
80142	132 kV 1200	Ex Electricity Commision	unknown
80150	24C/12P		24C/12P CU
80151	30PP		30PP CU
80152	20PP/6P		20PP/6P CU
80153	40C/6P		40C/6P CU
80154	40C/12P		40C/12P CU
80155	4C/12P		4C/12P CU
80156	6Q/6P		6Q/6P CU
80157	12C		12C CU
80158	10C		10C CU
80159	12C/6P		12C/6P CU
80160	2C/6P		2C/6P CU
80161	16C		16C CU
80162	8C		8C CU
80163	6C		6C CU
80164	6PP/6P		6PP/6P CU
80165	80P		80P CU
80166	20C		20C CU
80167	36P		36P CU
80168	4C/6P		4C/6P CU
80169	12C/12P		12C/12P CU
80170	16P		16P CU
80171	6Q		6Q CU
80172	15C		15C CU
80173	12C/3P		12C/3P CU
80174	24C/6P		24C/6P CU
80175	20C/12P		20C/12P CU
80176	8C/6P		8C/6P CU
80177	8C/2P		8C/2P CU
80178	24C		24C CU
80179	3C		3C CU
80180	12PP/6P		12PP/6P CU
80181	24PP		24PP CU
80182	6C/3P		6C/3P CU
80183	16PP/6P		16PP/6P CU
80184	20C/24P		20C/24P CU
80185	70P		70P CU
80186	10P		10P CU
80187	30P		30P CU
80188	32P		32P CU
80189	20PP/12P		20PP/12P CU
80190	24C/24P		24C/24P CU

Code	Known As	Old Description	Short Description
80191	50C		50C CU
80192	18PP		18PP CU
80194	32C/6P		32C/6P
80196	240 SQ MM CU	Orion Energy	240 CU3
80197	11kV 120 AL3		120 AL3
80198	11kV 120 CU3		120 CU3
80199	11kV 150 AL3		150 AL3
80200	11kV 150 CU3		150 CU3
80201	11kV 16 CU2		16 CU2
80202	11kV 240 AL3		240 AL3
80203	11kV 240 CU3		240 CU3
80204	11kV 25 CU3		25 CU3
80205	11kV 300 CU3		300 CU3
80206	11kV 35 CU3		35 CU3
80207	11kV 50 CU3		50 CU3
80208	11kV 95 AL3		95 AL3
80209	11kV 35 AL3		35 AL3
80210	33kV 300 CU3		300 CU3
80211	33kV 300 CU3		300 CU3
80213	33KV 185 CU3		185 CU3
80214	33kV 120 CU3		120 CU3
80215	33kV 50 CU3		50 CU3
80216	33KV 70 CU3 P L SW		70 CU3
80217	33kV 26 CU3 P L SW	Orion Energy 0.04 sq in	26 CU3
80218	33kV 194 CU3 P L SW	Orion Energy 0.3 sq in	194 CU3
80219	33kV 258 CU3 P L SW	Orion Energy 0.4 sq in	258 CU3
80222	40C/6P		40C/6P
99999	NOT APPLICABLE	n/a	NA
666666	NOT RECORDED	n/a	NR
888084	unknown		NR
888177	non-allocated		0.4CU32CU(N)YQ
888181	non-allocated		3x323AL + 1x97
888236	non-allocated		66, 40 & 1x22
999999	NOT APPLICABLE	n/a	NA

### 3.0 RECORDKEEPING

The table below identifies the types of records relating to the process, their storage location and retention period.

**Table 1 – Recordkeeping**

Type of Record	Storage Location	Retention Period*
Approved copy of the network standard	BMS Network sub process Standard – Company	Unlimited
Draft Copies of the network standard during amendment/creation	HPRM Work Folder for Network Standards (Trim ref. 2014/21250/83)	Unlimited
Working documents (emails, memos, impact assessment reports, etc.)	HPRM Work Folder for Network Standards (Trim ref. 2014/21250/83)	Unlimited

\* The following retention periods are subject to change eg if the records are required for legal matters or legislative changes. Before disposal, retention periods should be checked and authorised by the Records Manager.

### 4.0 AUTHORITIES AND RESPONSIBILITIES

For this network standard the authorities and responsibilities of Ausgrid employees and managers in relation to content, management and document control of this network standard can be obtained from the Company Procedure (Network) – Production / Review of Engineering Technical Documents within BMS. The responsibilities of persons for the design or construction work detailed in this network standard are identified throughout this standard in the context of the requirements to which they apply.

### 5.0 DOCUMENT CONTROL

**Content Coordinator** : Manager – Network Data & Performance

**Distribution Coordinator** : Engineering Information and Services Manager