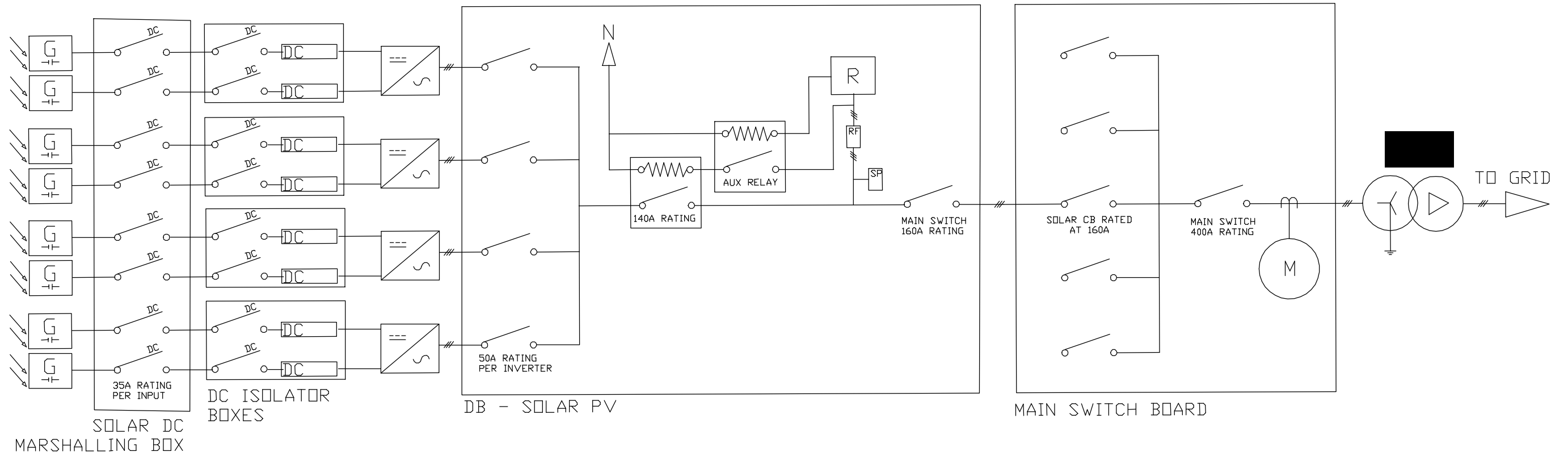




1. Technology: Solar PV
2. Maximum Power: 95kW
3. Contribution to fault levels: N/A
4. Size & rating of the relevant Transformer: N/A
5. Single line diagram: refer to following page
6. Protection Systems & Communication Systems: refer to following page
7. Voltage Control and reactive power capability: N/A
8. Details specific to the location of facility: N/A



LEGEND

- SOLAR ARRAY CONSISTING OF JINKO 260W PV MODULES
- DOUBLE POLE DC ISOLATOR
- DC FUSE (15 AMP RATING)
- 25kW / 20kW SMA 3-PHASE SOLAR INVERTER
- 3-PHASE AC CIRCUIT BREAKER
- SURGE PROTECTION
- RELAY FUSE (2 AMP)
- PROTECTION RELAY
- NORMALLY OPEN CONTACTOR
- 11kV/433V TRANSFORMER
- 3-PHASE BI-DIRECTIONAL METER

REVISION	DATE	TITLE:		
1	02/02/15	SINGLE LINE DIAGRAM FOR 95KW SOLAR POWER SYSTEM FOR [REDACTED]		
2				
3				
4		DATE CREATED: 02/02/15		
5		ENGINEER: [REDACTED]		
SYSTEM INSTALLED BY: AUTONOMOUS ENERGY PTY LTD		PROJECT: [REDACTED]	EDITION A	SHEET 1