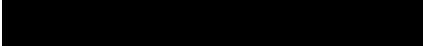
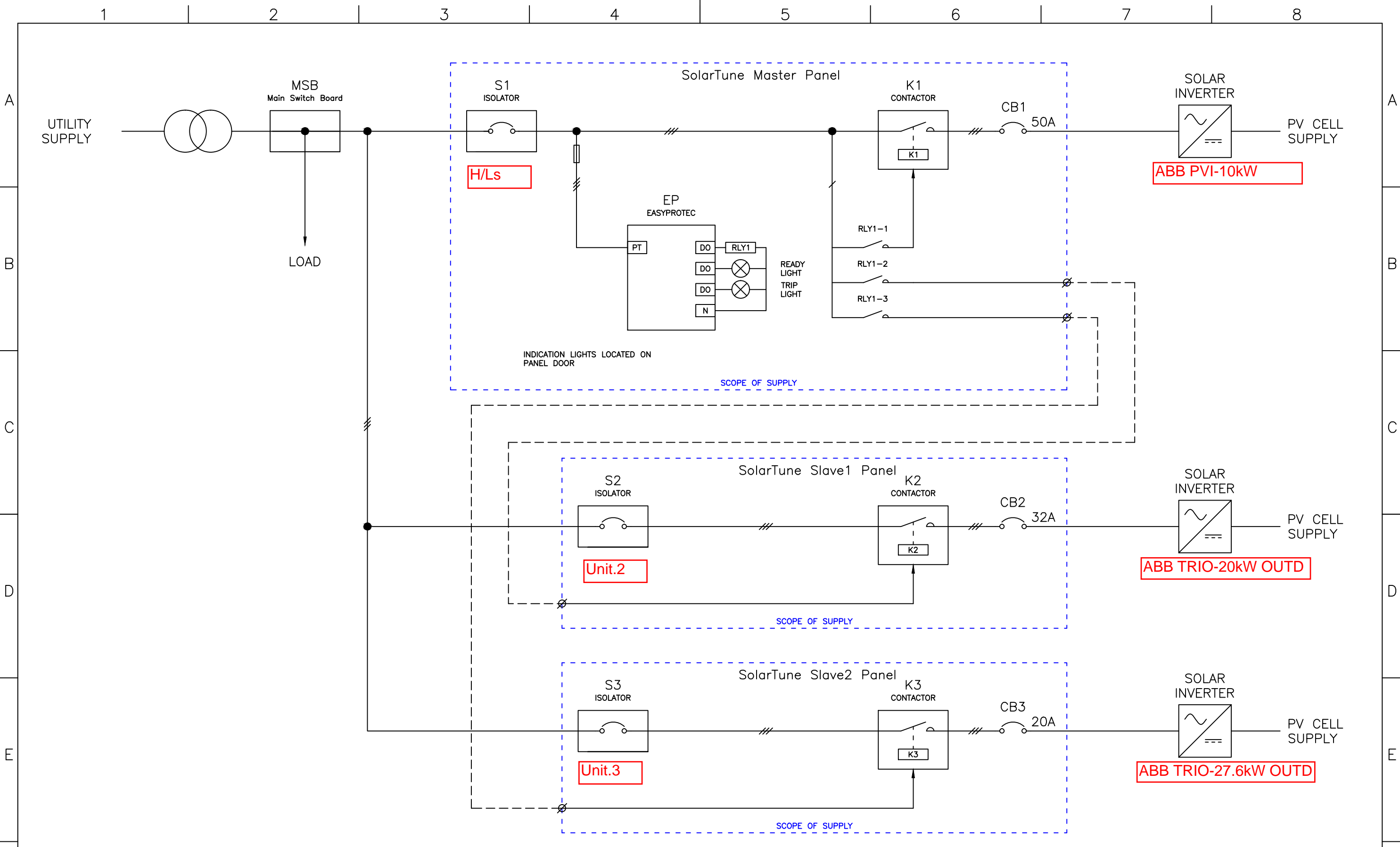


- 
1. Technology: Solar PV
 2. Maximum Power: 57.6kW
 3. Contribution to fault levels: N/A
 4. Size & rating of the relevant Transformer: N/A
 5. Single line diagram: refer to following page
 6. Protection Systems & Communication Systems: refer to following page
 7. Voltage Control and reactive power capability: N/A
 8. Details specific to the location of facility: N/A



UNLESS OTHERWISE SPECIFIED: ALL DIMENSIONS ARE IN MILLIMETERS. DRAWING DEFINITIONS AND TOLERANCES SHALL BE FOUND IN SS-112.		THIRD ANGLE PROJECTION	PM Control Systems Pte Ltd	
APPROVALS		DATE	TITLE	
MATERIAL:		16MAR15	SOLARTUNE	
REF. DWGS.		16DEC14	SOLAR INVERTER INTERFACE CONTROL SYSTEM OVERVIEW	
SIZE	SYSTEM PART NO.	DRAWING NO.	REV	
A3	S-AU-1xxx	9771-1xxx	A	
SCALE : N.T.S.			SHEET 3 OF 4	