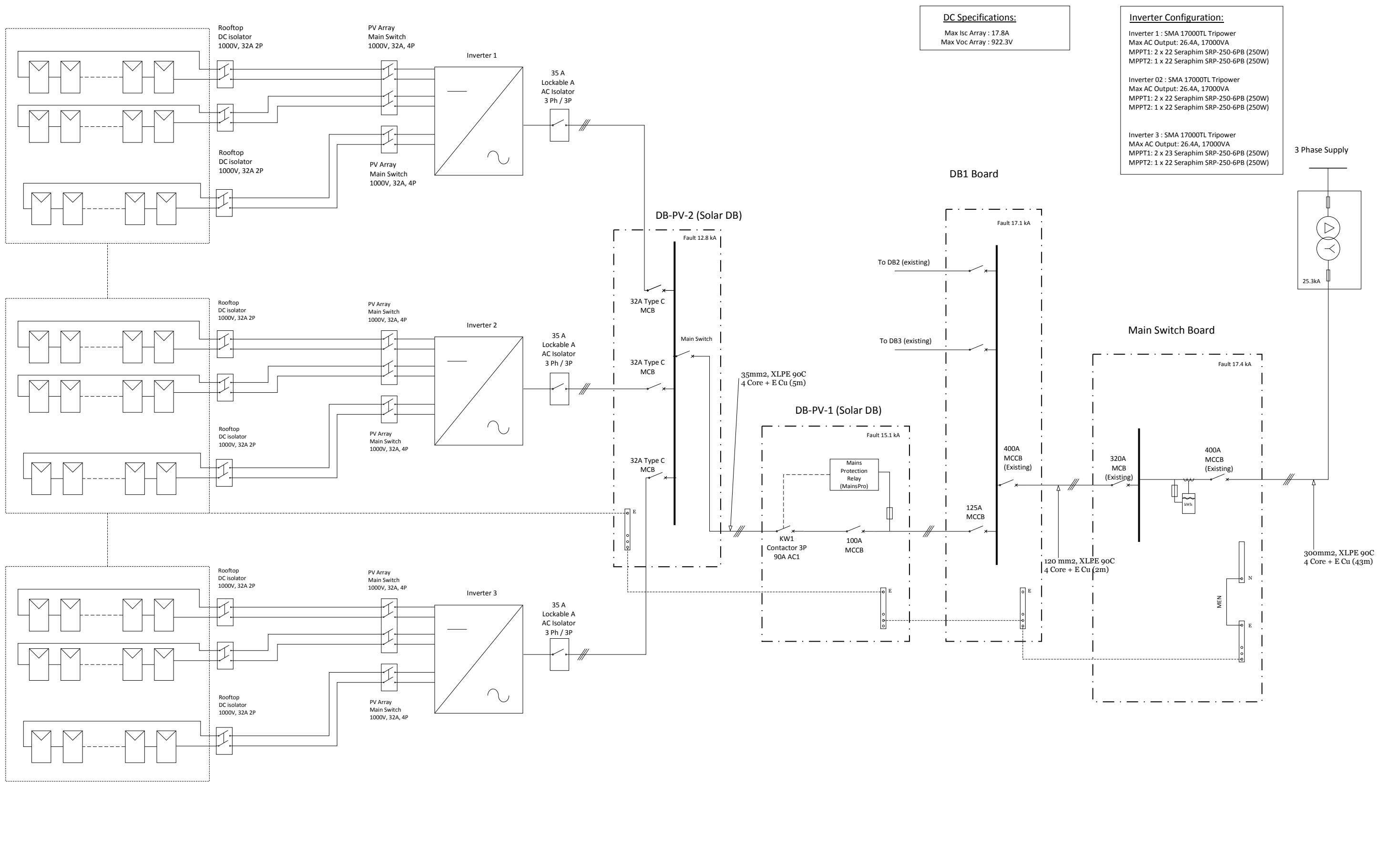




1. Technology: Solar PV
2. Maximum Power: 50kW
3. Contribution to fault levels: N/A
4. Size & rating of the relevant Transformer: N/A
5. Single line diagram: refer to following page
6. Protection Systems & Communication Systems: refer to following page
7. Voltage Control and reactive power capability: N/A
8. Details specific to the location of facility: N/A



DC Specifications:
 Max Isc Array : 17.8A
 Max Voc Array : 922.3V

Inverter Configuration:
 Inverter 1 : SMA 17000TL Tripower
 Max AC Output: 26.4A, 17000VA
 MPPT1: 2 x 22 Seraphim SRP-250-6PB (250W)
 MPPT2: 1 x 22 Seraphim SRP-250-6PB (250W)
 Inverter 02 : SMA 17000TL Tripower
 Max AC Output: 26.4A, 17000VA
 MPPT1: 2 x 22 Seraphim SRP-250-6PB (250W)
 MPPT2: 1 x 22 Seraphim SRP-250-6PB (250W)
 Inverter 3 : SMA 17000TL Tripower
 Max AC Output: 26.4A, 17000VA
 MPPT1: 2 x 23 Seraphim SRP-250-6PB (250W)
 MPPT2: 1 x 22 Seraphim SRP-250-6PB (250W)

[Redacted Signature]

Compiled by	Verified By	Approved By	Date
[Redacted]	[Redacted]	[Redacted]	08/09/2014



3 Phase SLD, Proposed PV installation

REVISIONS	
MM/DD/YY	REMARKS
1	...
2	...
3	...
4	...
5	...

A 01