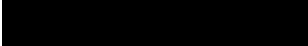
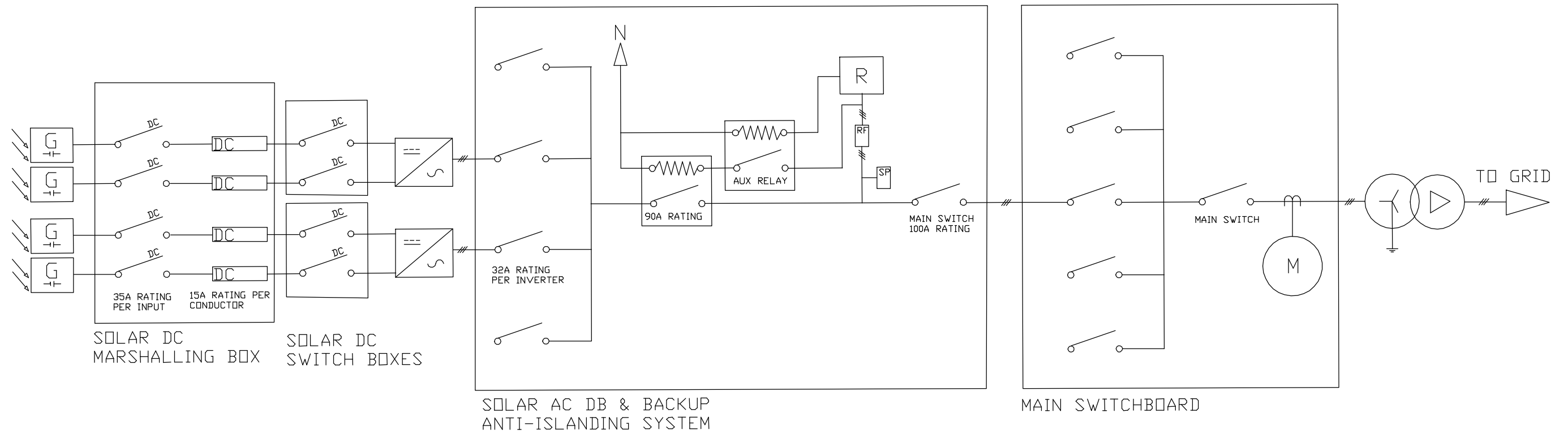


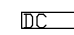
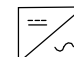
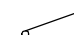



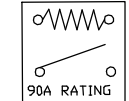
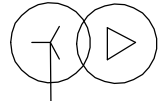
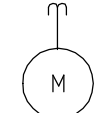


- 
1. Technology: Solar PV
  2. Maximum Power: 40kW
  3. Contribution to fault levels: N/A
  4. Size & rating of the relevant Transformer: N/A
  5. Single line diagram: refer to following page
  6. Protection Systems & Communication Systems: refer to following page
  7. Voltage Control and reactive power capability: N/A
  8. Details specific to the location of facility: N/A



**LEGEND**

-  SOLAR ARRAY CONSISTING OF JINKO 260W PV MODULES
-  DOUBLE POLE DC ISOLATOR
-  DC FUSE
-  20.0kW SMA TRIPower 3-PHASE SOLAR INVERTER
-  3-PHASE AC CIRCUIT BREAKER
-  SURGE PROTECTION
-  RELAY FUSE (2 AMP)
-  PROTECTION RELAY
-  NORMALLY OPEN CONTACTOR  
90A RATING
-  11kV/433V TRANSFORMER
-  3-PHASE BI-DIRECTIONAL METER

ANSI PROTECTION TABLE PROTECTIVE FUNCTIONALITY FOR PROTECTION RELAY	
27, 59, 47 81H, 81L 50 51 46 50N + 51N	50GH + 51GS 32 59N 78 81R

REVISION	DATE	TITLE:
1	21/05/15	SINGLE LINE DIAGRAM FOR 40KW SOLAR
2		
3		
4		DATE CREATED: 21/05/15
5		
		PROJECT: COLCRA002-2
		EDITION A
		SHEET 1