



1. Technology: Solar PV
2. Maximum Power: 50kW
3. Contribution to fault levels: N/A
4. Size & rating of the relevant Transformer: N/A
5. Single line diagram: refer to following page
6. Protection Systems & Communication Systems: refer to following page
7. Voltage Control and reactive power capability: N/A
8. Details specific to the location of facility: N/A

Single Line Diagram Net Metering

Site Detail:

[Redacted Site Detail]

[Redacted Site Detail]

Notes:

1. Voc (Array) is 567 V
2. All cables sized for 1% VD
3. Neutral cables not shown for clarity
4. All panels earthed, 4mm earth wire

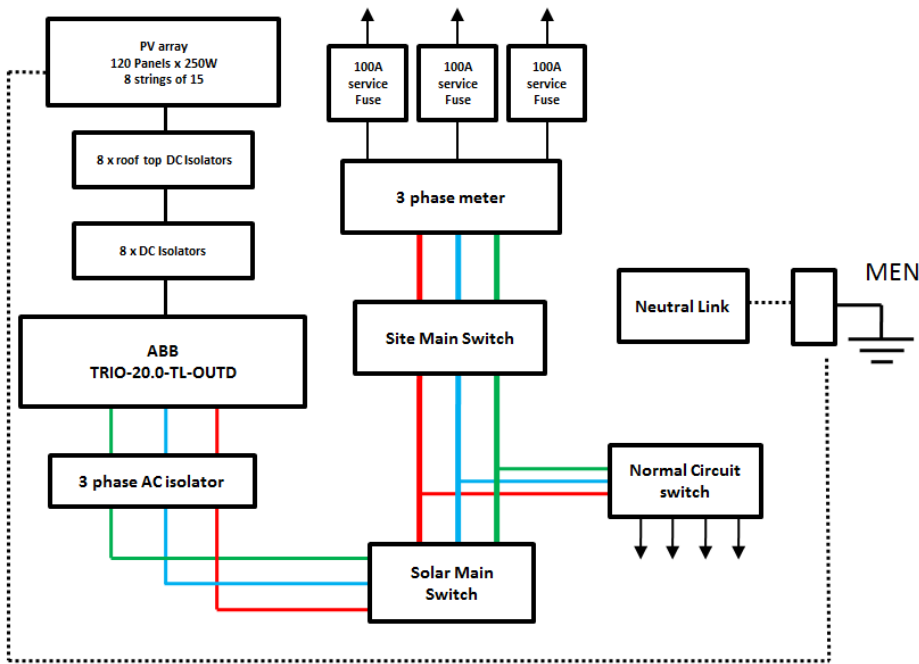
[Redacted Site Detail]

System size: 30 kW

[Redacted Site Detail]

System size: 18 kW

GRID



GRID

