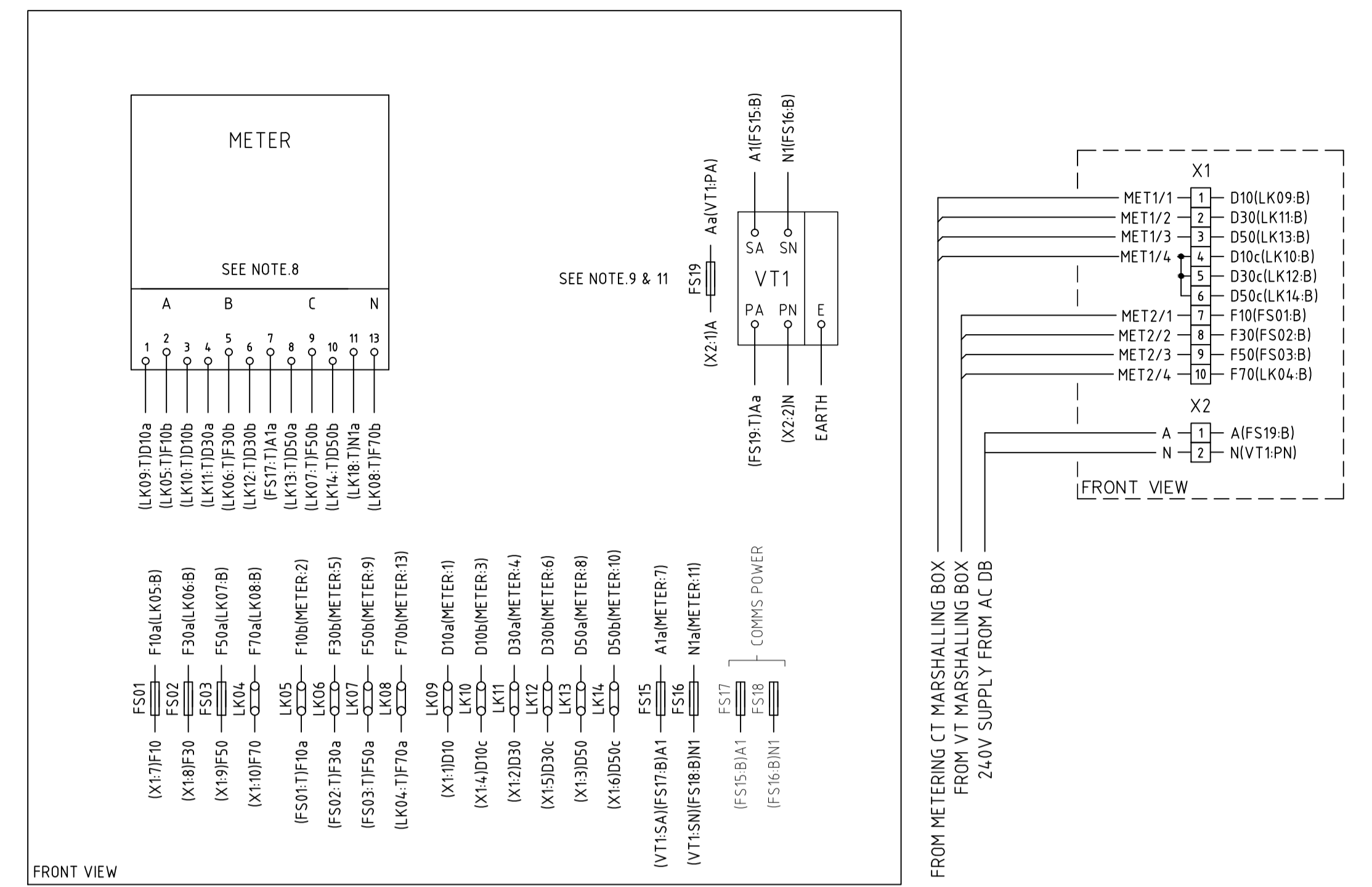
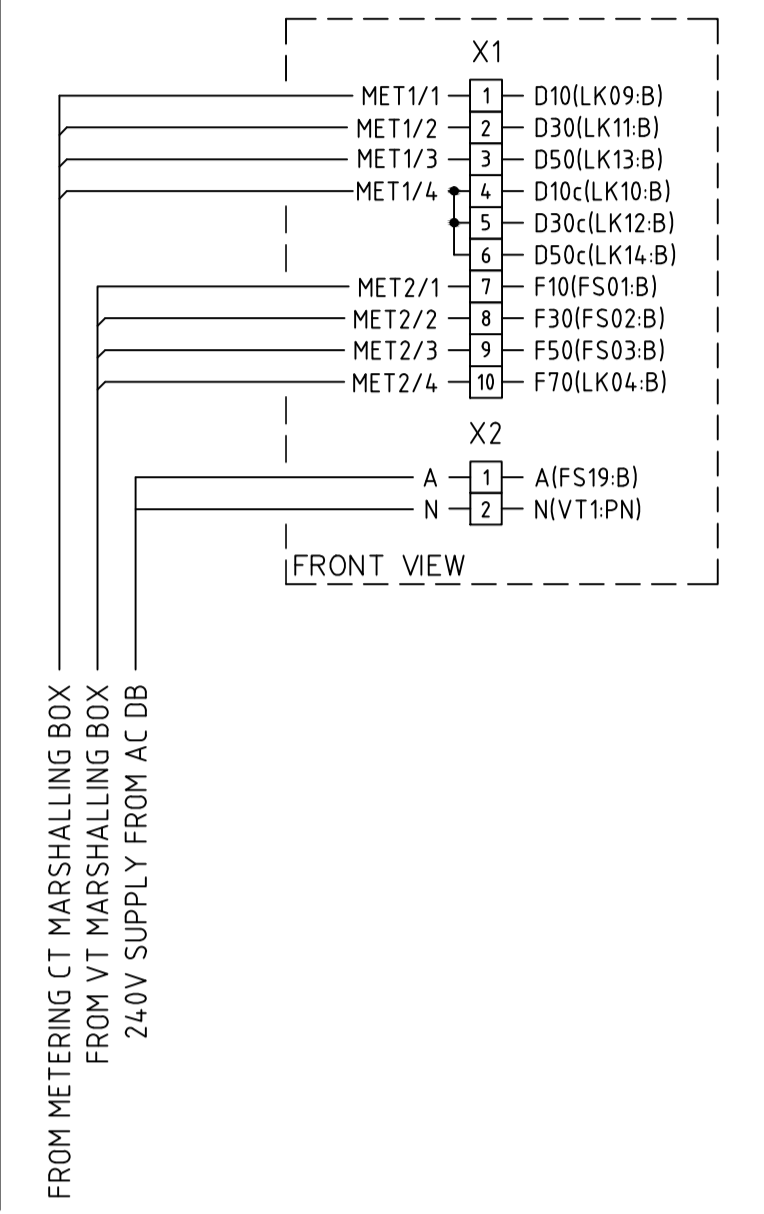


SCHEMATIC DIAGRAM
SEE NOTES 2, 3 & 12

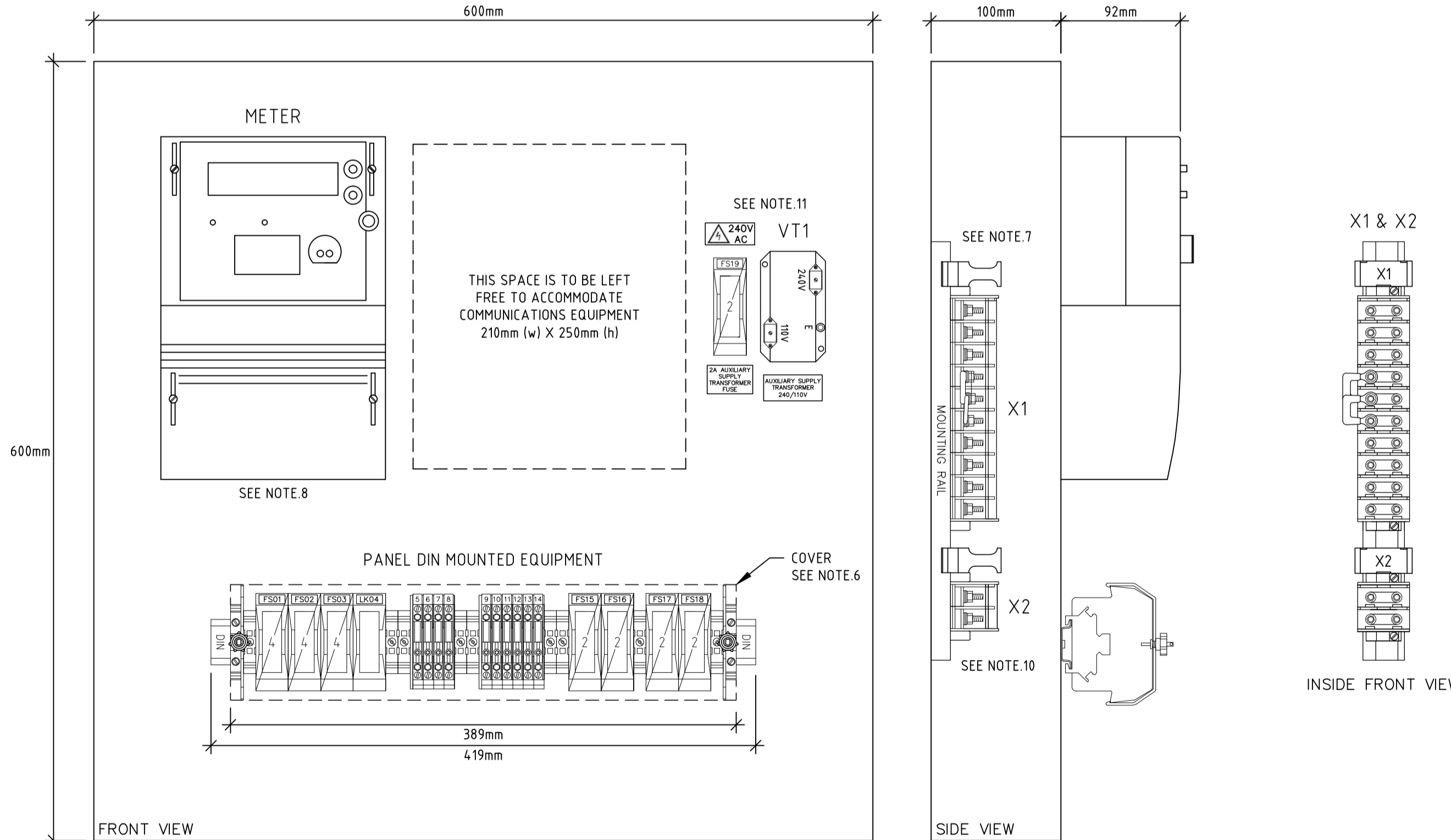
WIRING DIAGRAM
SEE NOTES 8, 9 & 11



FRONT VIEW



PANEL LAYOUT
SEE NOTES 6, 7, 8, 10 & 11



NOTES:

1. ALL PANELS, CABLING, AND EQUIPMENT SHALL BE INSTALLED IN ACCORDANCE WITH THE HIGH VOLTAGE METERING REQUIREMENTS SETOUT IN THE ELECTRICAL SUPPLY STANDARD ES3.
2. ALL CT RATIOS SHALL BE BROUGHT OUT AND TERMINATED WITHIN THE MARSHALLING BOX.
3. ALL FUSES AND LINKS CONTAINED WITHIN THE MARSHALLING BOX/S SHALL BE NUMBERED AND LABELLED APPROPRIATELY. A CORRESPONDING LEDGER WITH EACH ITEMS FUNCTION IS TO LAMINATED AND ATTACHED TO THE MARSHALLING BOX DOOR.
4. THE AC FUSE/TEST LINK/TERMINATIONS FUNCTION TABLE OR EQUIVALENT IS TO BE PRINTED OUT, LAMINATED AND APPROPRIATELY ATTACHED TO THE REAR OF THE PANELS ENCLOSURE ACCESS DOOR OR LID, OR ON THE PANEL ITSELF IF AN ENCLOSURE IS NOT USED.
5. PART NUMBERS QUOTED IN THIS DOCUMENT REFER TO COMMONLY USED EQUIPMENT AND SHOULD BE USED AS A GUIDE. ALL PARTS CAN BE OF THE SAME TYPE OR EQUIVALENT.
6. DIN MOUNTED EQUIPMENT COVER - ALL LINKS AND FUSES AT THIS TEST POINT MUST HAVE A SEALABLE COVER THAT WHEN IN POSITION NO CONDUCTOR IS EXPOSED AND HAS THE FACILITY TO BE APPROPRIATELY SEALED BY THE APPROVED METER PROVIDER. WHEN THE METERING IS INSTALLED OUTSIDE IN ENVIRONMENTS WITH HIGH LEVELS OF AIR BOURNE PARTICLES SUCH AS; COAL DUST ETC., THE PANEL ENCLOSURE SHALL BE RATED TO A MINIMUM OF IP55 TO PREVENT THE INGRESS OF SUCH MATTER.
7. THE INCOMING CT AND VT TERMINATIONS (X1) SHALL HAVE A COVER THAT PREVENTS CONTACT WITH LIVE EXPOSED CONDUCTORS AND SEPARATELY SEALED TO PREVENT UNAUTHORISED ACCESS.
8. IT IS PREFERRED THAT THE INSTALLED METER SHALL HAVE AN INTERNAL CHANGEOVER SCHEME IN THE EVENT THAT THE AUXILIARY SUPPLY FAILS.
9. THE 240V/110V AC TRANSFORMER SHALL HAVE PROVISION TO PREVENT CONTACT WITH LIVE EXPOSED CONDUCTORS. ALL CABLING ASSOCIATED WITH THE TRANSFORMER ON THE FRONT SIDE OF THE PANEL SHALL BE DOUBLE INSULATED. FS17 SHALL BE INSTALLED EXTERNAL TO THE DIN MOUNTED EQUIPMENT WITHIN THE ENCLOSURE, THERE MUST ALWAYS BE SEGREGATION OF THE 110V DIN MOUNTED EQUIPMENT TO THE 240V AUXILIARY SUPPLY. THE VT SHOWN IS FOR ILLUSTRATION PURPOSES ONLY.
10. THE 240V INCOMING TERMINATIONS (X2) SHALL HAVE A COVER THAT PREVENTS CONTACT WITH LIVE EXPOSED CONDUCTORS. A STICKER SHALL BE PLACED ADJACENT INDICATING THAT THE VOLTAGE WITHIN IS 240V.
11. A STICKER SHALL BE PLACED ADJACENT INDICATING THE AUXILIARY SUPPLY VOLTAGE LEVEL 240V.
12. THE PRIMARY CIRCUIT OF THE METERING VT MUST BE PROTECTED BY A HIGH SPEED PROTECTION DEVICE. CONSIDERATION SHOULD BE GIVEN TO INSTALLATION OF A PRIMARY PROTECTION DEVICE FOR THE VT EVEN WHEN THE VT IS INSTALLED WITHIN A HIGH SPEED PROTECTION ZONE, THIS MAY PREVENT INTERRUPTION OF CUSTOMER SUPPLY IN THE CASE OF A VT FAILURE.

ITEM	RATING	ITEM FUNCTION	MAKE	TYPE
FS01	4A	METER 110V VT POTENTIAL FUSE - REDφ	ALSTOM	SAFECLIP SC20H BLACK
FS02	4A	METER 110V VT POTENTIAL FUSE - WHITEφ	ALSTOM	SAFECLIP SC20H BLACK
FS03	4A	METER 110V VT POTENTIAL FUSE - BLUEφ	ALSTOM	SAFECLIP SC20H BLACK
LK04	LINK	METER 110V VT POTENTIAL LINK - NEUTRAL	ALSTOM	SAFECLIP SC20HWH WHITE
LK05	-	METER POTENTIAL TEST LINK - REDφ	PHOENIX	URTK/S
LK06	-	METER POTENTIAL TEST LINK - WHITEφ	PHOENIX	URTK/S
LK07	-	METER POTENTIAL TEST LINK - BLUEφ	PHOENIX	URTK/S
LK08	-	METER POTENTIAL TEST LINK - NEUTRAL	PHOENIX	URTK/S
LK09	-	METER CURRENT TEST LINK - REDφ POLARITY	PHOENIX	URTK/S
LK10	-	METER CURRENT TEST LINK - REDφ NON POLARITY	PHOENIX	URTK/S
LK11	-	METER CURRENT TEST LINK - WHITEφ POLARITY	PHOENIX	URTK/S
LK12	-	METER CURRENT TEST LINK - WHITEφ NON POLARITY	PHOENIX	URTK/S
LK13	-	METER CURRENT TEST LINK - BLUEφ POLARITY	PHOENIX	URTK/S
LK14	-	METER CURRENT TEST LINK - BLUEφ NON POLARITY	PHOENIX	URTK/S
FS15	2A	AUXILIARY SUPPLY 110V POTENTIAL FUSE	ALSTOM	SAFECLIP SC20H BLACK
FS16	2A	AUXILIARY SUPPLY 110V POTENTIAL FUSE	ALSTOM	SAFECLIP SC20H BLACK
FS17	2A	COMMUNICATIONS 110V POTENTIAL FUSE	ALSTOM	SAFECLIP SC20H BLACK
FS18	2A	COMMUNICATIONS 110V POTENTIAL FUSE	ALSTOM	SAFECLIP SC20H BLACK
FS19	2A	240V AC SUPPLY POTENTIAL FUSE	ALSTOM	SAFECLIP SC32BW BLACK
X1	-	REAR OF PANEL INCOMING CT AND VT TERMINATIONS	UTILUX	H3820
X2	-	REAR OF PANEL INCOMING 240V SUPPLY TERMINATIONS	UTILUX	H3820

AC FUSE/TEST LINK/TERMINATIONS FUNCTION TABLE

CAD DRAWING
DO NOT MANUALLY AMEND
AMENDMENTS
1. ADDED NOTE 12 REGARDING VT PRIMARY PROTECTION.
25/06/2015
MHARRISON
CHECKED
MHARRISON
APPROVED

HIGH VOLTAGE METERING LABELLING & EQUIPMENT DETAILS INSTALLATION WITH AUXILIARY SUPPLY	221332 sh.2
ASSOCIATED DRAWINGS	

Ausgrid
BSP METERING
824 OLD ILLAWARRA RD,
MENA 1 2234
PHONE: (02) 85696710

SCALE	AS SHOWN
DESIGNED	R.LOWE
DRAWN	M.HARRISON
CHECKED	A.BRADSHAW
APPROVED	R.LOWE
DATE	11/11/2013
PRJTRK No.	-
PROJECT NUMBER	-

HIGH VOLTAGE METERING
SCHEMATIC DIAGRAM, WIRING DIAGRAM
& PANEL LAYOUT
INSTALLATION WITH AUXILIARY SUPPLY
DRAWING No **221332** SHEET 1 AMD 01 SIZE A1