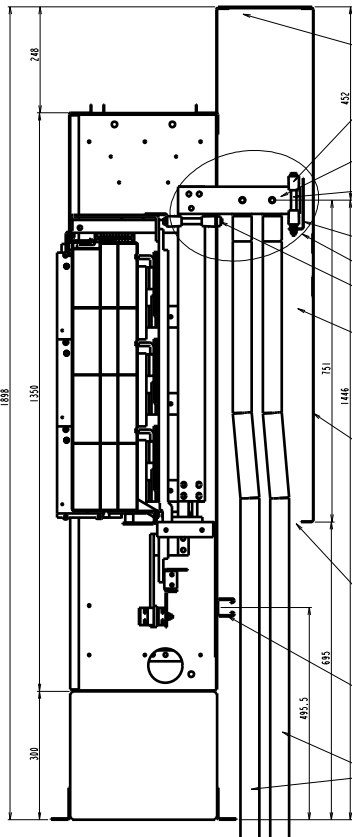
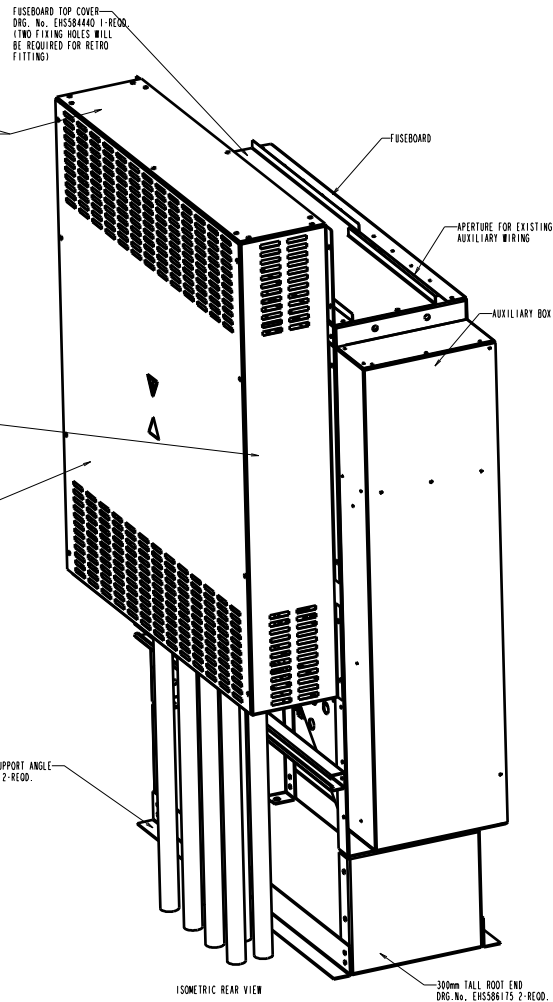


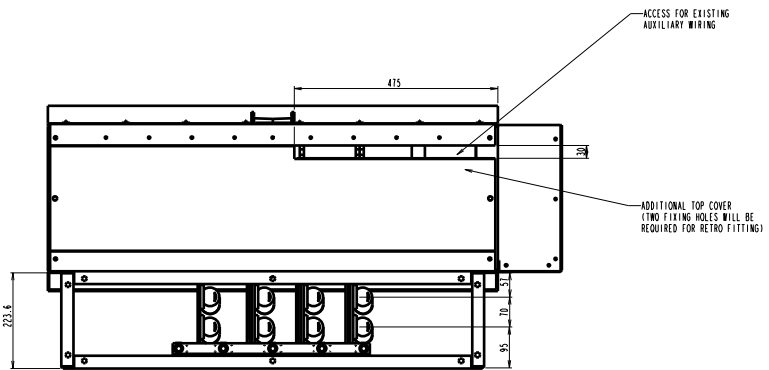
REAR VIEW WITH CABLE CHAMBER REAR COVER REMOVED



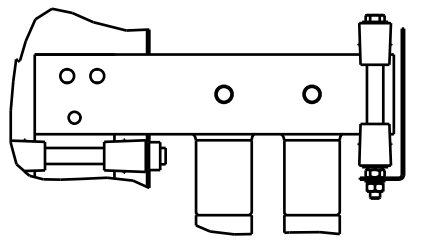
END VIEW WITH CABLE CHAMBER END COVER REMOVED



ISOMETRIC REAR VIEW



PLAN VIEW



DETAIL A
SCALE 1:2

- CABLE CONNECTION SUPPORT MOUNTINGS
DRG. No. EHS00165 1/1 01
2-REO.
- CABLE CONNECTIONS
DRG. No. EHS002101 1/1 01 4-REO
EHS002101 1/1 02 3-REO
- MOULDING SPACES
DRG. No. EHS003002 1/1 11
5-REO.
- CABLE CONNECTION END SCREEN
DRG. No. EHS003378 1-REO.
- SEE DETAIL A
- INSULATOR CAPS
400001750100 5-REO
(TO BE ADDED TO
MOULDING FIXINGS)
- CABLE CHAMBER SIDE COVERS
DRG. No. EHS01008 2-REO
(SIX FIXING HOLES WILL BE REQUIRED
FOR RETRO FITTING)
- CABLE CHAMBER REAR COVER
DRG. No. EHS01008 1-REO
- OPEN BOTTOM
- UNISTRUT CABLE SUPPORT
(REVISION 3)
- INCOMING CABLES
SIZE : ?

- FUSEBOARD TOP COVER
DRG. No. EHS584440 1-REO.
(TWO FIXING HOLES WILL
BE REQUIRED FOR RETRO
FITTING)
- CABLE CHAMBER TOP COVER
/ CABLE SUPPORT ?
- FUSEBOARD
- APERTURE FOR EXISTING
AUXILIARY WIRING
- AUXILIARY BOX
- ROOT FRONT/REAR SUPPORT ANGLE
DRG. No. EHS585115 2-REO.
- 300mm TALL ROOT END
DRG. No. EHS586175 2-REO.

EA - 205769/0

SEE ALSO DRG. No. EFS-28818-KL-2

REV	DATE	DRAWN	APPROVED	DETAILS OF REVISION
R3	26.11.08	R. BELL	A. STEEL	INCOMING CABLES WERE SHOWN WITH A RADIUS AT THE BOTTOM TO RUN AT GROUND LEVEL. UNISTRUT SUPPORT ADDED. ALL PER E-MAIL DATED 24.11.2008
R2	16.7.2008	R. BELL	A. STEEL	REAR CABLE BOX MODIFIED TO ACCEPT UPWARD CABLING
R1	15.1.2007	R. BELL	A. STEEL	UNIT RAISED BY 300mm AS REQUESTED PER E-MAIL DATED 18/12/2006

CUSTOMER ORDER No.	CUSTOMER	<p>THIS DRAWING IS THE PROPERTY OF SCHNEIDER LTD.</p>	<table border="1"> <tr> <td>DRW</td> <td>R. BELL</td> </tr> <tr> <td>DATE</td> <td>12.11.2007</td> </tr> <tr> <td>APPV</td> <td>A. STEEL</td> </tr> <tr> <td>DATE</td> <td>02.11.2007</td> </tr> </table>	DRW	R. BELL	DATE	12.11.2007	APPV	A. STEEL	DATE	02.11.2007	<table border="1"> <tr> <td>SCALE</td> <td>1:100</td> </tr> </table>	SCALE	1:100	
DRW	R. BELL														
DATE	12.11.2007														
APPV	A. STEEL														
DATE	02.11.2007														
SCALE	1:100														
HEALTH CARE CONTRACT NO.	ENERGY AUSTRALIA														

PROPOSED ARRANGEMENT OF ENERGY AUSTRALIA KL FUSEBOARD WITH ADDITIONAL CABLE CHAMBER ON REAR AND 300mm ROOT

EFS-28818-KL-1