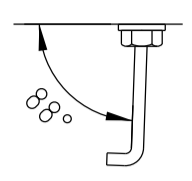


REFERENCE DRAWING	
TITLE	DRAWING No
POLE TRANSFORMER - 3 PHASE COMPOSITE POLE GENERAL ARRANGEMENT	244219

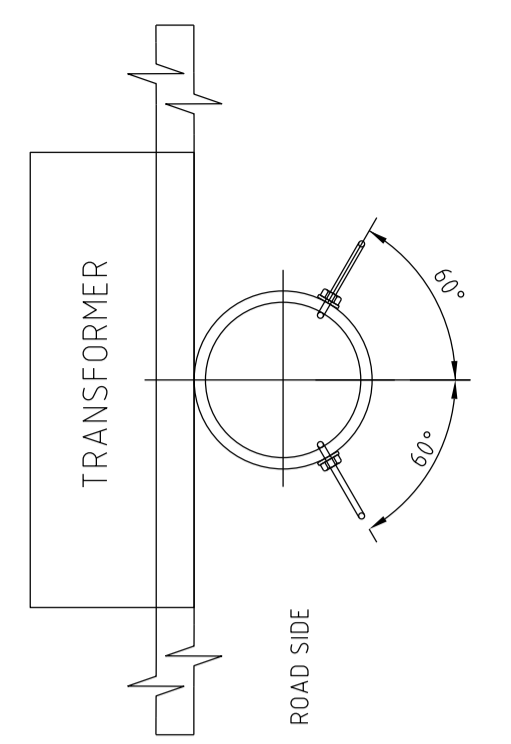
NOTES

- THIS DRAWING IS TO BE READ IN CONJUNCTION WITH NETWORK STANDARDS 122 AND 128
- THIS DRAWING IS FOR ITEM 1c OF DRAWING 244219 AND SHOWS HOLES WHICH WILL BE DRILLED BY THE POLE MANUFACTURER BEFORE POLE DELIVERY - ALL OTHER HOLES REQUIRED FOR THE INSTALLATION ARE TO BE DRILLED ON SITE IN THE LOCATIONS SHOWN ON DRAWING 244220
- REFER TO DRAWING 244219 FOR ITEMS NUMBERS SHOWN IN CIRCLES PER HOLE SIZE TABLE
- HOLES SIZES ARE SHOWN IN SQUARES AND ARE TO BE DRILLED AS HOLES FOR CROSSARMS AND TRANSFORMER MOUNTING BRACKET ARE TO BE SYMMETRICAL TO AXIS OF POLE HOLES FOR POLE STEPS ARE TO BE DRILLED AT ANGLES SHOWN ON POLE STEP DETAIL AND PLAN

HOLE SIZES	
DESIGNATION	USE
A1	EARTH CABLES Ø41
A2	EARTH CABLES Ø44
A3	EARTH CABLES Ø51
B	CROSSARMS & TRANSFORMER MOUNTING
C	POLE STEPS



POLE STEP DETAIL
SEE NOTE 4
SCALE 1:10



PLAN VIEW
SHOWING POLE STEPS
SEE NOTE 4
SCALE 1:20

POLE STEP (ITEM 2)
SET OUT
ALL HOLES ARE [C]

FRONT VIEW
SCALE 1:20

REAR VIEW
SCALE 1:20

CAD DRAWING DO NOT MANUALLY AMEND A. H. E. M. E. N. T. S.
DWN: PATRICIA RIOS
CHKD: PHILIP JONES
DATE: 29/04/2020
DIMENSIONS AMENDED.
APPD by: GLENN FORD



SCALE	AS SHOWN
DESIGNED	P.JARVIS
DRAWN	P.JARVIS
CHECKED	D.THENUWARA
APPROVED	D.GRCEV
DATE	08/10/19
PROJECT NUMBER	STD
PROJTRAK NUMBER	-

STANDARD CONSTRUCTION	
3 PHASE - 11kV COMPOSITE POLE MOUNTED DISTRIBUTION TRANSFORMER	
0-400kVA	
14m POLE MANUFACTURER DRILLING	
SIZE	DRAWING No
A1	251876
SHEET	01
AMD	1

ASSOCIATED DRAWINGS