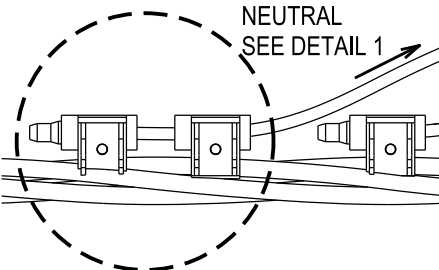
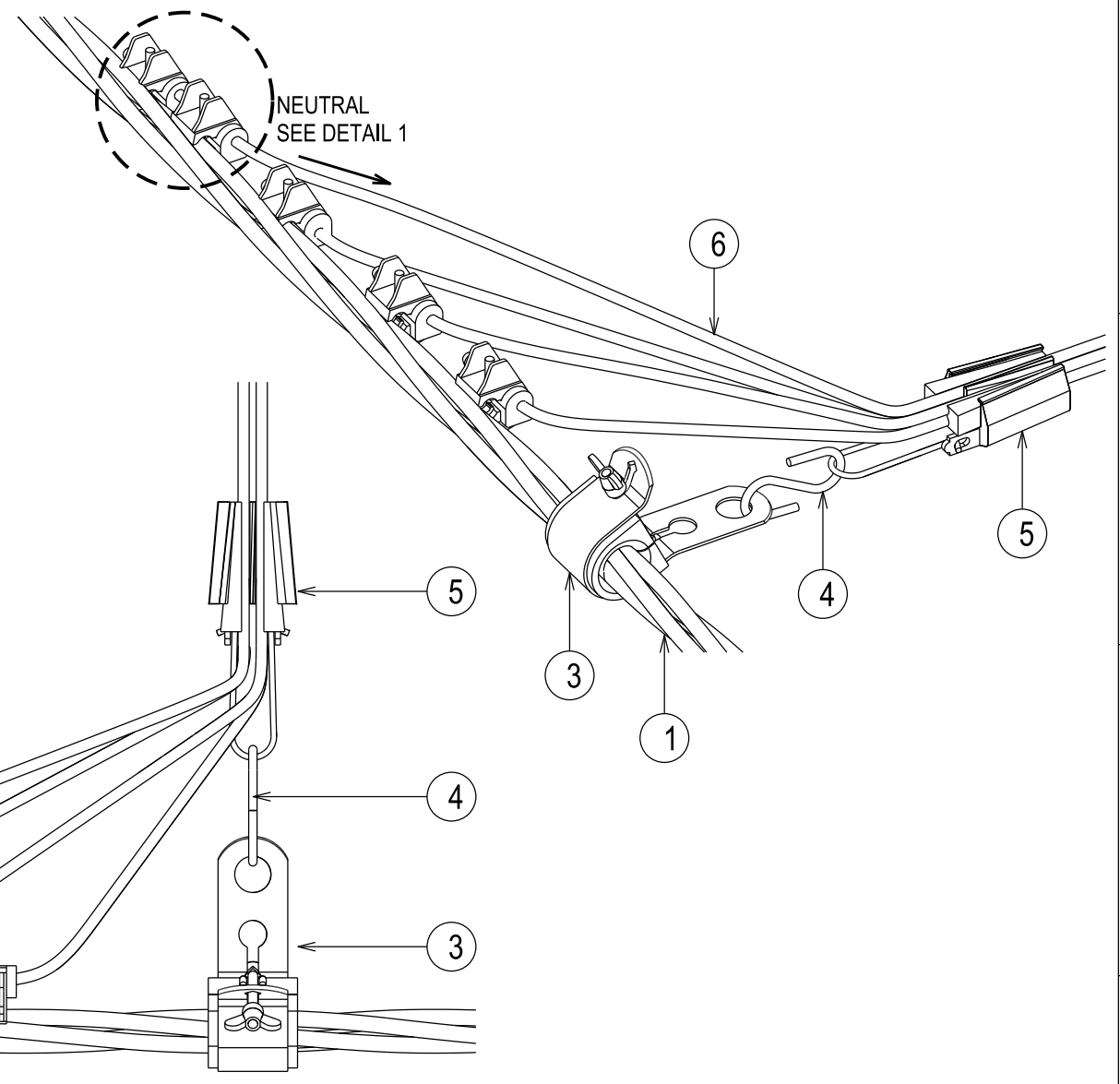
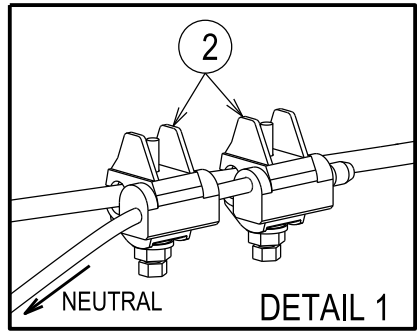


No.	DESCRIPTION	STOCK	QTY
1	MAINS CABLE - 4 CORE 95/150mm ² XLPE ABC	TBD	A/R
2	CONNECTOR - IPC 95-25/ 150-25mm ²	143891	5
3	CLAMP - CABLE SUSPENSION	148072	1
4	LINK - WEAK CONNECTING	H81976	1
5	CLAMP - CABLE STRAIN 2-4 CORE 6-25mm ²	H102491	1
6	SERVICE CABLE - 4x25mm ² XLPE, 4 CORE	H109298	A/R



CAD DRAWING.
DO NOT MANUALLY AMEND
AMENDMENTS

DWN: PATRICIA RIOS
CHKD: HIRI EHAMPARAM

DATE: 08/04/2014
NEUTRAL CONNECTION
CHANGED, DETAIL 1
ADDED, MATERIAL LIST
AMENDED.

APPD: MATTHEW CUPPLES

6

NETWORK STANDARD
Ausgrid

145 NEWCASTLE RD
WALLSEND NSW 2287
PHONE: 4951 9388
FAX: 4591 9389

DESIGNED	ROBERT KNOWLES
DRAWN	PATRICIA RIOS
CHECKED	ROBERT KNOWLES
AUTHORISED	GREG SKINNER
DATE	02/07/04
SCALE	NTS
MAP REF.	
LGA	

STANDARD CONSTRUCTION
100AMP ABC MAINS
SUPPORT FROM ABC - 3 PHASE

PROJECT No.	NET-STD
PROJTRAK No.	-
Sheet 01 of 1 Sheets	
A4	152477
	6