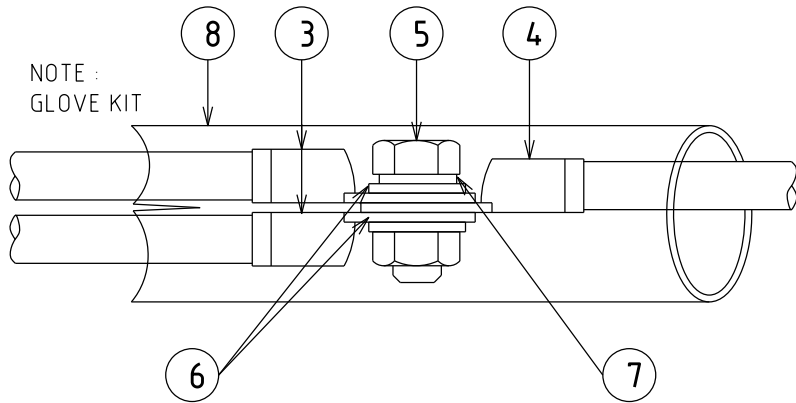
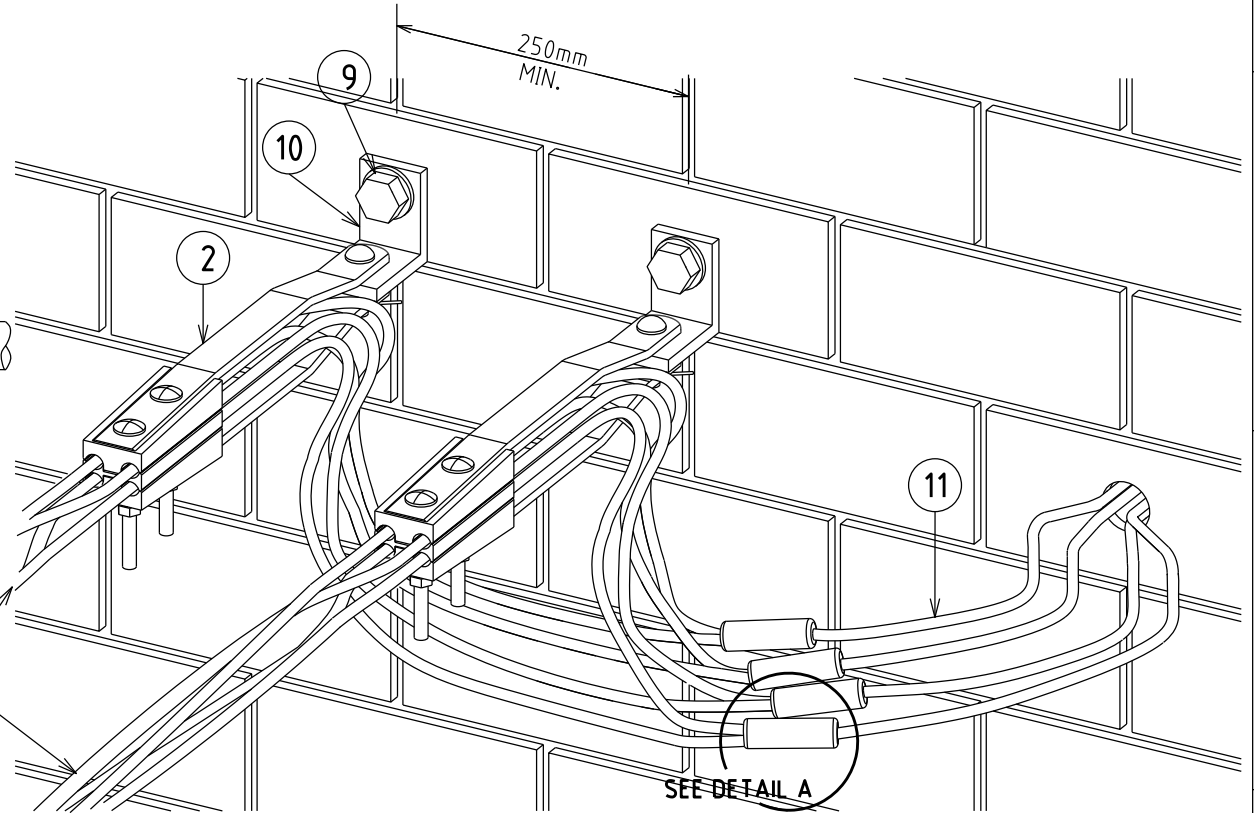


No.	DESCRIPTION	STOCK	QTY
1	CABLE - 4x95mm ² AL ABC XLPE, 4 CORE	67959	A/R
2	CLAMP - CABLE STRAIN 4 CORE 95mm ² XLPE	176652	1
3	EYELUG - 95mm ² ABC	58743	4
4	EYELUG - CUSTOMER CABLE	TBD	4
5	BOLT - M12x35mm, HEX, STAINLESS STEEL	45021	4
6	WASHER - M16, FLAT, STAINLESS STEEL	H39621	8
7	WASHER - M16, SPRING, STAINLESS STEEL	H39147	4
8	HEATSHRINK - 2 TO 1 GLOVE KIT	90324	4
9	BOLT - M16/M20, LENGTH TO SUIT	N/A	2
10	BRACKET - TERMINATION, RIGHT ANGLE GALVANISED	66571	2
11	CONSUMER MAINS		1



DETAIL A



CAD DRAWING DO NOT MANUALLY AMEND AMENDMENTS	DWN: PATRICIA RIOS	APP'D: BRETT GRENFELL
	CHKD: JOHN VINCENT	
1	DATE: 23/05/2008 TABLE AMENDED.	DWN: GARRY CRAIG
2	DATE: 11/11/2013 AUSGRID BORDER APPLIED.	CHKD: GARRY CRAIG
		APP'D: GRANT BAILEY


NETWORK STANDARD
Ausgrid
 145 NEWCASTLE RD
 WALLSEND NSW 2287
 PHONE: 4951 9388
 FAX: 4951 9389

DESIGNED	ROBERT KNOWLES
DRAWN	PATRICIA RIOS
CHECKED	ROBERT KNOWLES
AUTHORISED	GREG SKINNER
DATE	02/07/04
SCALE	NTS
MAP REF.	
LGA	

STANDARD CONSTRUCTION
400AMP 3 PHASE
SERVICE CONNECTION - WALL

PROJECT No.	NET-STD
PROJTRAK No.	-
Sheet 01 of 1 Sheets	
A4	162004
	2