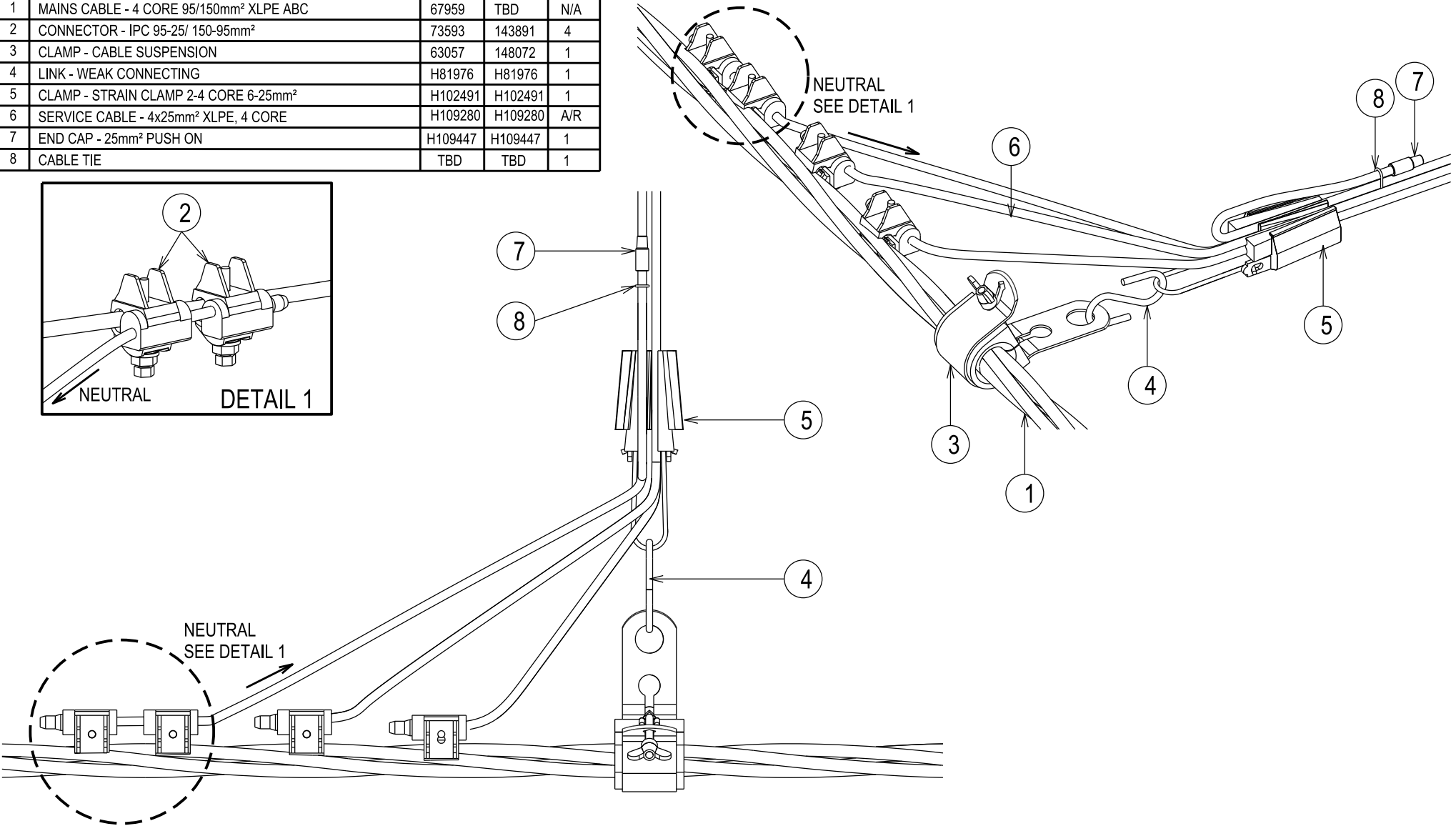
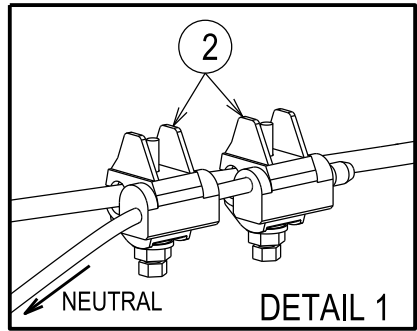


No.	DESCRIPTION	STOCK		QTY
		95mm ²	150mm ²	
1	MAINS CABLE - 4 CORE 95/150mm ² XLPE ABC	67959	TBD	N/A
2	CONNECTOR - IPC 95-25/ 150-95mm ²	73593	143891	4
3	CLAMP - CABLE SUSPENSION	63057	148072	1
4	LINK - WEAK CONNECTING	H81976	H81976	1
5	CLAMP - STRAIN CLAMP 2-4 CORE 6-25mm ²	H102491	H102491	1
6	SERVICE CABLE - 4x25mm ² XLPE, 4 CORE	H109280	H109280	A/R
7	END CAP - 25mm ² PUSH ON	H109447	H109447	1
8	CABLE TIE	TBD	TBD	1



CAD DRAWING
DO NOT MANUALLY AMEND
AMENDMENTS
DWN: PATRICIA RIOS
CHKD: HIRI EHAMPARAM
DATE: 08/04/2014
NEUTRAL CONNECTION
CHANGED, DETAIL 1
ADDED, MATERIAL LIST
AMENDED.
APPD: MATTHEW CUPPLES

NETWORK STANDARD
Ausgrid
145 NEWCASTLE RD
WALLSEND NSW 2287
PHONE: 4951 9388
FAX: 4591 9389

DESIGNED	ROBERT KNOWLES
DRAWN	PATRICIA RIOS
CHECKED	ROBERT KNOWLES
AUTHORISED	GREG SKINNER
DATE	02/07/04
SCALE	NTS
MAP REF.	
LGA	

STANDARD CONSTRUCTION
100AMP ABC MAINS
SUPPORT FROM ABC - 2 PHASE

PROJECT No.	NET-STD
PROJTRAK No.	-
Sheet 01 of 1 Sheets	
A4	167458