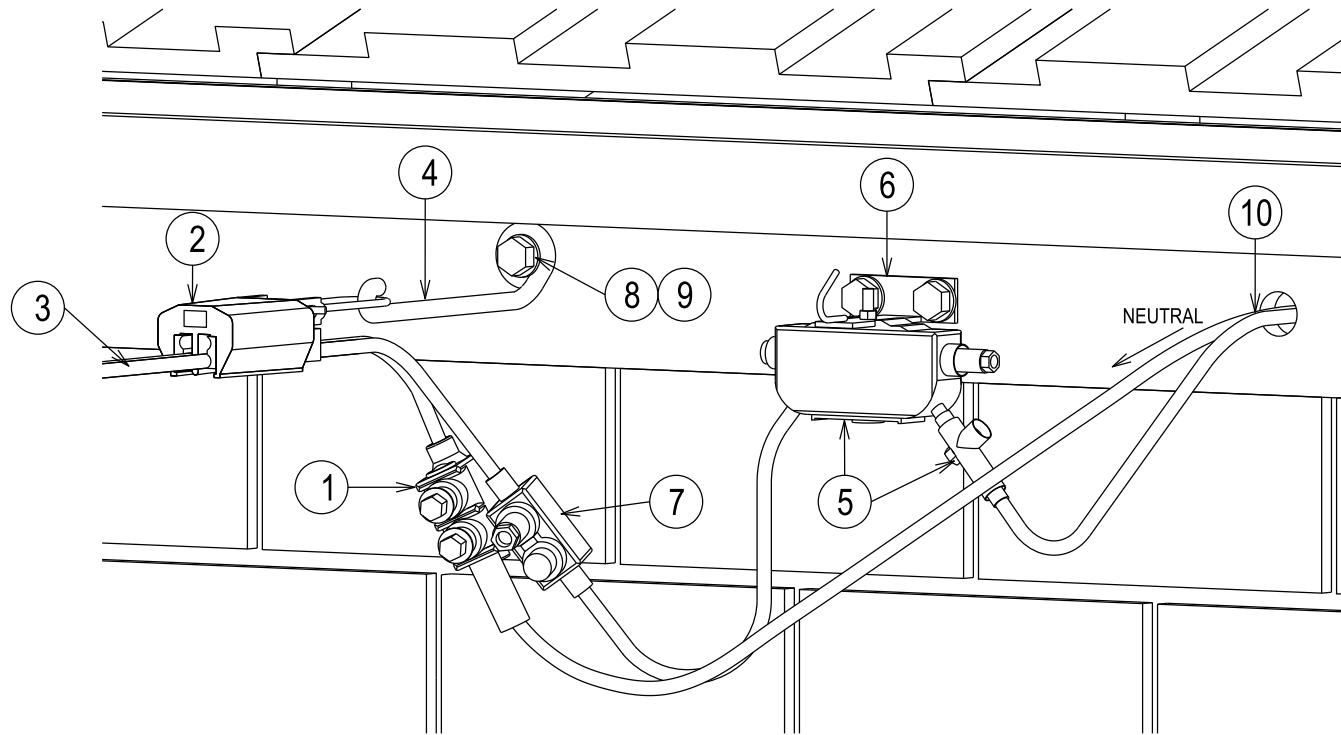


No.	DESCRIPTION	STOCK	QTY
1	CONNECTOR - SPLICE FOR NEUTRAL PHASE, 6-25 Al/Cu INSULATED SERVICE	182906	1
2	CLAMP - CABLE STRAIN 2-4 CORE 6-25mm ²	H102491	1
3	CABLE - 2x25mm ² AL ABC XLPE	H109298	A/R
4	EYENUT - M12, EXTENDED, GALVANISED	H39281	1
	HOOK - Q TYPE, EXTENDED, DRG : 117807/1	128934	-
5	FUSE - SICAME PFV100 695 WB (OR EQUIVALENT)	-	1
6	BRACKET - FUSE MOUNTING (SICAME OR EQUIVALENT)	-	1
7	CONNECTOR - SICAME HSC435 CE-16+CABLE	-	1
8	BOLT - M12, GALVANISED, LENGTH TO SUIT	-	3
9	WASHER - FLAT, M12, GALVANISED	177982	3
10	CONSUMER MAINS		1



CAD DRAWING
DO NOT MANUALLY AMEND
AMENDMENTS

DWN: PATRICIA RIOS
CHKD: HIRI EHAMPARAM
DATE: 07/05/2014
NEUTRAL CONNECTION
CHANGED MATERIAL
LIST AMENDED.

1

APPD: MATTHEW CUPPLES

NETWORK STANDARD
Ausgrid
145 NEWCASTLE RD
WALLSEND NSW 2287
PHONE: 4951 9388
FAX: 4591 9389

DESIGNED	BRETT GRENFELL
DRAWN	PATRICIA RIOS
CHECKED	NOEL DYER
AUTHORISED	BRETT GRENFELL
DATE	15/08/13
SCALE	NTS
MAP REF.	-
LGA	-

STANDARD CONSTRUCTION
100AMP HOUSE FUSE CONNECTION
1 PHASE - BARGE BOARD

PROJECT No.	NET-STD
PROJTRAK No.	-
Sheet 01 of 1 Sheets	
A4	233215 1