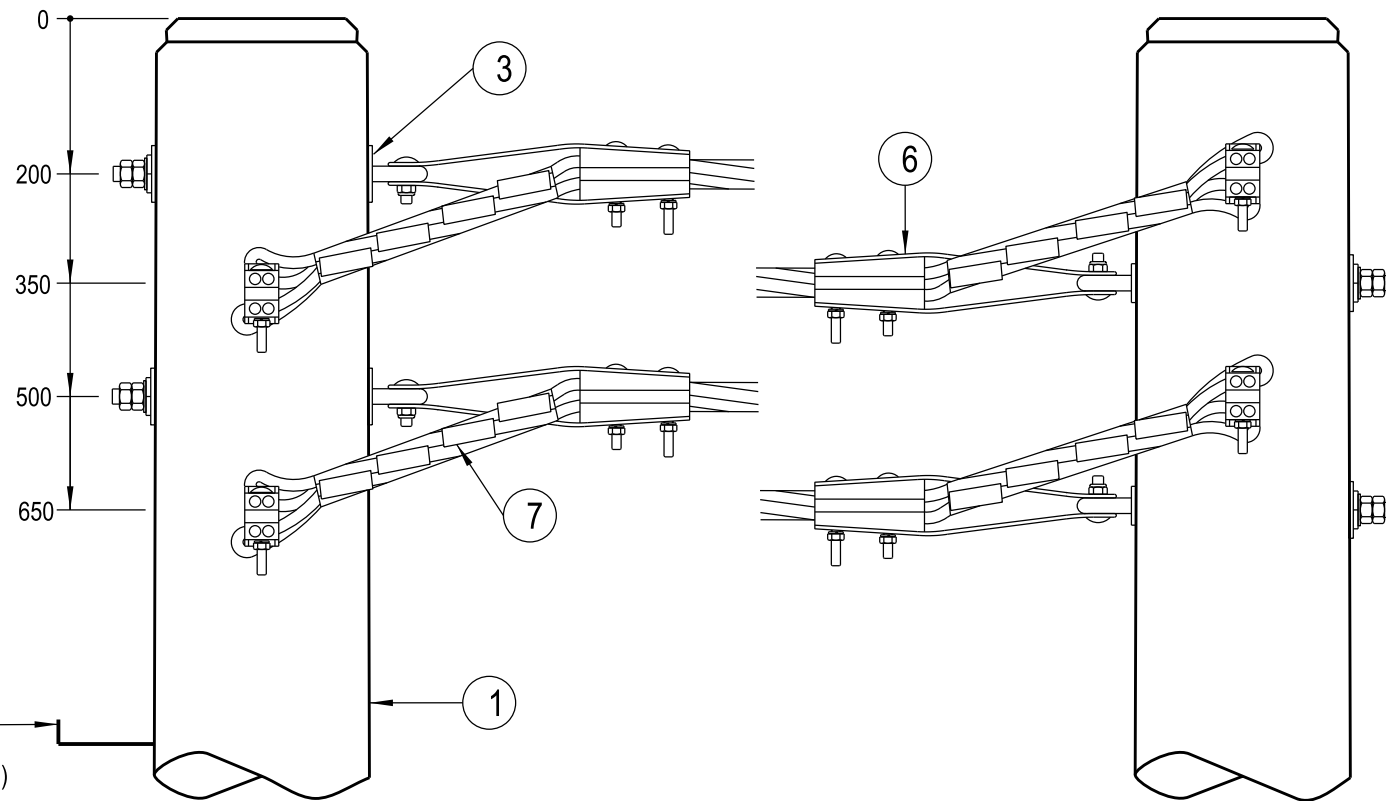


**NOTES :**

1. THE FOLLOWING INFORMATION IS OBTAINED FROM THE PROJECT DESIGN DRAWINGS :
  - a. POLE LENGTH AND STRENGTH.
  - b. SPECIAL FOUNDATION REQUIREMENTS.
  - c. POLE EMBEDMENT DEPTH.
  - d. CONDUCTOR SIZE.
  - e. STAY REQUIREMENTS.
  - f. DEVIATION ANGLE.
2. THE MAXIMUM LINE DEVIATION ANGLE TO BE CONSTRUCTED ON THIS ARRANGEMENT IS TO BE DETERMINED BY THE LINE DESIGNER.
3. THE LOAD AND DEVIATION ALLOWABLE ON THE EYEBOLT IS TO BE DETERMINED FROM DRG : 520324.
4. POLES SHALL BE DRILLED, SCARFED AND DRESSED ON SITE. DRILLING AND SCARFING TO BE TREATED WITH APPROVED PRESERVATIVES.
5. EYEBOLTS ARE TO BE INSTALLED IN THE DIRECTION OF THE OVERHEAD CONDUCTORS.
6. ALL BOLTS PASSING THROUGH TIMBER ARE TO BE COATED WITH GRAPHITE GREASE.
7. POLE STEPS ARE TO BE INSTALLED IN ACCORDANCE WITH THE REQUIREMENTS OF NS125.
8. PROVIDE BONDING BETWEEN PARALLEL CABLES APPROXIMATELY EVERY 100m AS PER ARRANGEMENT 1 ON DRG : 186336.
9. PRE-INSULATED ALUMINIUM COMPRESSION SLEEVES TO BE USED WHEN REQUIRED TO JOIN CONDUCTORS.



8	STEP - POLE, SCREW-IN (SEE NOTE 7)	250144	185198	A/R	A/R
7	SLEEVE - COMPRESSION, NON TENSION, PRE-INSULATED (TO SUIT 95mm <sup>2</sup> LV ABC)	514053	H19073	4	8
	SLEEVE - COMPRESSION, PRE-INSULATED (TO SUIT 150mm <sup>2</sup> LV ABC)	514053	150987		
	SLEEVE - COMPRESSION, NON TENSION, PRE-INSULATED (TO SUIT 25mm <sup>2</sup> LV ABC)	514053	176654		
6	CLAMP - TERMINATION (TO SUIT 2x25mm <sup>2</sup> OR 4x25mm <sup>2</sup> LV ABC)		H113464	2	4
	CLAMP - TERMINATION (TO SUIT 2x95mm <sup>2</sup> OR 4x95mm <sup>2</sup> LV ABC)		176651		
	CLAMP - TERMINATION (TO SUIT 4x150mm <sup>2</sup> LV ABC)		176652		
5	WASHER - FLAT, M20, GALVANISED	518081	177986	2	4
4	WASHER - CONICAL, M20, GALVANISED	518082	H39655	2	4
3	WASHER - SQUARE, 75x75x6mm, GALVANISED (Ø22mm HOLE)	518081	H39231	4	8
	EYEBOLT - M20, GALVANISED (LENGTH TO SUIT POLE)(SEE NOTES 3 & 5)	513653			
2				2	4
1	POLE - TIMBER (AS REQUIRED)	513988		1	1
ITEM	DESCRIPTION	DRG.NO	STOCK CODE	QTY	
				SINGLE CABLE	PARALLEL CABLE

ALL DIMENSIONS IN MILLIMETRES UNLESS NOTED OTHERWISE.

DO NOT SCALE.

CAD DRAWING  
DO NOT MANUALLY AMEND  
AMENDMENTS  
DWN: PATRICIA RIOS  
CHKD: PHILLIP JONES  
DATE: 02/01/2020  
POLE STEPS ADDED.  
NOTES & MATERIAL LIST  
AMENDED.

APP'D by: GLENN FORD



145 NEWCASTLE RD WALLSEND,  
NSW 2287

SCALE	1:10
DESIGNED	-
DRAWN	P.K
CHECKED	D.R.G
APPROVED	I NICHOLS
DATE	24/02/94
PROJECT NUMBER	NET-STD
PROJTRAK NUMBER	STD

STANDARD CONSTRUCTION  
LV ABC CORNER POLE  
CONSTRUCTION  
1-75

SIZE	DRAWING No	SHEET	AMD
A3	514014	01	12