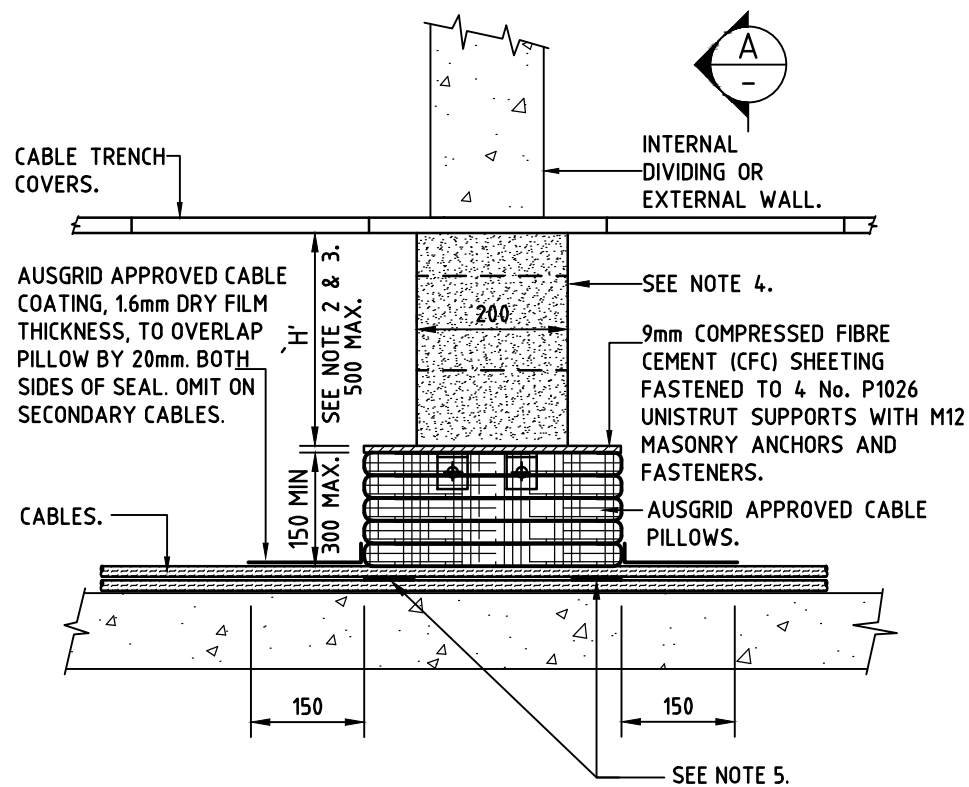
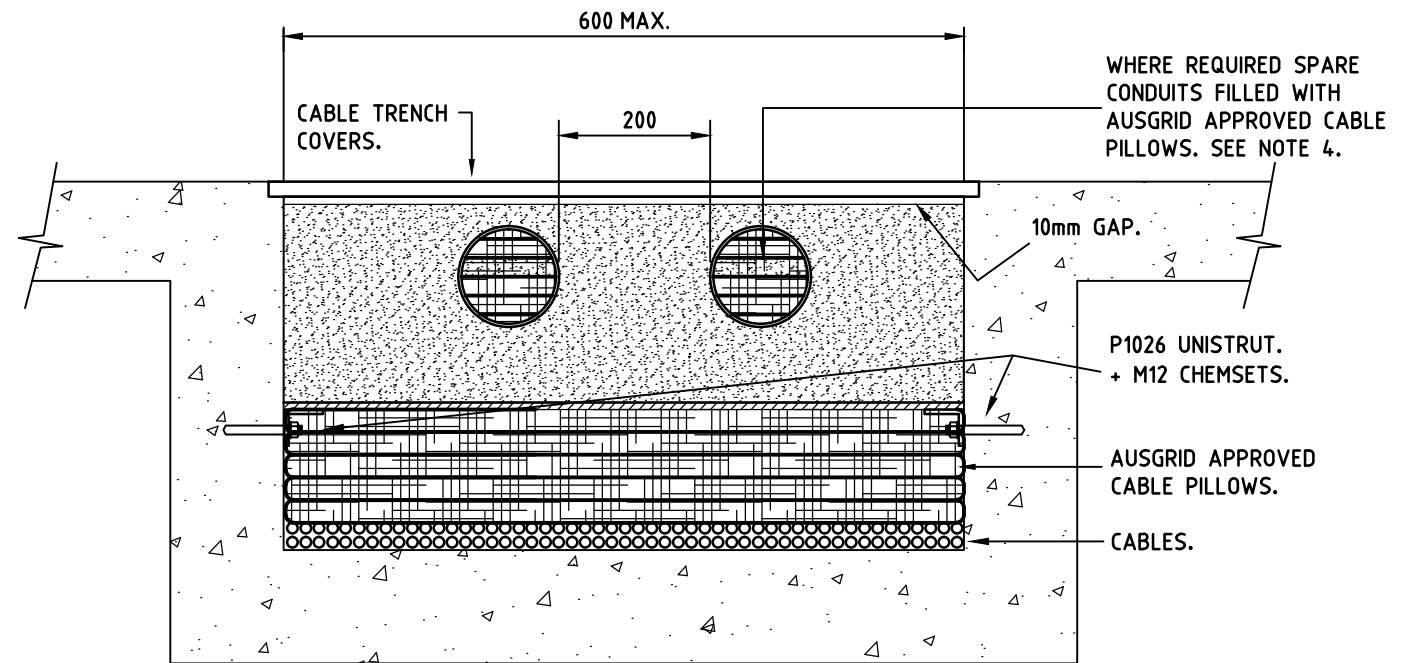


NS 171 DETAIL - APPENDIX B



**DETAIL AT CABLE TRENCH**



**SECTION A**  
SCALE 1:10

**NOTES:**

1. IF CABLE MORTAR IS SUBJECT TO MOISTURE OR OIL, THE MORTAR SHALL BE SEALED IN ACCORDANCE WITH 'PROTECTIVE COATING' DETAIL REF DRG A4-128112.
2. FOR 'H' GREATER THAN 300mm, USE 25MPa CONCRETE WITH N16-300 DOWELS PLACED AT 100 CENTRES IN THE TRENCH WALLS. 150 EMBEDMENT. PLACE SL82 MESH CENTRALLY IN WALL - 30 MIN COVER.
3. FOR 'H' UP TO 300mm, USE AUSGRID APPROVED CABLE MORTAR.
4. IF REQUIRED PLACE SPARE CONDUITS SEALED WITH CABLE PILLOWS. SEE 'SPARE CONDUIT DETAILS' REF DRG A4-128118.
5. SEAL GAPS WITH EA APPROVED MASTIC.
6. MASTIC CABLE MORTAR & CABLE PILLOWS ARE TO BE INSTALLED IN ACCORDANCE WITH THE MANUFACTURERS INSTRUCTIONS. CABLE PILLOWS MUST, WHERE EVER POSSIBLE, BE LAID FLAT AND ALL JOINTS MUST BE STAGGERED.

**LIMITATIONS OF USE:**

- i. CABLE MORTAR NOT TO BE USED WHERE SUBMERSION IN WATER IS LIKELY.

CAD DRAWING DO NOT MANUALLY AMEND	AMENDMENTS	1. DETAIL AMENDED RMI 30.09.02	2. SECTION AND NOTES REVISED. SECTION 'A' ADDED. JA 07.01.04	3. "OMIT ON SECONDARY CABLES" NOTE ADDED. JA 30.01.06	4. NEW AUSGRID BORDER & LOGO ADDED. RLAALAA 23-10-2013 APPROVED T.LAMPARD
		#####			



SCALE	1:10
DESIGNED	
DRAWN	CJS
CHECKED	JW
APPROVED	M-DESIGN JW
DATE	18/07/2002
PROJECT NUMBER	ES 102-9-1
PROJTRAK NUMBER	

<b>PILLOW SEAL FOR CABLE TRENCH.</b>		SIZE	DRAWING No	SHEET	AMD
		A3	128119	1	4