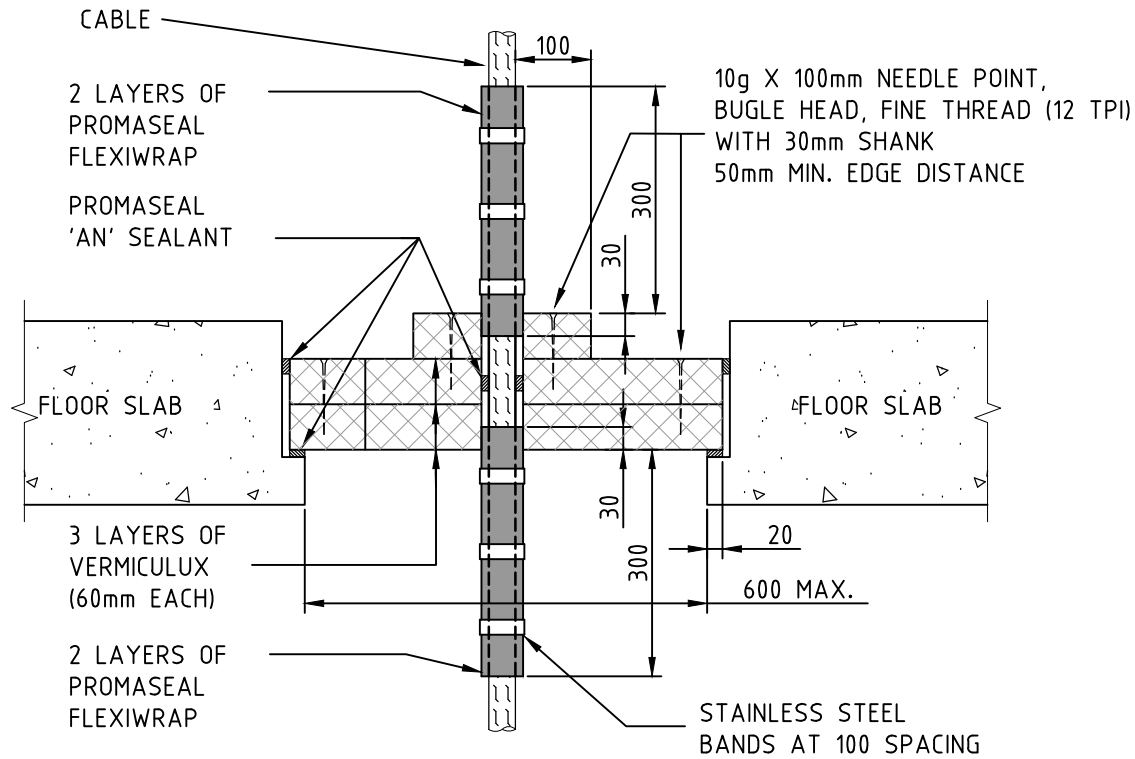


# NS 171 DETAIL - APPENDIX B



SECTION

## NOTES

1. NOT FOR OUTDOOR APPLICATIONS
2. PAINT 'NO STEP' ON LOCATIONS WHERE PEDESTRIAN TRAFFIC IS POSSIBLE
3. REFER TO DRAWING No. 208657 FOR ALTERNATIVE CONFIGURATION

CAD DRAWING  
DO NOT MANUALLY AMEND  
AMENDMENTS  
0. ISSUED FOR  
CONSTRUCTION  
JA 27-05-2010  
1. NEW AUSGRID BORDER  
& LOGO ADDED.  
RLAALAA 17-10-2013  
APPROVED T.LAMPARD



SCALE	1:10
DESIGNED	
DRAWN	JA
CHECKED	JW
APPROVED	M-DESIGN JW
DATE	MARCH 2009

CABLE SLOT SEAL  
USED FOR CABLE OPENINGS  
THROUGH FLOOR SLABS.

PROJECT No.	
PRJTRK No.	
Sheet	1
A4	208655 1