

FUSES ON A.C. PANEL
SEE NOTE 5.

D.O.L STARTER

M.T.P.

FAN3

FAN2

FAN1

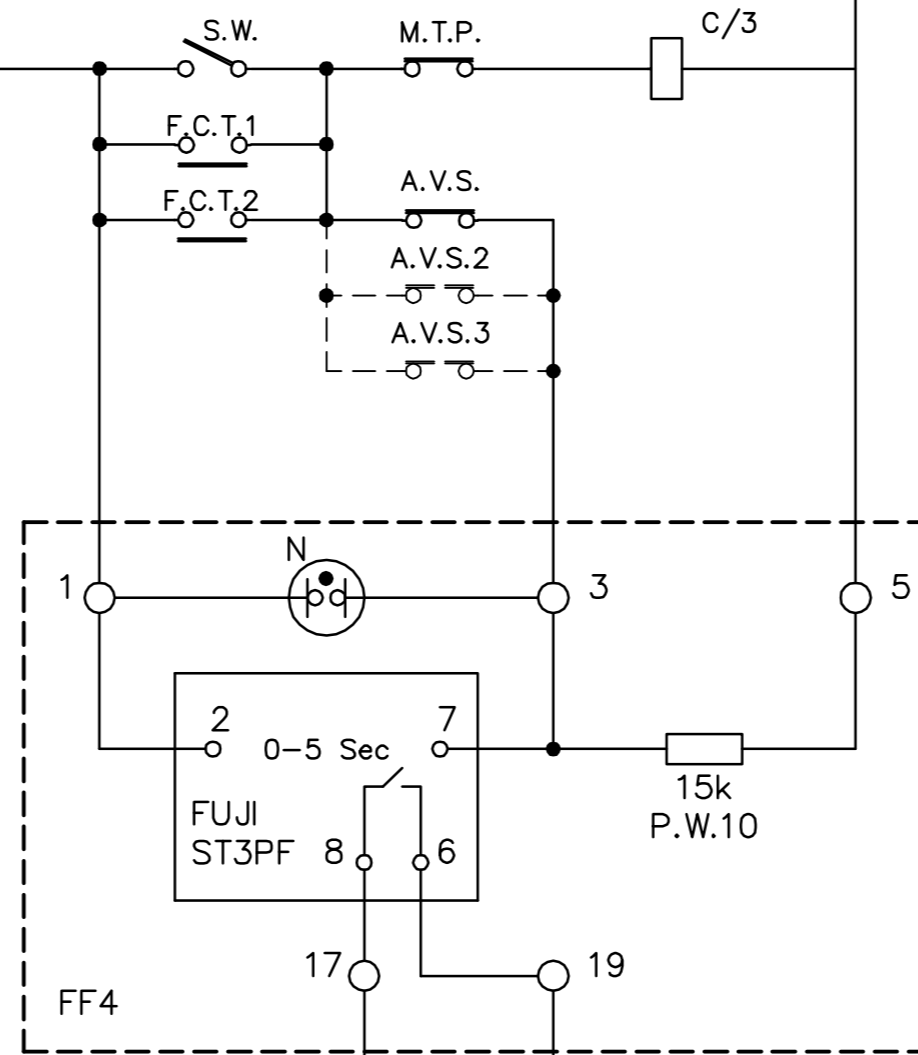
SEE NOTE 4

REFERENCE DRAWINGS

FAN CONTROL MARKS II & III LAYOUT DRILLING & BOX DETAIL	A2-54300
FAN CONTROL MARKS II & III WIRING DIAGRAM	A3-54301
FAN CONTROL RELAY PANEL EXISTING & Mk I WIRING DIAG	A2-24627
BC-20 CASES - WIRING DIAGRAMS SHEET 3.	A1-53829
AIR VANE SWITCH TYPE 3.	A1-32346
FAN FAILURE SIGNAL BOX LAYOUT	A1-116814
FAN FAILURE PANEL WIRING DIAGRAM.	A3-113885

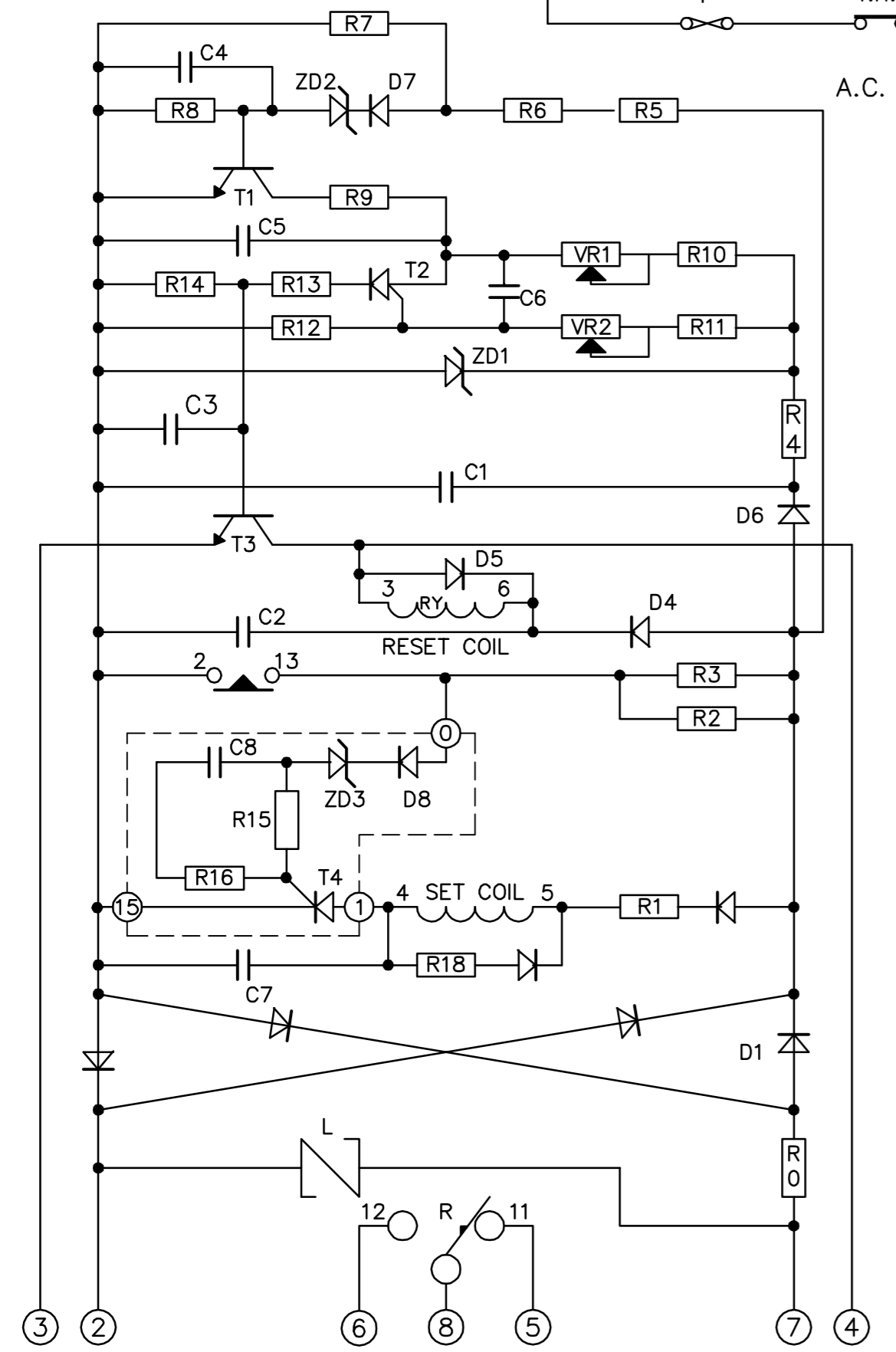
NOTES.

1. T.H. thermostats to be thermal control type LB (double break) 25A non-inductive, 5A inductive.
2. T.H.1, T.H.2 & T.H.3 open at 70oC and latch open, and must be manually reset. They are mounted in the A.V.S. connection box.
3. T.H.2 & T.H.3 will be required when fans 2 & 3 are installed.
4. Fan motor is 3 phase 415V, 0.37 to 2.5 kW.
5. Fuses to be 4A to 10A. Size to be determined by Prot. E.
6. F.C.T.1 & F.C.T.2 units mounted on selected transformers. Contacts set to close at 60oC.
7. Suburban distribution substations fan installation A3-113890.
8. Existing control panels manufactured prior to 1-6-78 are wired to dwg A2-24627 using schematic A3-113609.



TO SIGNAL MARSHALLING BOX (CITY) (SEE A3-113885)
OR FAN FAIL SIGNALS BOX (SUBURBAN) (SEE A1-116814).

FF4	FAN FAIL RELAY FUJI ST3PF 0-5 Sec RELAY 240V AC
N	NEON INDICATOR NOVATECH PANEL LAMP PL10 240V AC RED WITH LEADS
C	CONTACTOR COIL 240V AC
A.V.S.	AIR VANE SWITCH
F.C.T.	FAN CONTROL THERMOSTAT JOHNSON CONTROLS A19AAC-13 40-120oC SPDT
S.W.	FAN CONTROL THERMOSTAT SHORTING SWITCH
T.H.	THERMOSTAT FOR FIRE DETECTION (See Note 1) ROBERTSHAW MR2
F	10A FUSE
M.T.P.	MOTOR THERMAL PROTECTION
ITEM	REMARKS
LEGEND	



FUJI ST3PF 0-5 SEC TIMER DETAILS.

CAD DRAWING
DO NOT MANUALLY AMEND
AMENDMENTS
3. NEW TRACING MADE
M.T.P. AND C REVERSED
D.R.B 16-6-89
CHECKED A.S.K.
PROD No 23996.

NETWORK STANDARD

DESIGN SERVICES
24 CAMPBELL ST SYDNEY, NSW 2000

Enerserve
A business of EnergyAustralia

SCALE	AS SHOWN
DESIGNED	-
DRAWN	HEB
CHECKED	ASK
APPROVED	RM
DATE	23.7.85
PRJTRK No.	-
PROJECT NUMBER	21252

DISTRIBUTION SUBSTATIONS FAN CONTROL MARK III SCHEMATIC DIAGRAM			
DRAWING No	64599	SHEET -	AMD 3
SIZE	A2		