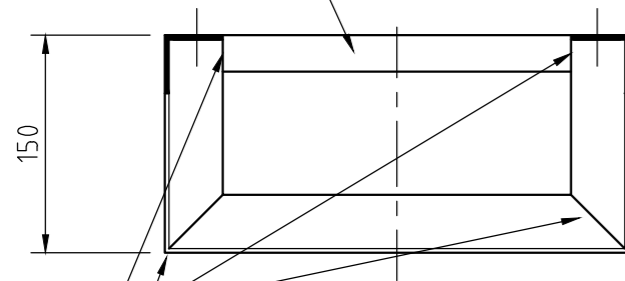


MANUFACTURING DETAILS

SCALE 1:5

BOTH TIERS ARE TO HAVE A 25mm x 3mm FLAT BAR BUTT WELDED TO ANGLE FRAME. TOP OF ANGLE AND FLAT BAR TO BE LEVEL



ALL WELDS TO BE UNDERNEATH

PLAN

NOTES

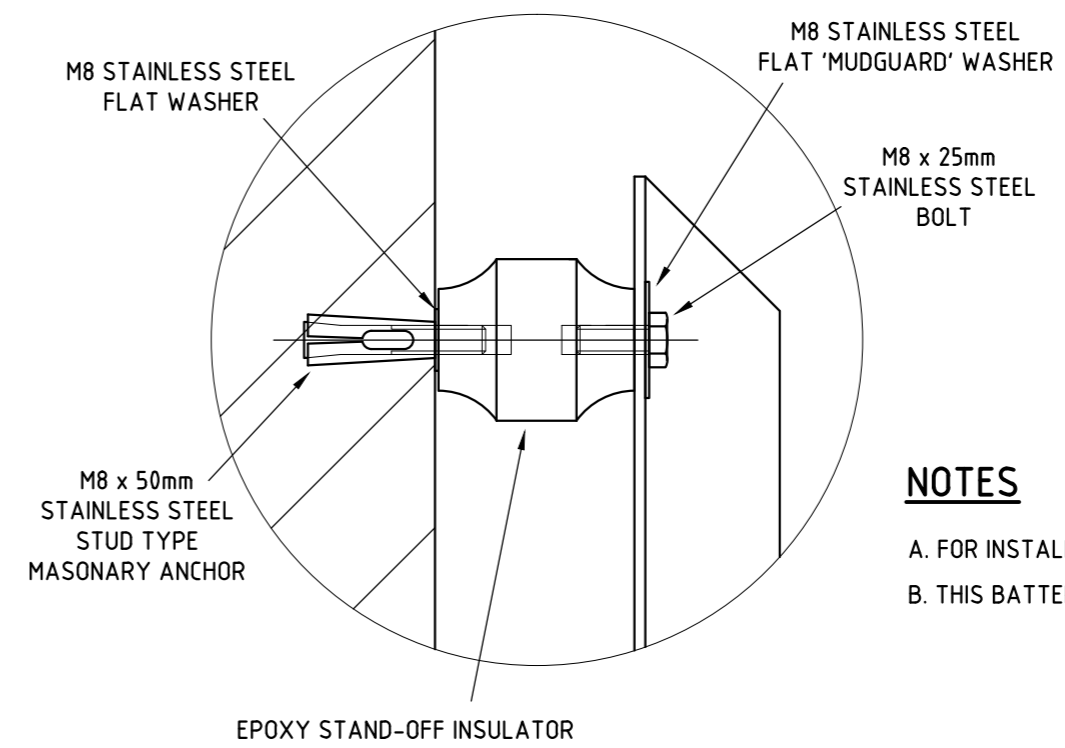
- ALL STEELWORK TO BE FABRICATED IN ACCORDANCE WITH AS 3990.
- UNLESS NOTED OTHERWISE:
 - ALL HOT ROLLED FLATS TO BE GRADE 250 MINIMUM IN ACCORDANCE WITH AS 1594.
 - ALL HOT ROLLED BARS & SECTIONS TO BE GRADE 300 MINIMUM IN ACCORDANCE WITH AS 3679.
 - ALL HOLLOW SECTIONS TO BE GRADE C250 MINIMUM IN ACCORDANCE WITH AS 1163.
- AFTER FABRICATION, ALL BURRS AND SHARP EDGES TO BE REMOVED.
- ALL WELDING TO BE IN ACCORDANCE WITH AS 1554.1.
 - A WELDING PROCEDURE SHALL BE QUALIFIED BEFORE WELDING.
 - A WELDING PROCEDURE SPECIFICATION (WPS) TO BE DEVELOPED FROM THE PROCEDURE QUALIFICATION RECORD (PQR).
 - PRODUCE DOCUMENTARY EVIDENCE OF MACRO TEST, TENSILE AND BEND TEST IN ACCORDANCE WITH AS 1554.1
- CONSUMABLES (ELECTRODES) SHALL BE MATCHED WITH THE STEEL TYPE IN COMPLIANCE WITH AS/NZS 1554.1 TABLE 4.6.1(A) & THE RELEVANT COLUMNS OF THE TABLE DEPENDING ON THE TYPE OF WELDING PROCESS BEING UNDERTAKEN.
- UNLESS NOTED OTHERWISE:
 - ALL WELDS SHALL BE 5mm CONTINUOUS FILLET WELDS, CATEGORY GP.
 - BUTT WELDS SHALL BE CONTINUOUS FULL PENETRATION, CATEGORY SP.
 - ALL WELDS TO BE CARRIED OUT IN THE SHOP UNLESS NOTED AS 'WELD ON SITE'.
- WELDS SHALL BE INSPECTED TO AS/NZS 1554.1 CLAUSE 7.3 (VISUAL INSPECTION OF WORK) UNLESS THE WELDING PROCESS IS SUPERVISED AND CARRIED OUT BY QUALIFIED PERSONNEL AS DEFINED IN AS/NZS 1554.1 CLAUSE 4.12.1 AND CLAUSE 4.12.2.
- AFTER FABRICATION, ALL WELDS ARE TO BE CHIPPED FREE OF SLAG, ALL BURRS AND SHARP EDGES ARE TO BE REMOVED.
- BRACKET TO BE PAINTED WITH ALKALI RESISTING GREY PAINT.

INSTALLATION DETAILS

SCALE 1:5

INSET

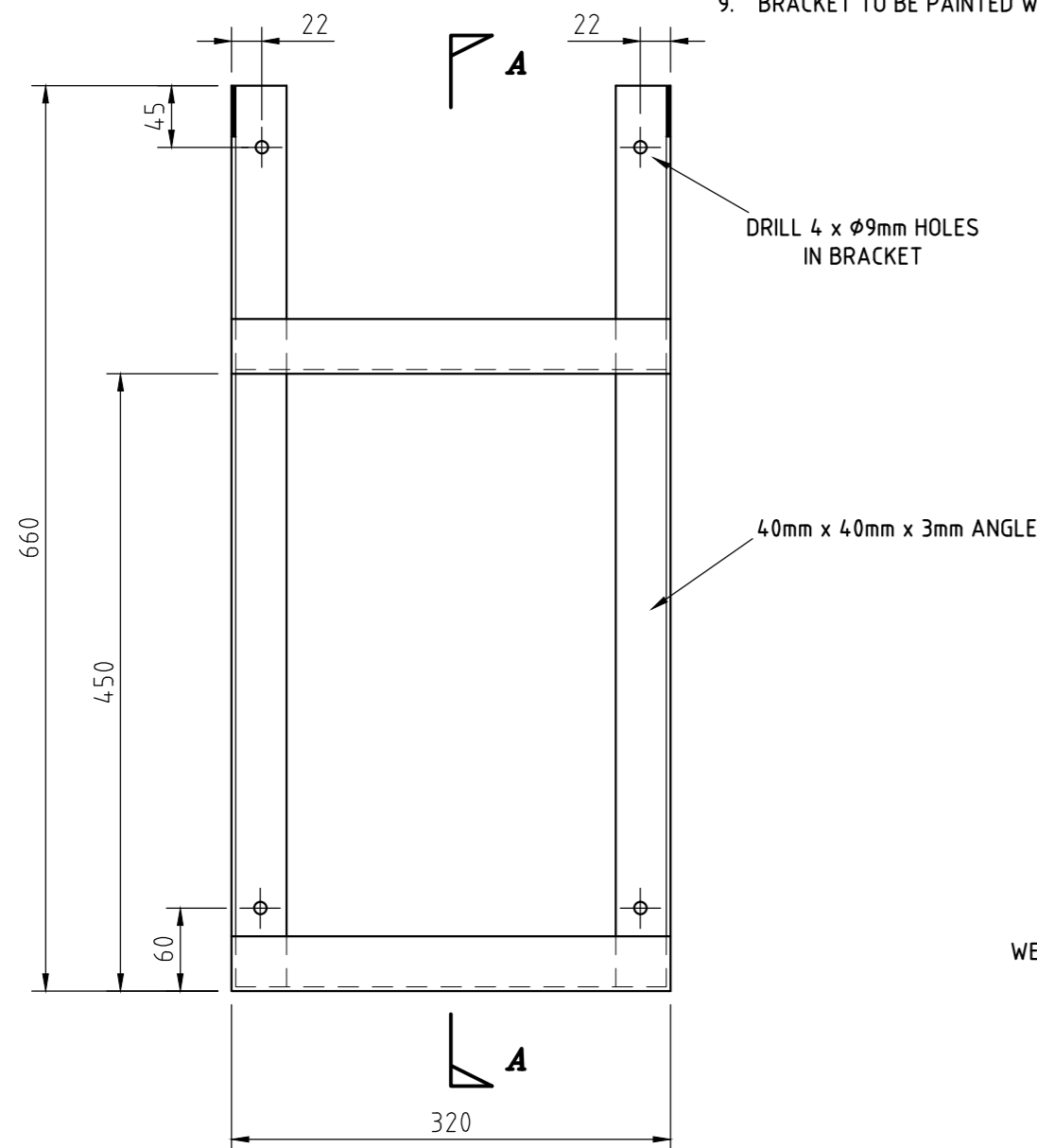
SCALE 1:2



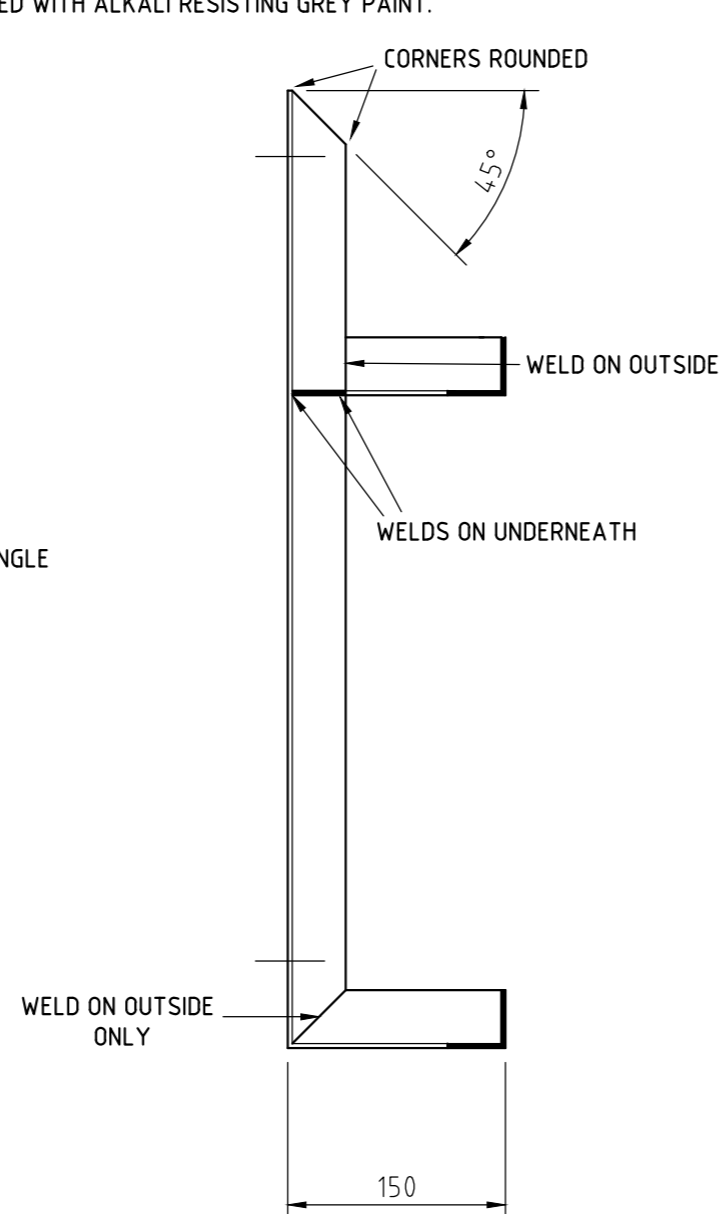
STOCKCODE	DESCRIPTION
96529	BATTERY SUPPORT FRAME
95364	EPOXY STAND-OFF INSULATOR
-	M8 x 50mm STAINLESS STEEL STUD TYPE MASONRY ANCHOR
-	M8 x 25mm STAINLESS STEEL BOLT
-	M8 STAINLESS STEEL FLAT WASHER
-	M8 STAINLESS STEEL FLAT 'MUDGUARD' WASHER

NOTES

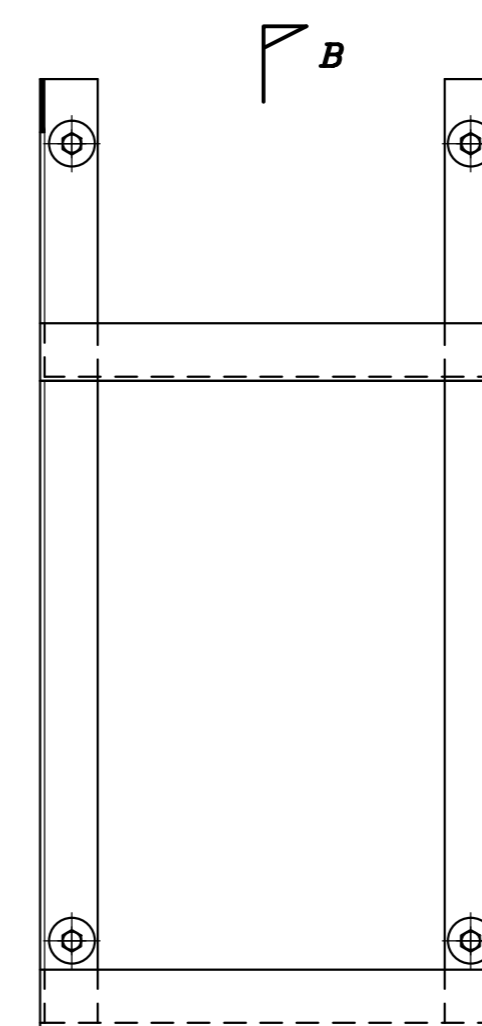
- FOR INSTALLATION DETAILS REFER TO NS114.
- THIS BATTERY FRAME SUITS BATTERIES SUPPLIED UNDER STOCKCODE 96602.



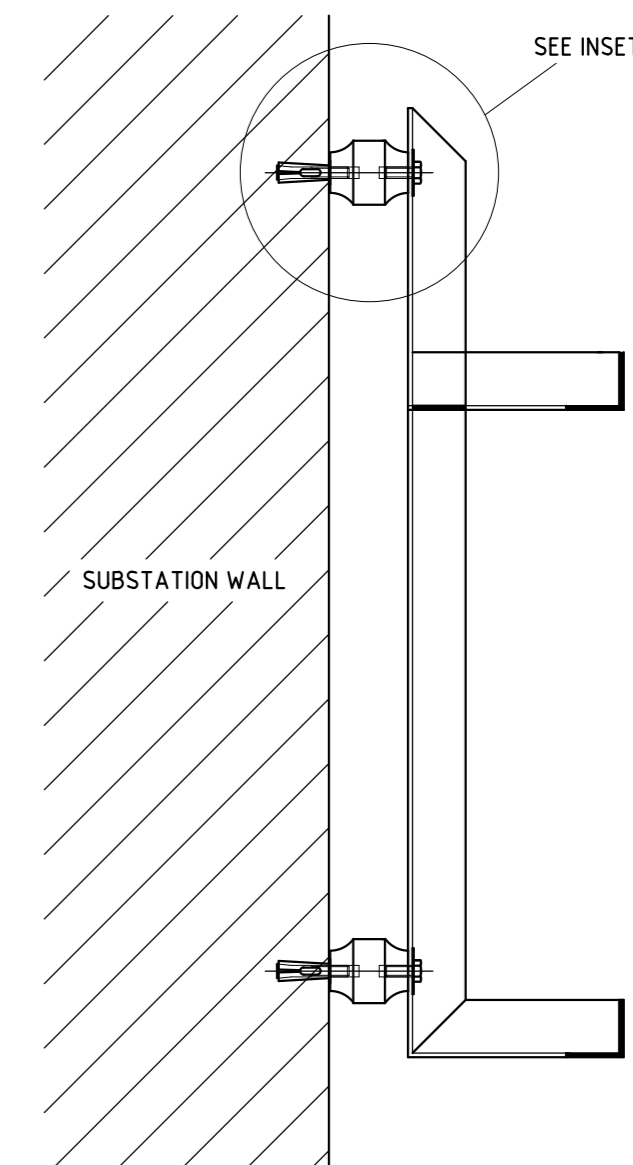
ELEVATION



SECTION A-A



ELEVATION



SECTION B-B

CAD DRAWING
DO NOT MANUALLY AMEND
AMENDMENTS
15. NEW DRAWING MADE.
DRAWING RECONFIGURED
INTO MANUFACTURING
AND INSTALLATION
SECTIONS.
DETAILS RESCALED TO
1:5.
GALVANISING DELETED
FROM MANUFACTURING
NOTES.
INSTALLATION NOTES
RENUMBERED.
OPEX 6568-1-1-6
P.JARVIS 22.9.15
CHECKED: M.CHARAN
APPROVED: M.GIBSON

CONSTRUCTION

NETWORK STANDARD
Ausgrid
ENGINEERING DIVISION
PRIMARY SYSTEMS
TRANSMISSION & DISTRIBUTION SUBSTATION ENGINEERING
25-27 POMEROY STREET, HOMEBUSH

SCALE	AS SHOWN
DESIGNED	
DRAWN	
CHECKED	
APPROVED	
DATE	06/1939
PROJECT NUMBER	
PROJTRAK NUMBER	

SIGNED ON ORIGINAL

DISTRIBUTION SUBSTATIONS
WALL MOUNTED DOUBLE TIER SUPPORTING
FRAME FOR TRIPPING BATTERIES
MANUFACTURING AND INSTALLATION

SIZE	DRAWING No	SHEET	AMD
A2	10635	1	15