

A

B

C

D

E

F

A

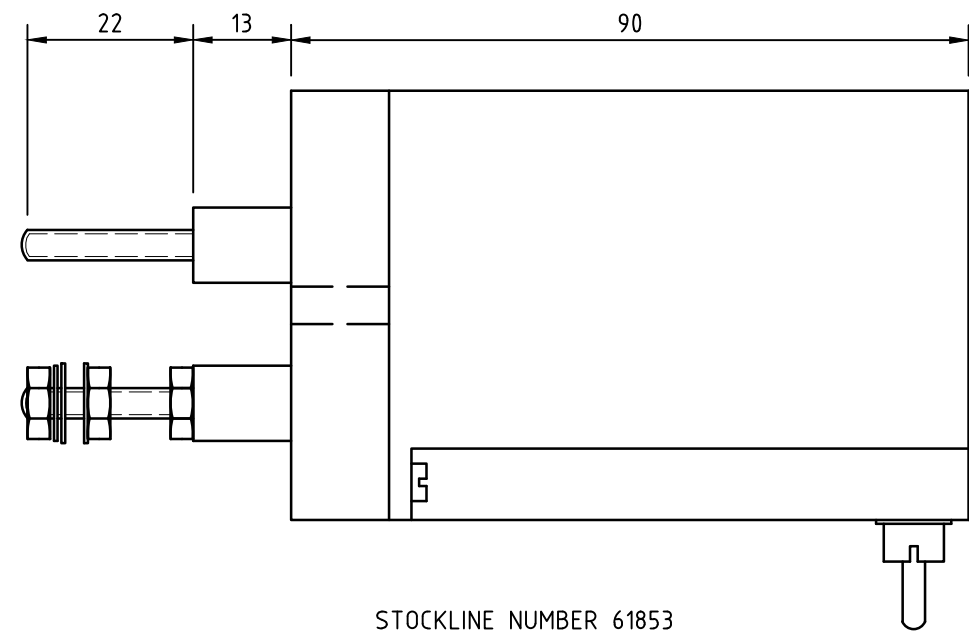
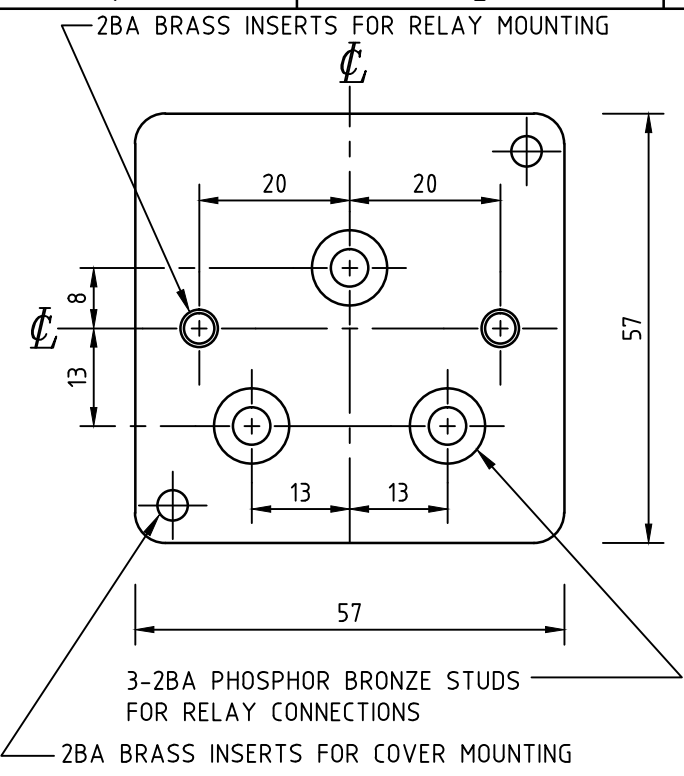
B

C

D

E

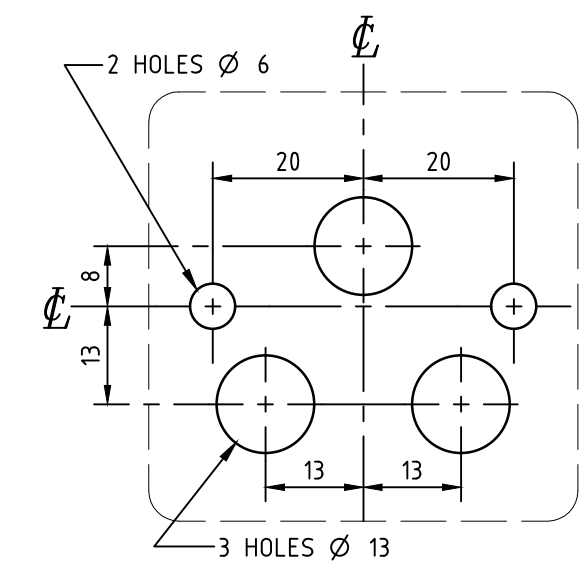
F



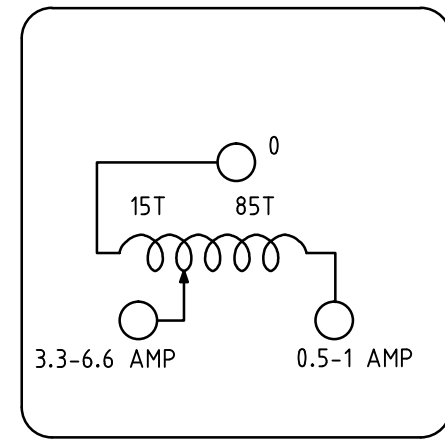
NOTES:

1. EARTH FAULT INDICATOR (EFI3) IS INTENDED FOR PANEL MOUNTING, IT IS ALSO FOR USE IN KIOSKS (USING THE BRACKET ON A3-53567 FIXED TO THE RMI SUPPORT FRAME). IT IS NOT WEATHERPROOF; FOR OUTDOOR INSTALLATION USE EFI3-W RELAY ON A3-65850
2. FOR APPLICATIONS REQUIRING AN EARTH FAULT SIGNAL, EARTH FAULT RELAY EFI4 AND ASSOCIATED BRACKET SHOULD BE USED, REFER DRAWING A3-125550.

OUTLINE



PANEL DRILLING



CONNECTION DIAGRAM

(REAR VIEW)

WINDING DETAILS :

- 0.5-1 AMP RANGE, 100 TURNS 18SWG 0.07 OHMS
- 3.3-6.6 AMP RANGE, TAP AT 15 TURNS 0.02 OHMS

| | |
|--------------------------------|----------------------|
| EARTH INDICATOR RELAY | A4-113666 |
| SCOTCHCAL LABEL MASTER | A3-61390 (EFI3 ONLY) |
| EFI3-W (WEATHERPROOF) | A3-65850 |
| FUSE SW & RMI MOUNTING BRACKET | A3-53567 |
| REFERENCE DRAWINGS | |

CAD DRAWING
DO NOT MANUALLY AMEND
AMENDMENTS
6. DWG CONVERTED TO CAD.
NOTE 2 ADDED.
S.B. 2-3-00
CHK/APP: PIE

7. NEW AUSGRID BORDER &
LOGO ADDED.
R.LAALAA 17-09-13
APPROVED T.LAMPARD

NETWORK STANDARD

DESIGN SERVICES
24 CAMPBELL ST SYDNEY NSW 2000

| | |
|-----------------|-----------|
| SCALE | FULL SIZE |
| DESIGNED | - |
| DRAWN | SB |
| CHECKED | PIE |
| APPROVED | OZ |
| DATE | 2.3.00 |
| PROJECT NUMBER | - |
| PROJTRAK NUMBER | - |

**EARTH FAULT INDICATOR
TYPE EFI 3 OUTLINE,
DRILLING & CONNECTION DIAGRAM**

| | | | |
|-----------|---------------|-------|----------|
| SIZE | DRAWING No | SHEET | AMD |
| A3 | 113884 | - | 7 |