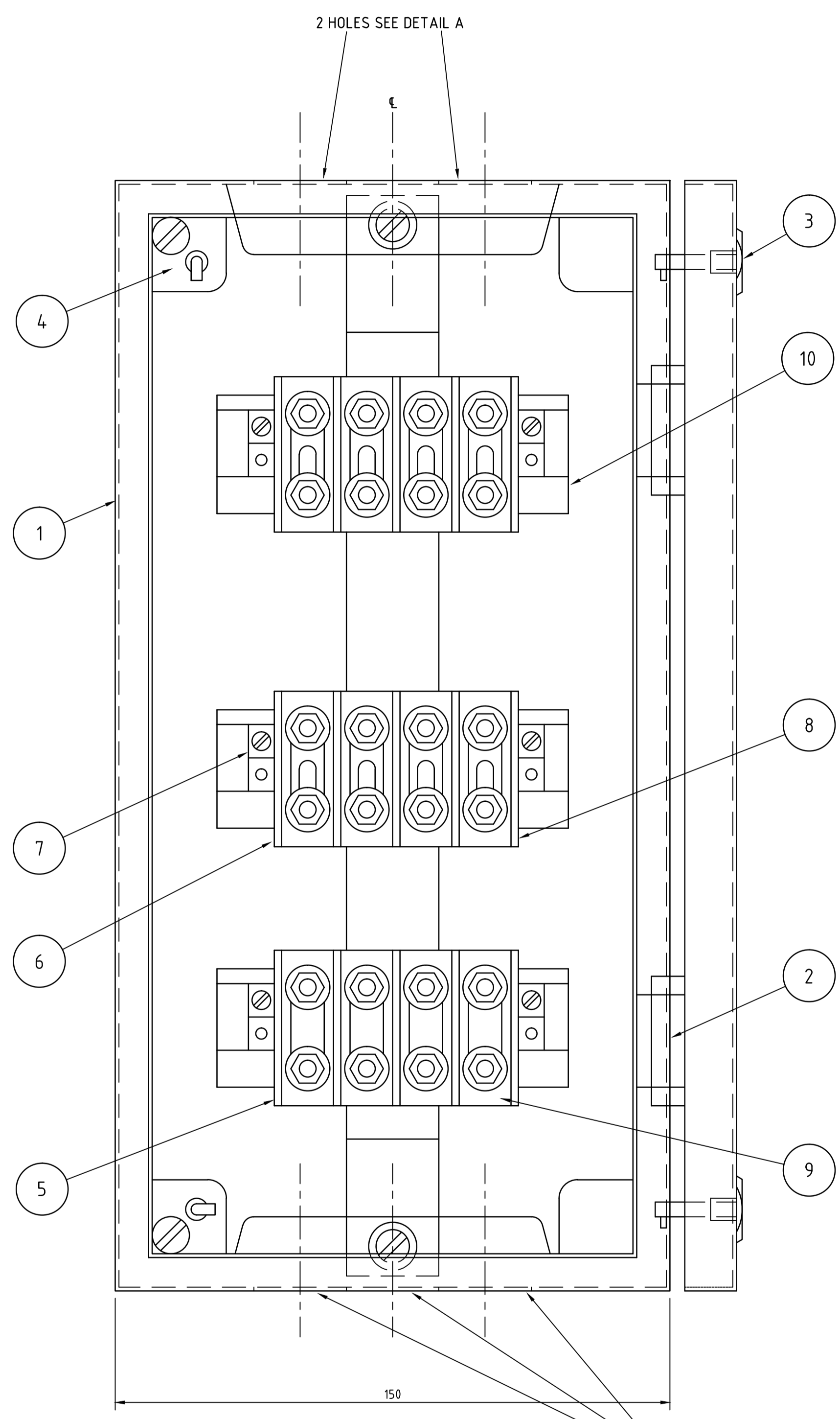
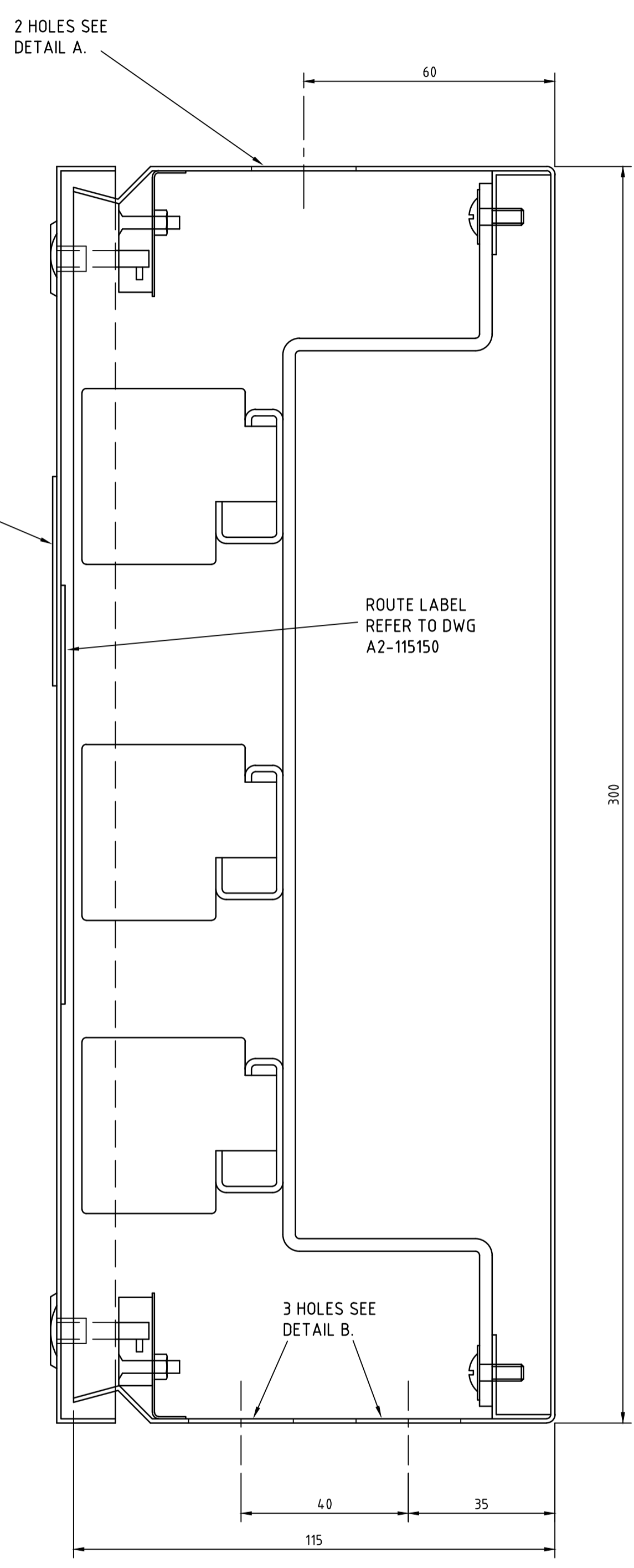


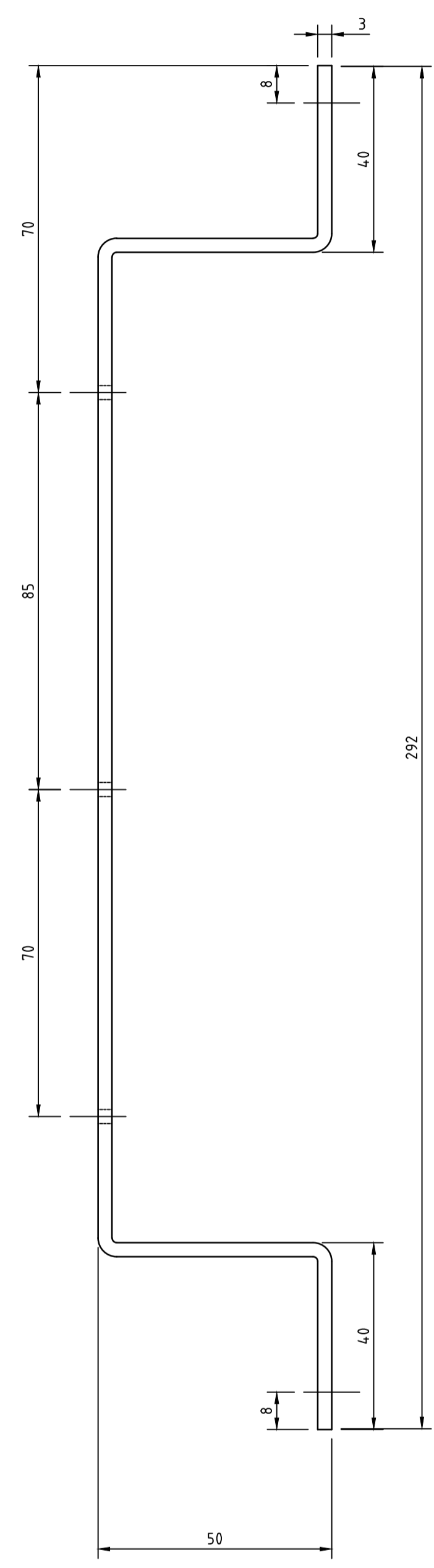
REFERENCE DRAWINGS.	
CITY DISTRIBUTION CENTRES PILOT ISOLATING AND INTERCONNECTOR PILOT BOXES LABEL DETAILS.	A2-115150
CITY DISTRIBUTION CENTRES PILOT ISOLATING AND INTERCONNECTOR PILOT BOXES CONNECTION DETAILS.	A1-116004



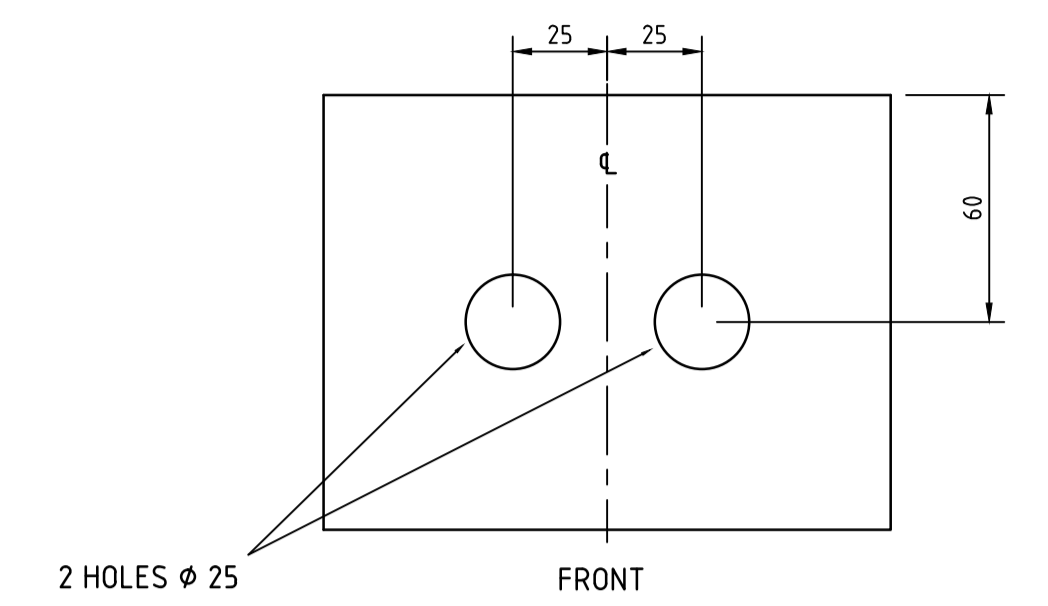
ELEVATION
(LID OPEN)
SCALE 1:1



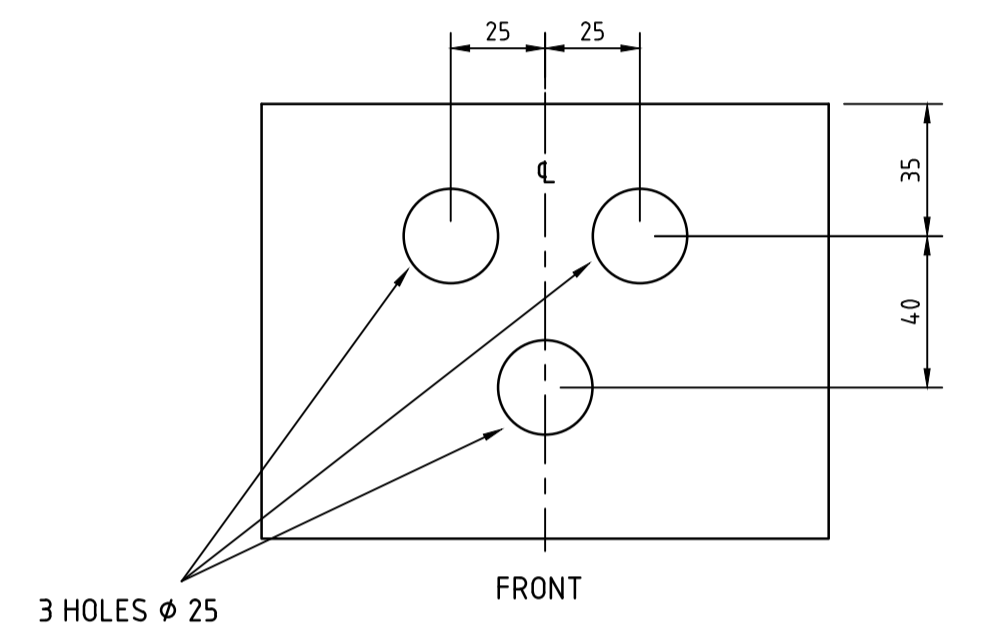
SECTION
(LID CLOSED)
SCALE 1:1



BRACKET
MILD STEEL
SCALE 1:1
(REFER NOTE 1)



DETAIL A
SCALE 1:2



DETAIL B
SCALE 1:2

NOTES

1. BRACKET TO BE FREE OF BURRS, THOROUGHLY CLEANED AND TREATED WITH A PHOSPHORIC ACID TYPE RUST INHIBITOR FOLLOWED BY ONE (1) COAT OF ZINC CHROMATE-RED OXIDE PRIMER FOLLOWED BY TWO (2) COATS OF WHITE ENAMEL PAINT.

6 HOLES FOR POP RIVETS.

2 HOLES Ø 6.5

ITEM	DESCRIPTION	CAT N°	N° REQD
10	MOUNTING RAIL UTILUX - 95mm LONG.	H2233	3
9	TRANSPARENT COVER - UTILUX 66mm LONG	H3822	3
8	END PLATE - UTILUX	H3821	3
7	END CLAMP - UTILUX	H2232	6
6	TERMINALS - UTILUX	H3869	8
5	TERMINALS - UTILUX	H3820	4
4	LOCK PLATE - RITTAL.		2
3	COVERSCREWS - RITTAL	KL1593	2
2	HINGES - RITTAL	KL1592	2
1	ENCLOSURE - RITTAL	KL1501	1

LEGEND

CAD DRAWING
DO NOT MANUALLY AMEND
AMENDMENTS
6. NEW DRAWING MADE
BEE:DJT
NOTE 1 DELETED.
NOTE 2 RENUMBERED.
REF. ADJ. ADDED.
PK 23777
DRB 20/2/89
CHECKED: ALC

7. FREE GIZ
CLIPPING PARTS REPLACED BY UTILUX
PK 2105
PK 2106
DRB 8/11/88
CHECKED: ASK

8. NEW AUSGRID BORDER & LOGO
ADDED.
18/09/2013
RLA:ALAA
APPROVED T.LAMPARD

NETWORK STANDARD
Ausgrid
DESIGN SERVICES
24 CAMPBELL ST SYDNEY NSW 2000

SCALE	AS SHOWN
DESIGNED	-
DRAWN	AJE
CHECKED	DJO
APPROVED	JH
DATE	6.5.87
PRJTRK No.	-
PROJECT NUMBER	22635

CITY DISTRIBUTION CENTRES
PILOT ISOLATION BOXES AND
INTERCONNECTOR PILOT BOXES
GENERAL ARRANGEMENT

DRAWING No **115065** SHEET - AMD 8 SIZE A1