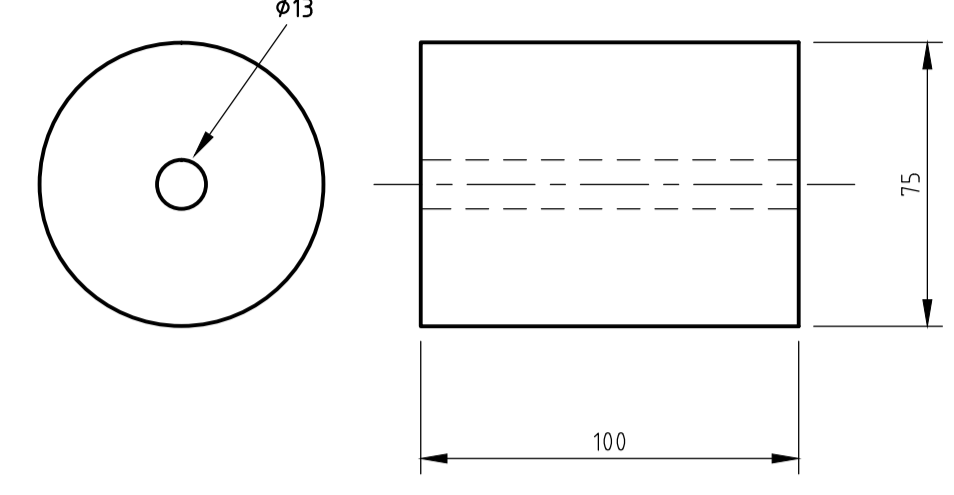
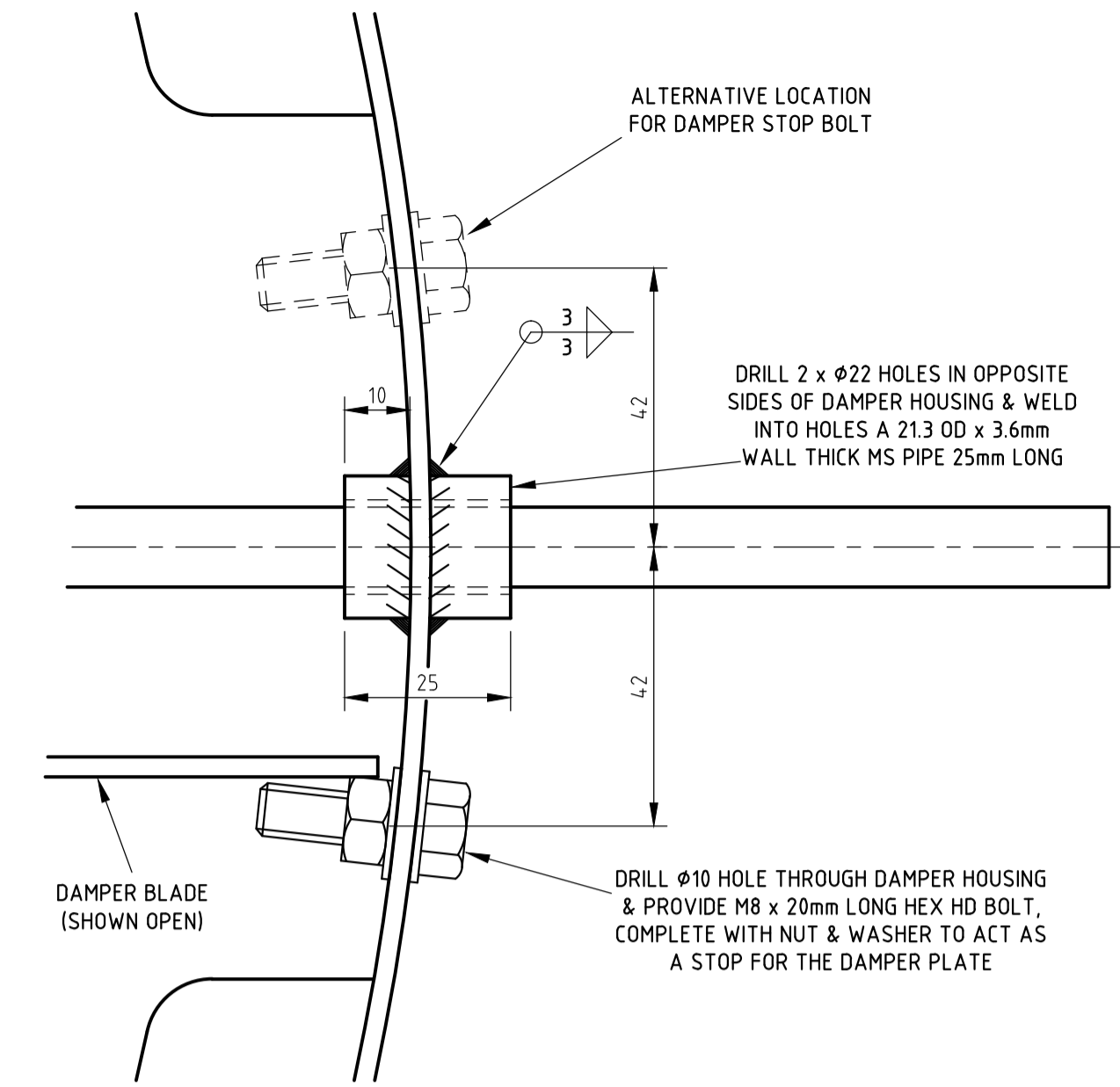


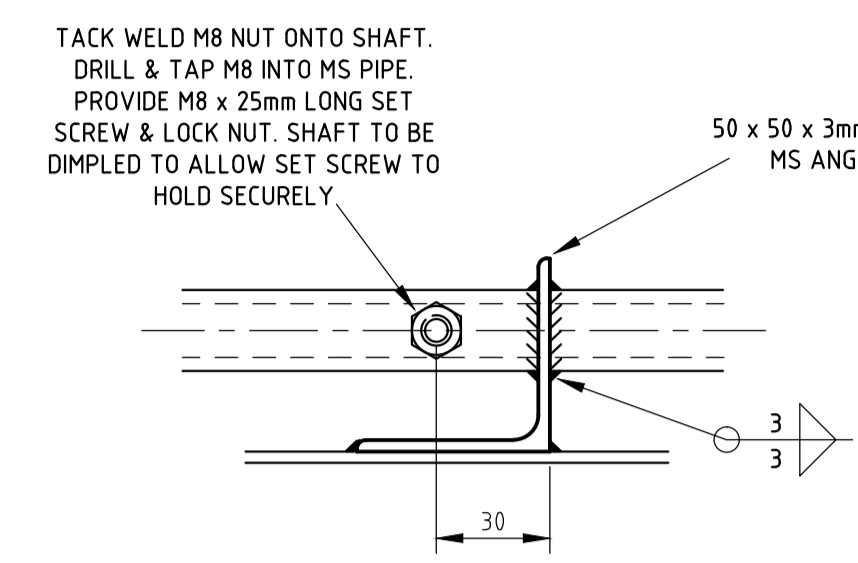
ITEM 8 - FAN DAMPER CRANK ARM
SCALE 1:2



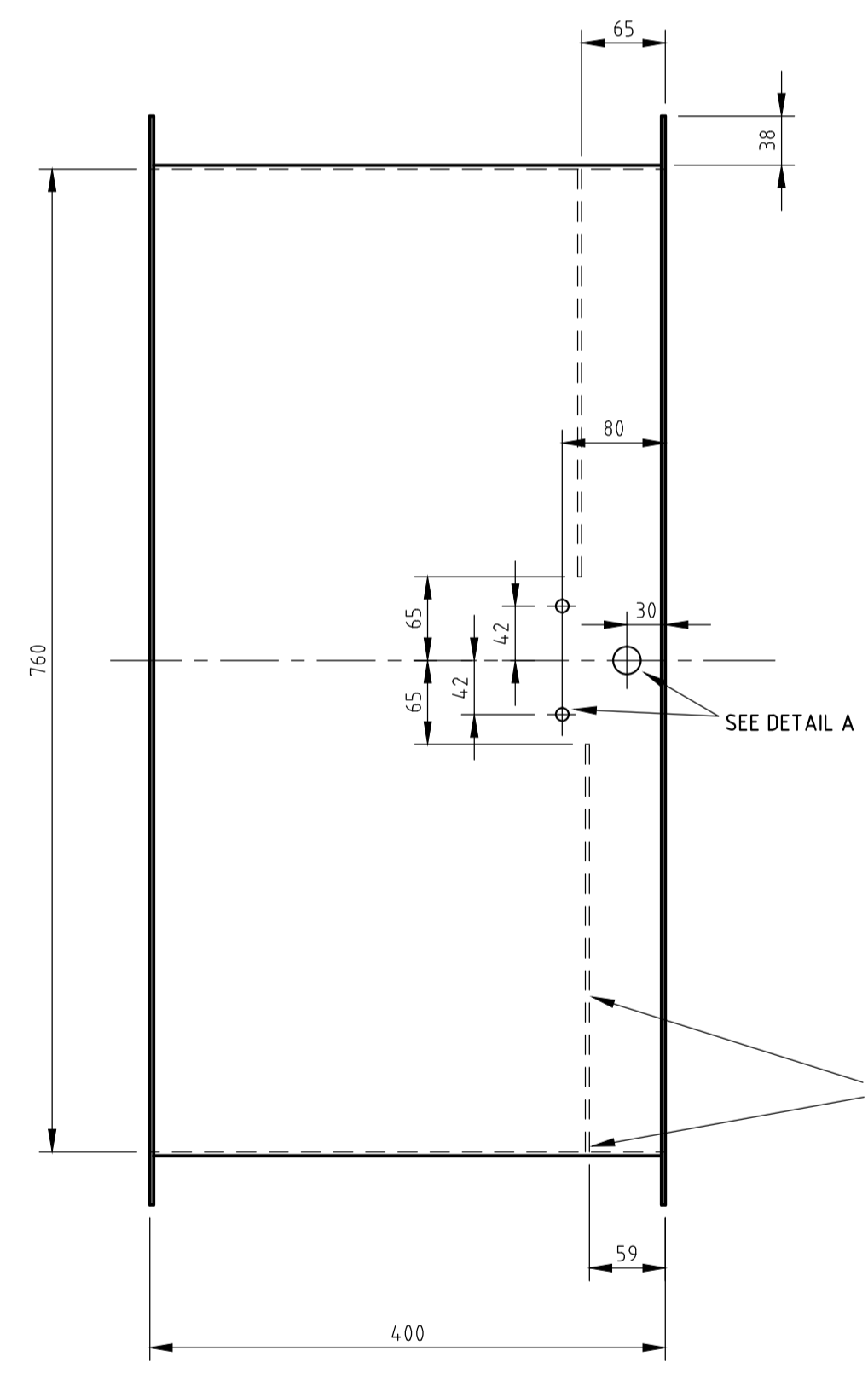
ITEM 10 - FAN DAMPER COUNTER WEIGHT
SCALE 1:2
MATERIAL - 75mm DIAMETER BRIGHT STEEL ROUND BAR APPROX 3kg



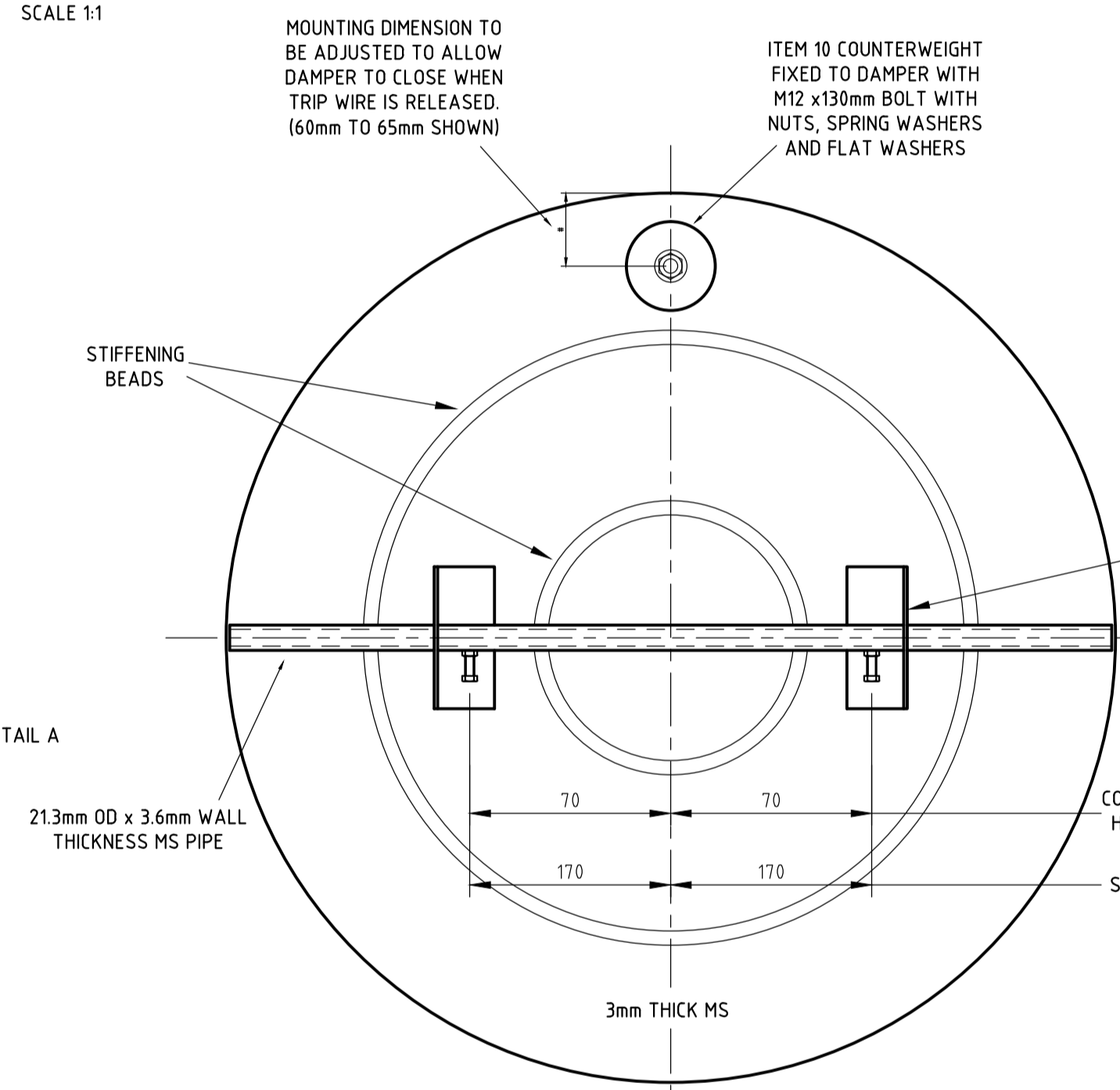
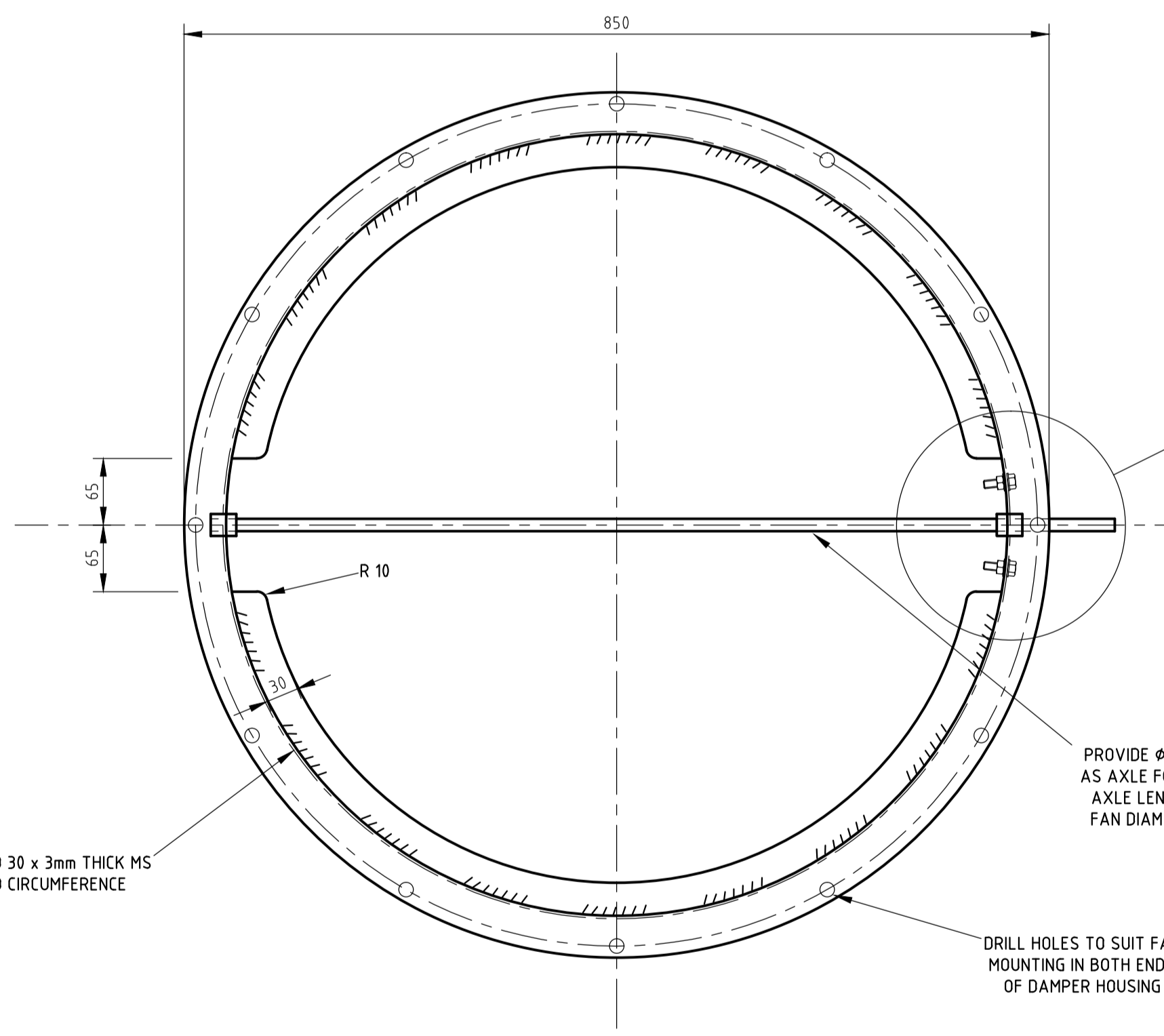
DETAIL A
SCALE 1:1



DETAIL B
SCALE 1:2



ITEM 5 - FAN DAMPER HOUSING
SCALE 1:5
MATERIAL - 3mm THICK MS



ITEM 7 - DAMPER BLADE ASSEMBLY
SCALE 1:5

- NOTES**
1. THIS DRAWING IS TO BE READ IN CONJUNCTION WITH NETWORK STANDARD 113.
 2. MATERIALS AND WORKMANSHIP TO BE IN ACCORDANCE WITH AS 4100.
 3. WELDING TO BE IN ACCORDANCE WITH AS 1554 PART 1.
 4. STEELWORK TO BE THOROUGHLY CLEANED THEN TREATED WITH A PHOSPHORIC ACID TYPE RUST INHIBITOR FOLLOWED BY ONE COAT OF ZINC CHROMATE PRIMER AND TWO COATS OF GRAY ENAMEL.
 5. NUTS, BOLTS 7 WASHERS ARE TO BE HOT DIP GALVANISED TO AS 1214.

REFERENCE DRAWINGS
DISTRIBUTION SUBSTATIONS
CBD BASEMENT SUBSTATION EXHAUST FAN ASSEMBLY - 117632

CAD DRAWING
DO NOT MANUALLY AMEND
AMENDMENTS
5. NEW DRAWING MADE.
DRAWING RE-TITLED AND
ALTERED TO ALIGN WITH
NETWORK STANDARDS.
ITEM 6 DELETED.
COUNTER WEIGHT REMOVED
FROM ITEM 8 & SHAFT REVISED
ITEM 10 ADDED.
P.JARVIS 22.9.17
CHECKED: P.TURRIN
APPROVED: D.GREY

CONSTRUCTION

NETWORK STANDARD
Ausgrid
ASSET ENGINEERING, POLICY AND STANDARDS
TRANSMISSION & DISTRIBUTION SUBSTATION ENGINEERING
570 GEORGE STREET, SYDNEY

SCALE
DESIGNED
DRAWN
CHECKED
APPROVED
DATE
PROJECT NUMBER
PROJ TRAK NUMBER

AS SHOWN
SIGNED ON ORIGINAL

DISTRIBUTION SUBSTATIONS
CBD BASEMENT SUBSTATIONS
EXHAUST FAN DAMPER DETAILS

SIZE A1 DRAWING No 117633 SHEET 1 AMO 5