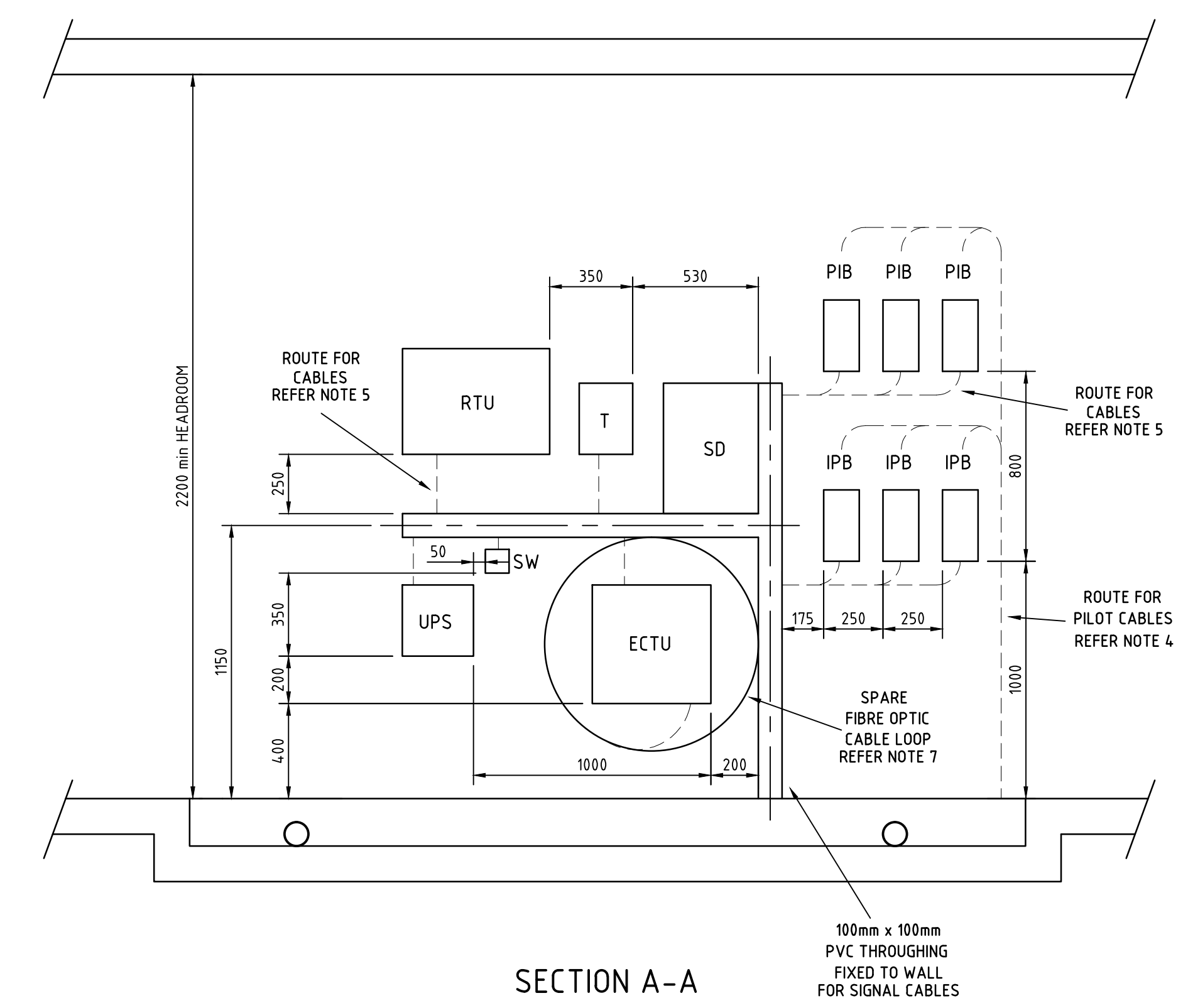
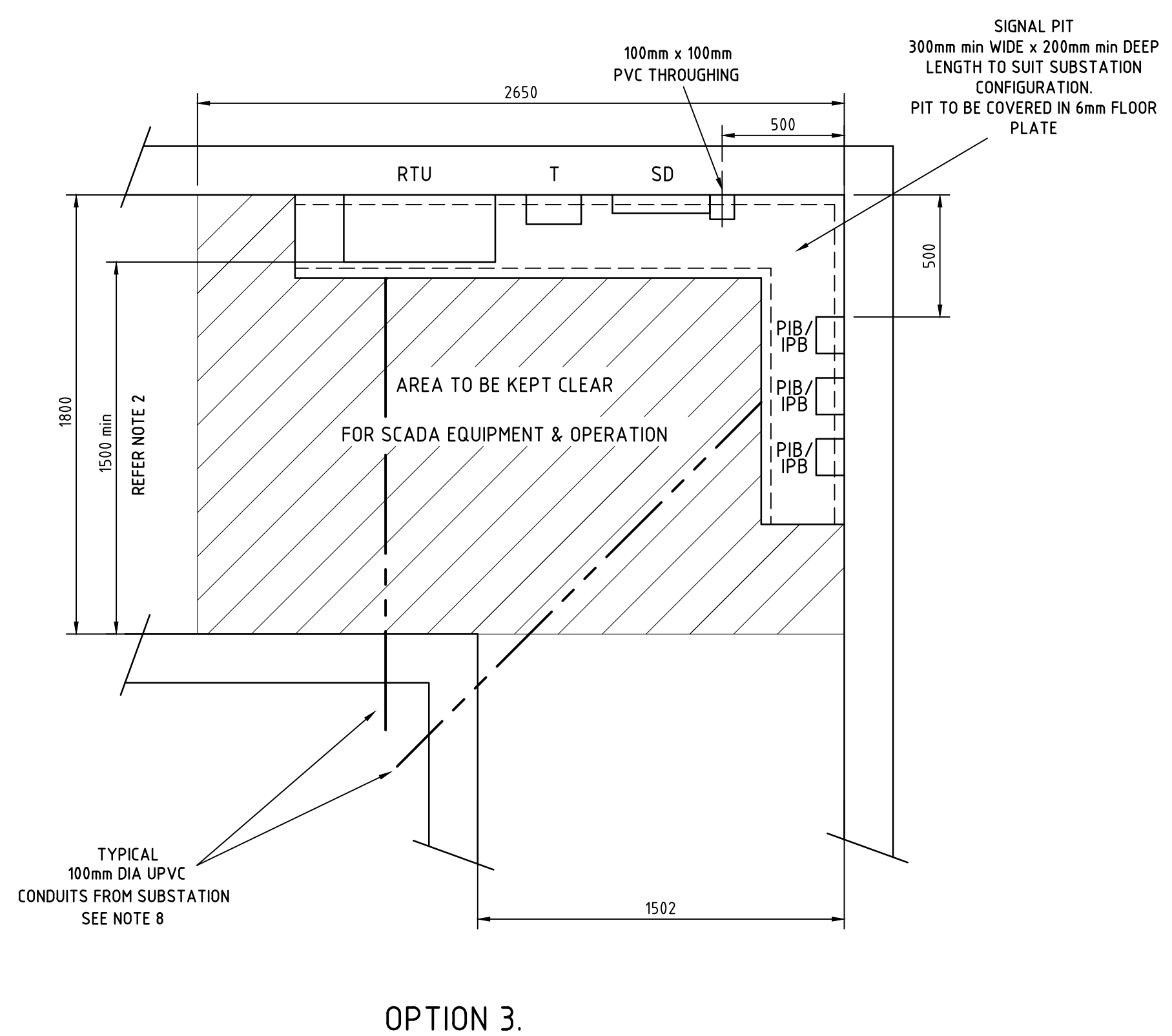


LEGEND

ECTU	FIBRE OPTIC CABLE SPLICING UNIT
PIB	PILOT ISOLATION BOX
IPB	INTERCONNECTOR PILOT BOX
RTU	C50 RTU
SD	SIGNAL DISCONNECTION BOX
SW	ISOLATING SWITCH
T	TELEPHONE
UPS	UNINTERRUPTABLE POWER SUPPLY



- NOTES**
- THIS DRAWING SHOWS SCADA EQUIPMENT LOCATION ONLY. FOR CABLING CONNECTIONS REFER TO DRAWINGS LISTED REFERENCE DRAWING TABLE.
 - SCADA EQUIPMENT IS TO BE MOUNTED IN THE LOWER LEVEL OF THE PERSONNEL ACCESS CHAMBER AS PER THE CONFIGURATIONS SHOWN. THE LOCATION OF THE SCADA AREA WITHIN THE ACCESS CHAMBER IS TO SUIT THE SUBSTATION CONFIGURATION.
 - IT IS PREFERABLE NOT TO CONFIGURE SUBSTATION ACCESS CHAMBERS SO AS TO ALLOW THE PASSAGE OF SMALL EQUIPMENT PAST SCADA EQUIPMENT. HOWEVER IF THIS IS UNAVOIDABLE, THE 1500mm CLEARANCE IN FRONT OF EQUIPMENT MUST BE INCREASED.
 - PILOT CABLES ARE TO BE FIXED DIRECTLY TO WALL WITH SUITABLE CABLE CLEATS.
 - SIGNAL CABLES ARE TO BE RUN TO VARIOUS SCADA BOXES VIA PVC TROUGHING AND FLEXIBLE CONDUIT.
 - LADDERS AND DOORS SWINGS MUST NOT ENCR OACH IN THE AREA DESIGNATED TO BE KEPT CLEAR.
 - THE SPARE FIBRE OPTIC CABLE IS TO BE COLLECTED IN A LOOP WHICH IS TO BE MOUNTED ON THE WALL AROUND THE ECTU BOX.
 - WALLS ARE NOT TO BE DRILLED FOR CABLE ACCESS INTO SUBSTATION CHAMBER. CABLES ARE TO BE RUN IN CONDUITS PROVIDED.
 - FLOOR PLATE IS TO BE CUT ON SITE TO ALLOW THE PASSAGE OF CABLES.

REFERENCE DRAWINGS

CITY BASEMENT SUBSTATIONS CABLING DIAGRAM	B1-116147
CITY CONTROL POINT & UPPER LEVEL SUBSTATIONS CABLING DIAGRAM	B1-116148
PILOT ISOLATING BOXES & INTERCONNECTOR PILOT BOXES GENERAL ARRANGEMENT	A2-115065

CAD DRAWING
DO NOT MANUALLY AMEND
AMENDMENTS
1. EQUIPMENT ARRANGEMENT & TROUGHING POSITION ALTERED. MOUNTING OPTIONS ADDED. NOTES ALTERED.
PN 103/05/11/2
DRAWN JH 30/3/06
CHECKED PWJ
APPROVED PWJ
2. NEW AUSGRID BORDER & LOGO ADDED.
ZL-09-203
RLAALAA
TLNPFARD
APPROVED

NETWORK STANDARD	SCALE	1:20
Ausgrid	DESIGNED	-
DESIGN SERVICES	DRAWN	PWJ
24 CAMPBELL ST SYDNEY NSW 2000	CHECKED	MP
	APPROVED	BJL
	DATE	6/3/95
	PRJTRK No.	-
	PROJECT NUMBER	500617

**CITY DISTRIBUTION CENTRES
TYPICAL LAYOUT OF SCADA INSTALLATION
IN ACCESS CHAMBERS**

DRAWING No	121156	SHEET	0	AMD	2	SIZE	B1
------------	--------	-------	---	-----	---	------	----