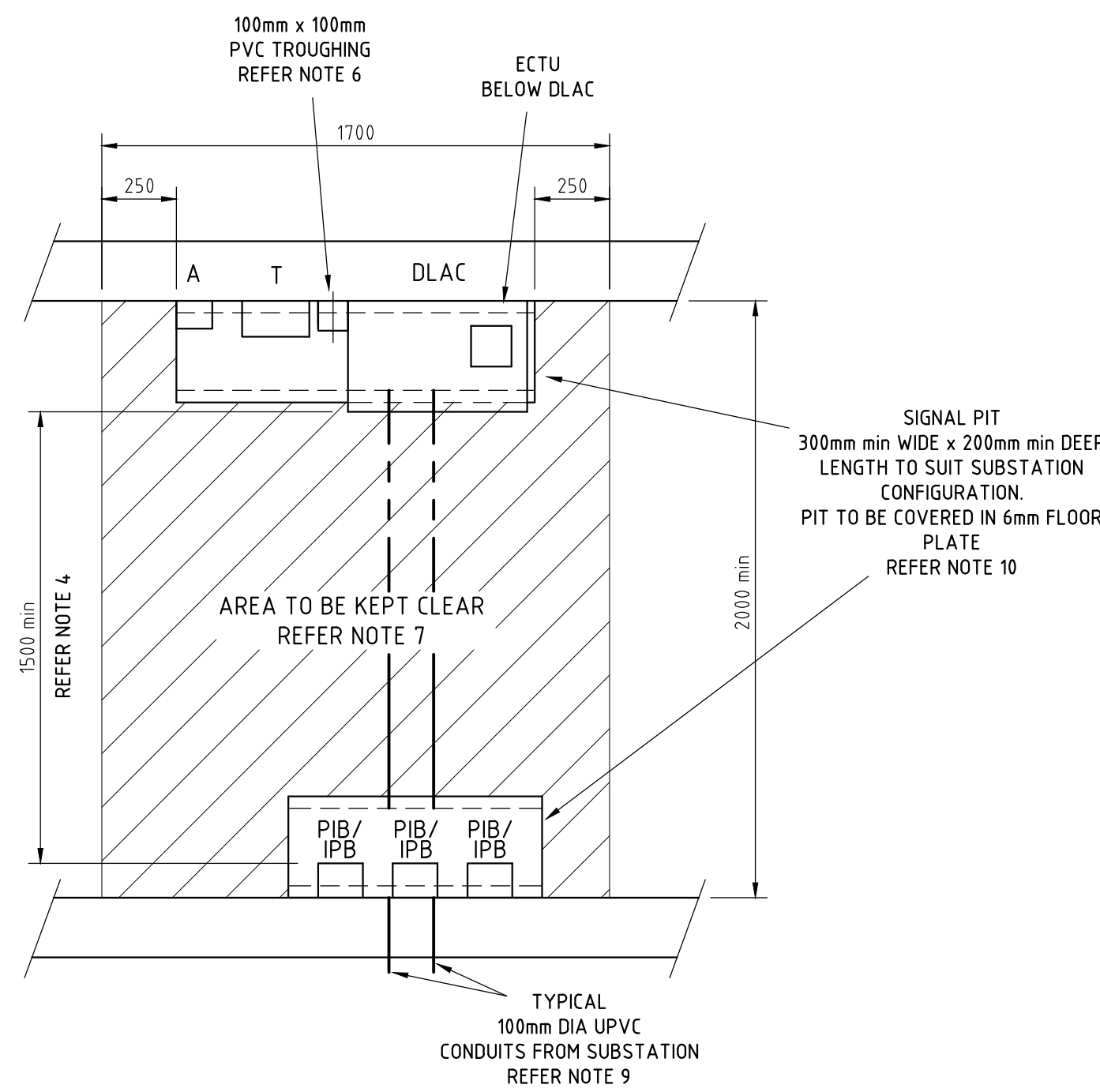
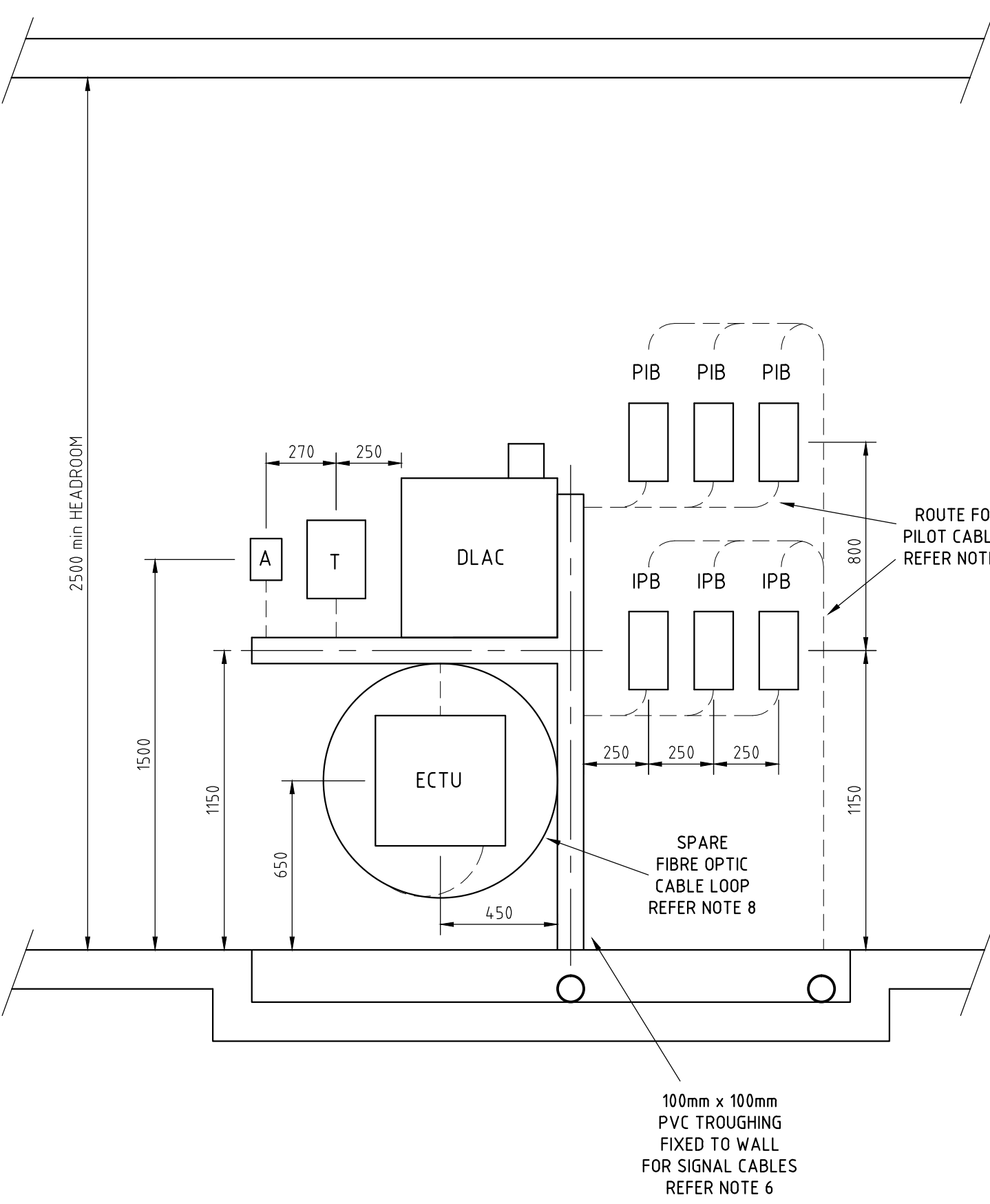


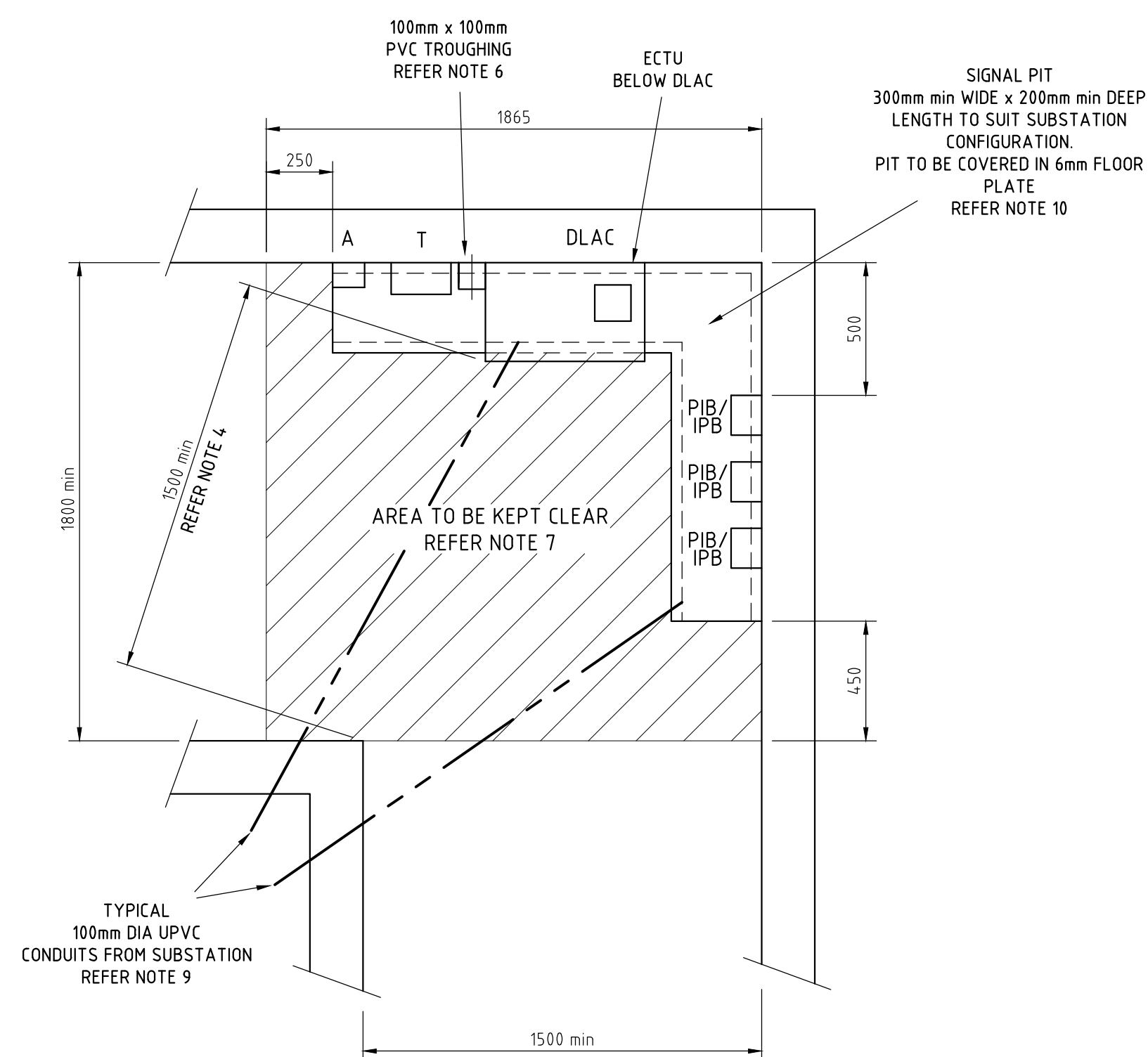
OPTION 1



OPTION 2



SECTION A-A



OPTION 3

LEGEND	
ECTU	FIBRE OPTIC CABLE SPLICING UNIT
PIB	PILOT ISOLATION BOX
IPB	INTERCONNECTOR PILOT BOX
DLAC	DISTRIBUTION LOCAL AUTOMATION CONTROL PANEL
A	A BATTERY TEST BOX
T	TELEPHONE

NOTES

- THIS DRAWING IS TO BE READ IN CONJUNCTION WITH NETWORK STANDARD 114.
- THIS DRAWING SHOWS PREFERRED EQUIPMENT LOCATIONS ONLY. FOR CABLING CONNECTIONS REFER TO THE DRAWINGS LISTED IN THE REFERENCE DRAWING TABLE.
- EQUIPMENT IS TO BE MOUNTED IN THE LOWER LEVEL OF THE PERSONNEL ACCESS CHAMBER AS PER THE CONFIGURATIONS SHOWN. THE LOCATION OF THE EQUIPMENT AREA WITHIN THE ACCESS CHAMBER IS TO SUIT THE SUBSTATION CONFIGURATION.
- IT IS PREFERABLE NOT TO CONFIGURE SUBSTATION ACCESS CHAMBERS SO AS TO ALLOW THE PASSAGE OF SMALL EQUIPMENT PAST THIS EQUIPMENT. HOWEVER IF THIS IS UNAVOIDABLE, THE 1500mm CLEARANCE IN FRONT OF EQUIPMENT MUST BE INCREASED.
- PILOT CABLES ARE TO BE FIXED DIRECTLY TO WALLS WITH SUITABLE CABLE CLEATS.
- SIGNAL CABLES ARE TO BE RUN TO EQUIPMENT BOXES VIA PVC TROUGHING AND FLEXIBLE CONDUIT.
- LADDERS AND DOORS SWINGS MUST NOT ENCRUCH INTO THE AREA DESIGNATED TO BE KEPT CLEAR.
- THE SPARE FIBRE OPTIC CABLE IS TO BE COLLECTED IN A LOOP WHICH IS TO BE MOUNTED ON THE WALL AROUND THE ECTU BOX.
- WALLS ARE NOT TO BE DRILLED FOR CABLE ACCESS INTO THE SUBSTATION CHAMBER. CABLES ARE TO BE RUN IN THE CONDUITS PROVIDED WITHIN THE FLOOR.
- FLOOR PLATE IS TO BE CUT ON SITE TO ALLOW THE PASSAGE OF CABLES.

REFERENCE DRAWINGS	
CITY DISTRIBUTION SUBSTATIONS WITH E TYPE LV BOARD AND OAFD CABLING DIAGRAM	227286
DISTRIBUTION LOCAL AUTOMATION CONTROL PANEL LAYOUT AND LABELS	227388
BATTERY TEST BOX	22212
PILOT ISOLATING BOXES & INTERCONNECTOR PILOT BOXES GENERAL ARRANGEMENT	115065

CAD DRAWING
DO NOT MANUALLY REWIND
A MEMORANDUM
1. EQUIPMENT ARRANGEMENT & TROUGHING POSITION ALTERED. WORKING CONNECTIONS ADDED.
DRAWN: P. JARVIS
PN: 10/27/07/12
IH: 30.3.06
CHECKED: PWJ
APPROVED: PWJ
2. NEW AUSGRID BORDER AND TITLE ADDED.
DRAWN: P. JARVIS
PN: 24.9.13
EL: JAA
APPROVED: T. LAYHARD
3. DRAWING UPDATED TO SHOW OAFD REQUIREMENTS. DRAWING TITLE WAS SCADA INSTALLATION.
DRAWN: P. JARVIS
PN: 30.3.17
CHECKED: P. TURRIN
APPROVED: D. GRCEV

CONSTRUCTION



SCALE	1:20
DESIGNED	P. JARVIS
DRAWN	M. PEACOCK
CHECKED	B. LAWTON
APPROVED	6/3/95
DATE	
PROJECT NUMBER	500617
PROJTRAK NUMBER	

CITY DISTRIBUTION SUBSTATIONS WITH OPTICAL ARC FLASH DETECTION PREFERRED LAYOUT OF PILOT, DLAC AND FIBRE EQUIPMENT IN ACCESS CHAMBERS			
SIZE	DRAWING No	SHEET	AMD
A1	121156	1	3