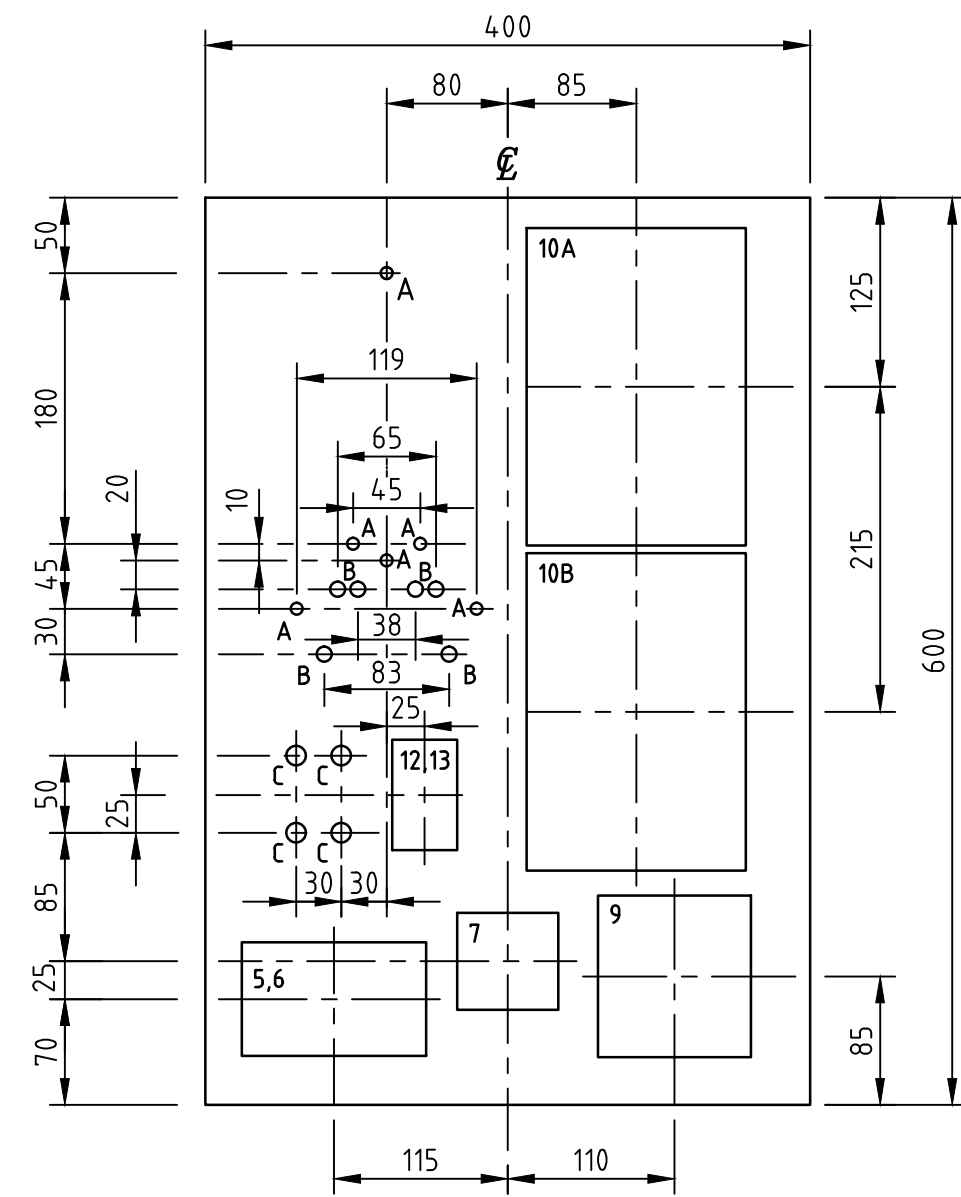
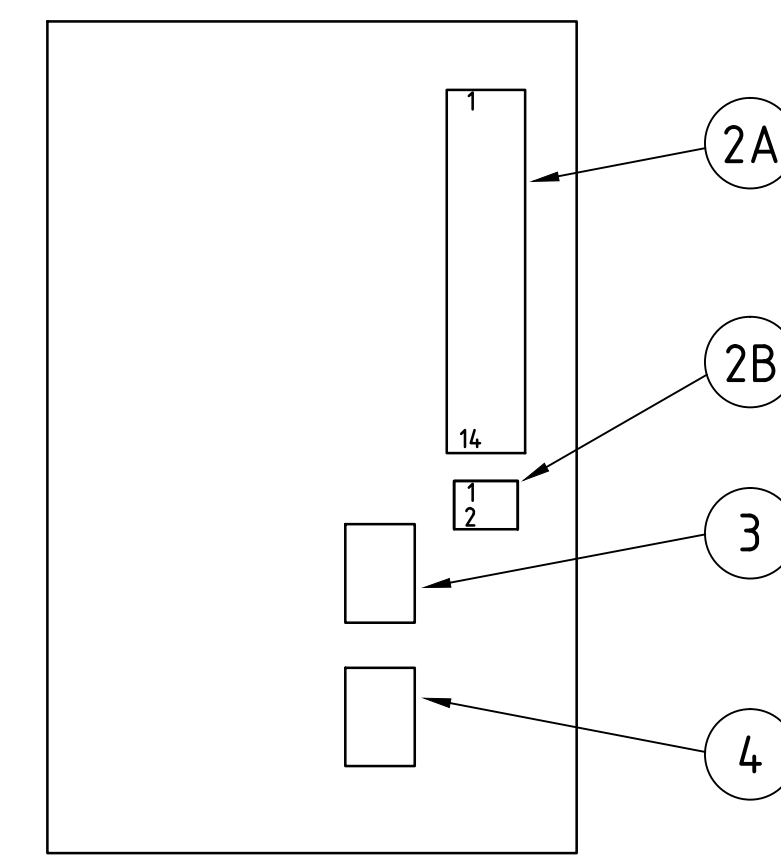


GENERAL ARRANGEMENT
(SCALE 1:5)

DOOR (FRONT VIEW)

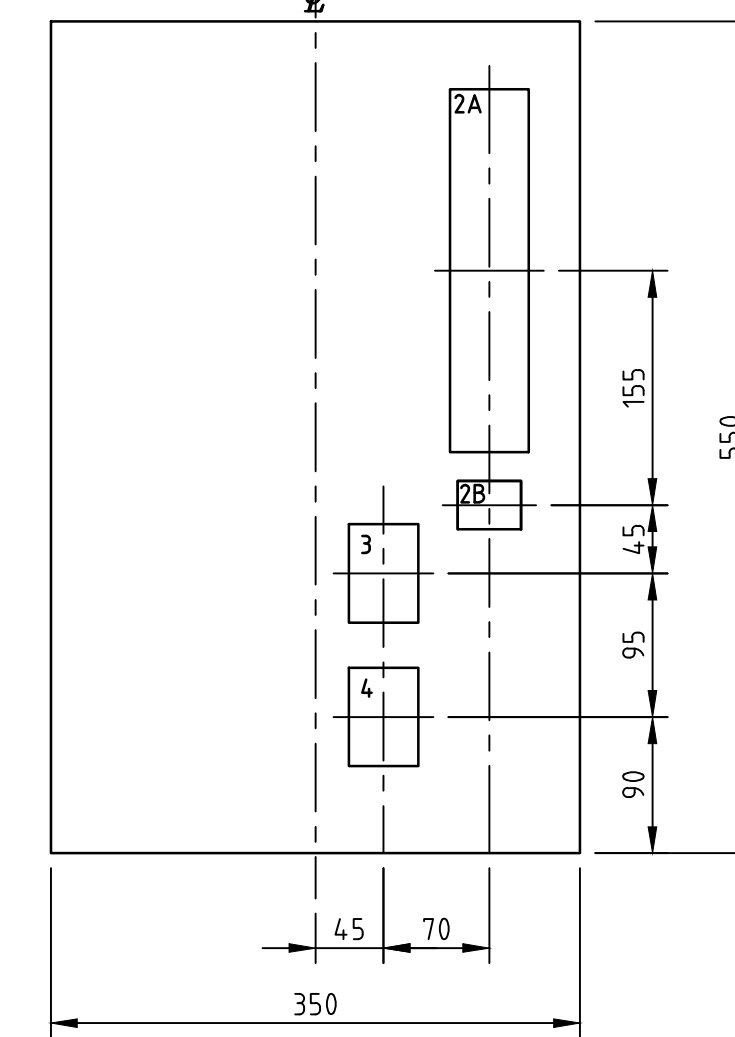


DRILLING DETAILS
(SCALE 1:5)
(SEE NOTES 4 & 5)

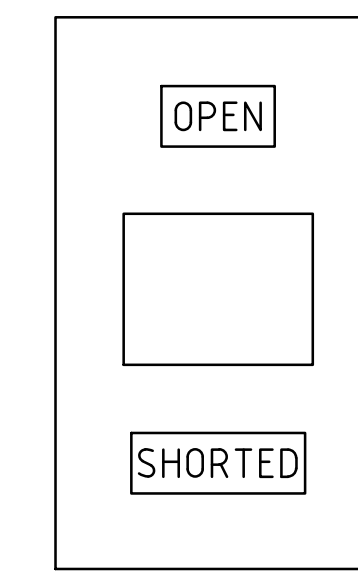


GENERAL ARRANGEMENT
(SCALE 1:5)

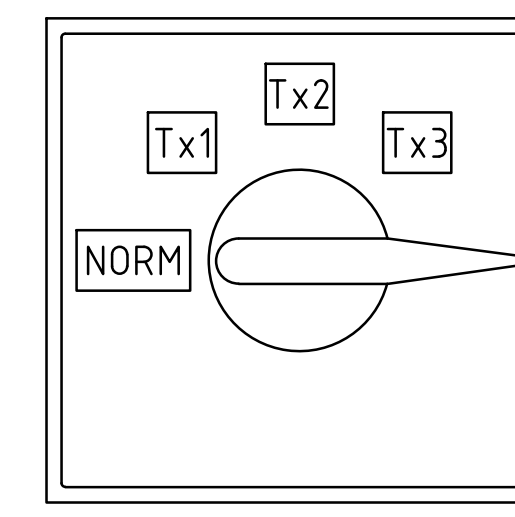
INTERIOR PANEL (FRONT VIEW)



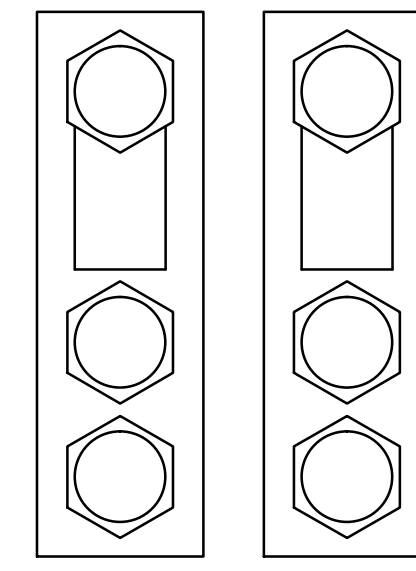
DRILLING DETAILS
(SCALE 1:5)
(SEE NOTE 4)



DETAIL 1
MDI SHORTING SWITCH
REFER NOTE 10
SCALE 1:1



DETAIL 2
CHANGEOVER SWITCH
REFER NOTE 10
SCALE 1:1



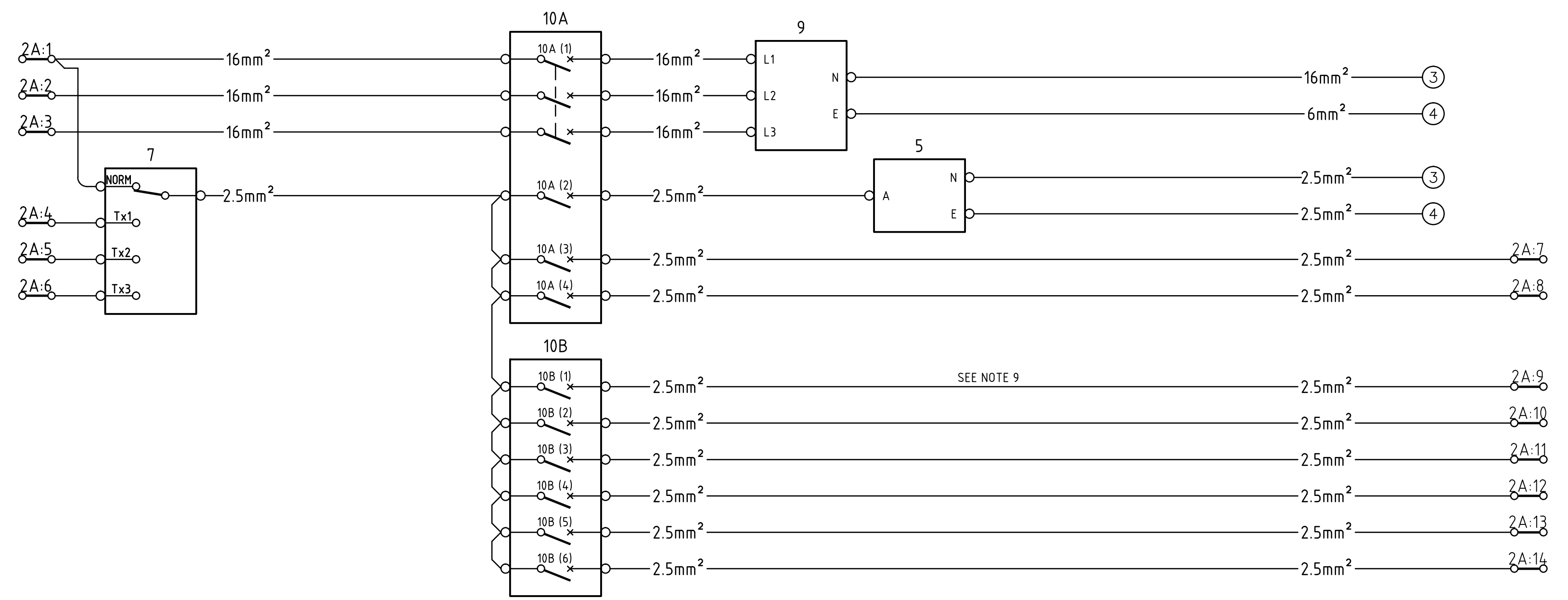
DETAIL 3
MDI TEST LINKS
REFER NOTE 10
SCALE 1:1

NOTES

- THIS SERVICE BOARD IS DESIGNED FOR SUBURBAN SUBSTATIONS WITH 1500kVA TRANSFORMERS.
- ALL MATERIALS SHOWN CAN BE SUBSTITUTED AS LONG AS THE SUBSTITUTE COMPONENT PROVIDES SIMILAR OR BETTER PERFORMANCE THAN THE ONE SHOWN. DETAILS PROVING THE PERFORMANCE OF OTHER PRODUCTS MUST BE SUBMITTED FOR ACCEPTANCE, IN ACCORDANCE WITH THE REQUIREMENTS OF NETWORK STANDARD NS181, BEFORE USE.
- THIS DRAWING IS TO BE READ IN CONJUNCTION WITH RELEVANT NETWORK STANDARDS.
- DRILLING DETAILS FOR THE M.D.I. UNIT AND MOULDED LINKS ONLY ARE SHOWN. FOR ALL OTHER COMPONENTS REFER TO THE MANUFACTURE FOR DETAILS.
- DRILLING DETAILS, DIAMETER OF HOLES.
A - 8mm
B - 10mm
C - 13mm
D - 12.5mm
- COMPRESSION TYPE CABLE LUGS ARE TO BE USED FOR CABLE TERMINATIONS ONTO ITEMS 2A, 2B AND 11.
- THE EARTH AND NEUTRAL LINK CONNECTIONS DESIGNATED BY ③ & ④ MUST BE INDIVIDUALLY CONNECTED AS SEPARATE CABLES TO THEIR RESPECTIVE LINK.
- ITEM 10A IS ALWAYS REQUIRED BUT 10B IS ONLY REQUIRED IF ANY OF THE FOLLOWING ARE PRESENT:
- AN ADDITIONAL LIGHTING CIRCUIT IS NEEDED
- DRY TYPE TRANSFORMERS ARE INSTALLED
- IF A CONTROL POINT IS PRESENT
- CABLE TO BE OF ADEQUATE SIZE TO PREVENT VOLTAGE DROP, REFER TO AS 3000 FOR CABLE SIZE.
- DETAILS 1, 2 & 3 SHOW WORDING AND POSITION OF SELF ADHESIVE LABELS. LABELS ARE TO BE BLACK LETTERING ON WHITE BACKGROUND.
- NUMBERS SHOWN [] ARE CABLE NUMBERS REFER TO DWG A0-178231.

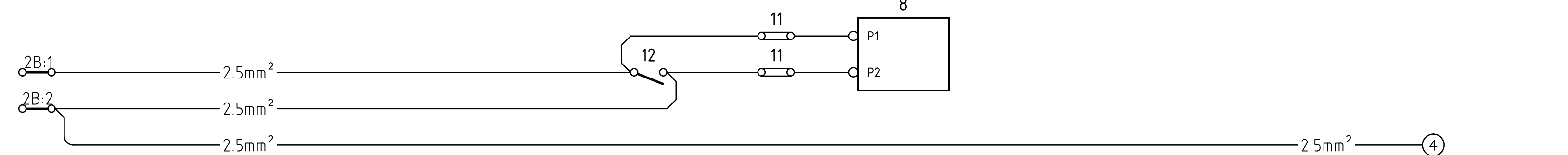
TERMINALS (2A)	4 STEP SWITCH (7)	CABLE SIZE	SWITCHBOARD (10)	CABLE SIZE	37 5 PIN SOCKET (9)	DOUBLE GPO (5)	CABLE SIZE	NEUTRAL LINK (3) EARTH LINK (4)	TERMINALS (2A)
----------------	-------------------	------------	------------------	------------	---------------------	----------------	------------	------------------------------------	----------------

(SEE NOTE 7)

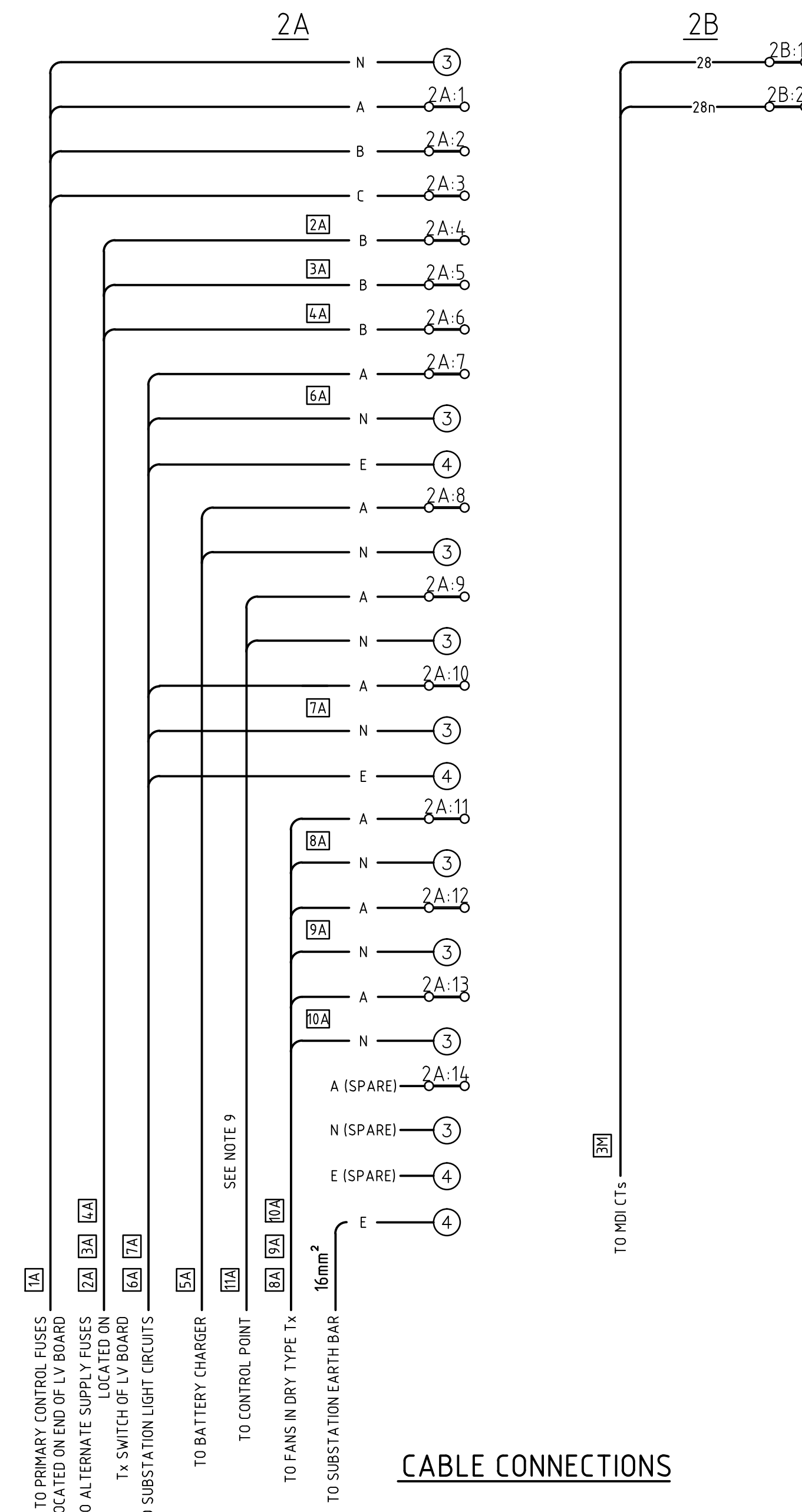


TERMINALS (2B)	CABLE SIZE	10A SWITCH (12)	M6 LINK (11)	M.D.I. UNIT (8)	CABLE SIZE	EARTH LINK (4)
----------------	------------	-----------------	--------------	-----------------	------------	----------------

(SEE NOTE 7)



WIRING DIAGRAM



CABLE CONNECTIONS

ITEM No	DESCRIPTION	REMARKS	No. OFF
13	MOUNTING BLOCK	HPM TYPE 141	1
12	10A SINGLE POLE SWITCH	HPM TYPE A770/1	1
11	M6 MOULDED LINK	LOGISTICS SERVICES STOCK CODE 78493	2
10B (6)	20A 10 8kA MINIATURE C/B (Tx3 FAN)	CLIPSAL TYPE 4CB120	1
10B (5)	20A 10 8kA MINIATURE C/B (Tx2 FAN)	CLIPSAL TYPE 4CB120	1
10B (4)	20A 10 8kA MINIATURE C/B (Tx1 FAN)	CLIPSAL TYPE 4CB120	1
10B (3)	20A 10 8kA MINIATURE C/B (SPARE)	CLIPSAL TYPE 4CB120	1
10B (2)	16A 10 8kA MINIATURE C/B (SPARE LIGHTS)	CLIPSAL TYPE 4CB116	1
10B (1)	20A 10 8kA MINIATURE C/B (CONTROL POINT)	CLIPSAL TYPE 4CB120	1
10B	6 MODULE SWITCHBOARD (REFER NOTE 8)	CLIPSAL TYPE 4C6FD	1
10A (4)	20A 10 8kA MINIATURE C/B (BATTERY CHARGER)	CLIPSAL TYPE 4CB120	1
10A (3)	16A 10 8kA MINIATURE C/B (LIGHTS)	CLIPSAL TYPE 4CB116	1
10A (2)	20A 10 8kA MINIATURE C/B (10 POWER)	CLIPSAL TYPE 4CB120	1
10A (1)	50A 30 8kA MINIATURE C/B (30 POWER)	CLIPSAL TYPE 4CB350	1
10A	6 MODULE SWITCHBOARD (REFER NOTE 8)	CLIPSAL TYPE 4C6FD	1
9	50A 3 PHASE, 5 PIN SOCKET	CLIPSAL CAT No. 56S0550	1
8	M.D.I. UNIT	LOGISTICS SERVICES STOCK CODE 169920	1
7B	TERMINAL COVERS	KRAUS & NAIMER TYPE S1 M160/B03	1
7A	ADJUSTABLE SHAFT	KRAUS & NAIMER TYPE S1 M004E/000B070	1
7	4 STEP CHANGEOVER SWITCH	KRAUS & NAIMER TYPE C32 A231 603 E	1
6	MOUNTING BLOCK	HPM TYPE 140	1
5	10A & 15A DOUBLE GPO	HPM TYPE 777/1015	1
4	EARTH LINK	CLIPSAL TYPE L8	1
3	NEUTRAL LINK	CLIPSAL TYPE L12	1
2B	TERMINAL STRIP 2 (2B-1-2)	UTILILUX H3820 30A	2
2A	TERMINAL STRIP 1 (2A-1-14)	KLIIPPON ST5 85A	14
1	WALL MOUNTED BOX	EMPCO W6425	1

MATERIAL LIST (SEE NOTE 2)



SCALE	AS SHOWN
DESIGNED	-
DRAWN	M.W.R
CHECKED	A.J.E
APPROVED	B.J.L
DATE	24/10/1995
PRJ/TRK No.	-
PROJECT NUMBER	5004639

SUBURBAN TYPE SUBSTATIONS WITH 1500kVA TRANSFORMERS SERVICE BOARD GENERAL ARRANGEMENT AND WIRING DIAGRAM				
DRAWING No	121949	SHEET	-	AMD 5
SIZE	B1			