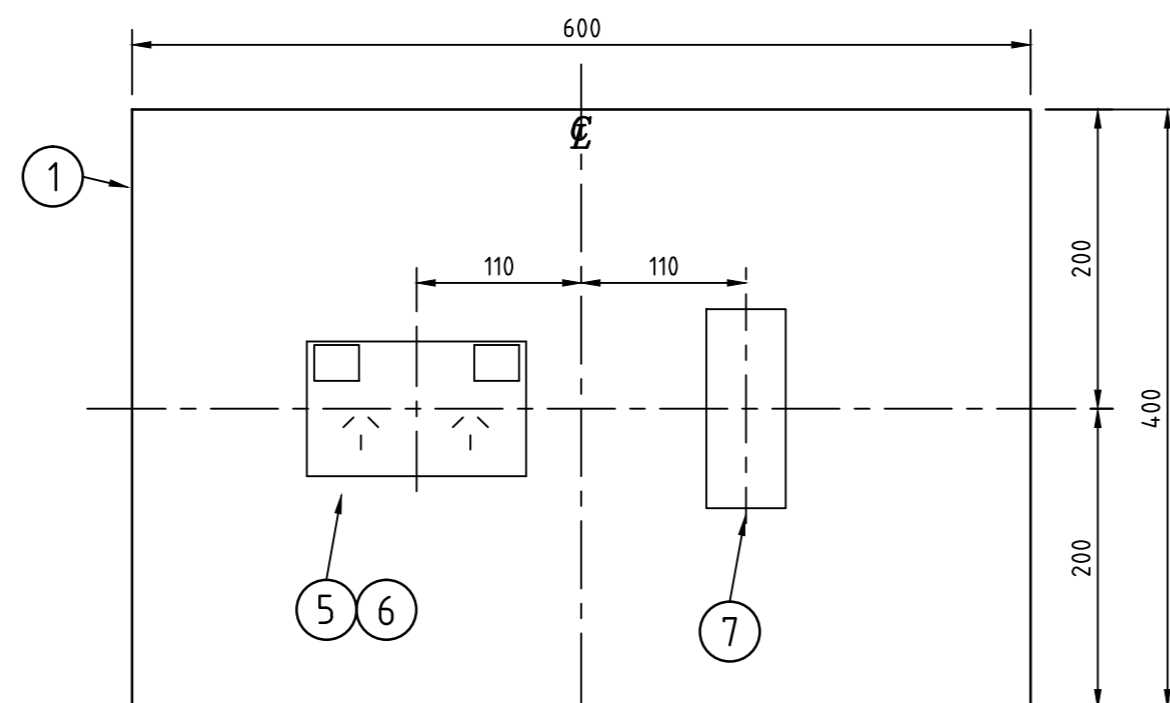


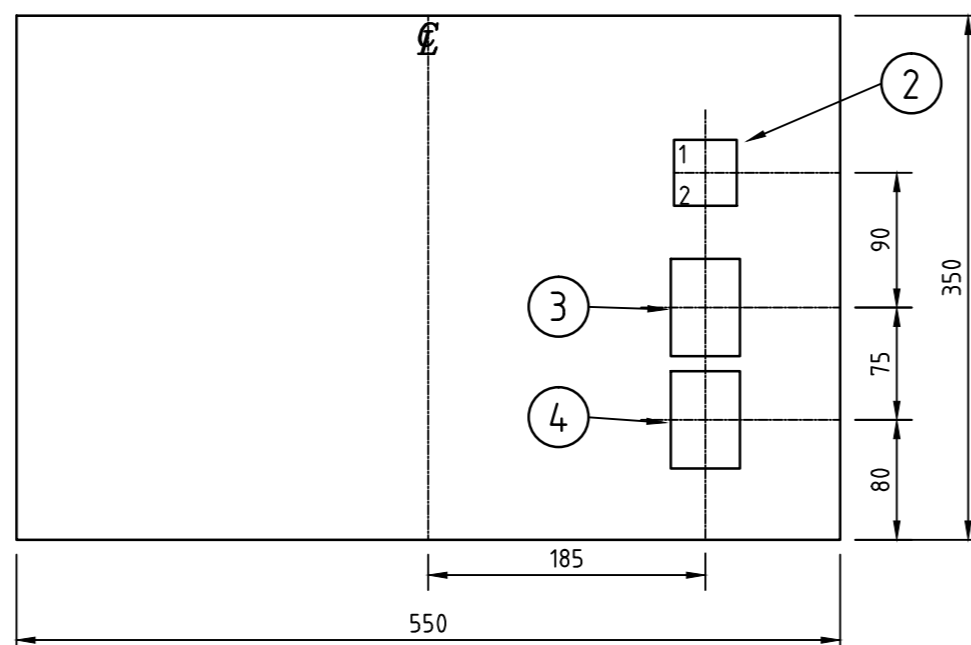
**DOOR (FRONT VIEW)**  
GENERAL ARRANGEMENT

SCALE 1:5  
SEE NOTE 4 & 5



**INTERIOR PANEL (FRONT VIEW)**  
GENERAL ARRANGEMENT

SCALE 1:5  
SEE NOTE 4 & 5



ITEM No	DESCRIPTION	REMARKS	No. OFF
7(2)	16A 1Ø 8kA MINIATURE C/B (LIGHTS/FAN)	CLIPSAL TYPE 4CB116	1
7(1)	20A 1Ø 8kA MINIATURE C/B (1Ø POWER)	CLIPSAL TYPE 4CB120	1
7	2 MODULE SWITCHBOARD	CLIPSAL TYPE 4CC2	1
6	MOUNTING BLOCK	HPM TYPE 140	1
5	10A DOUBLE GPO	HPM TYPE 777	1
4	EARTH LINK	CLIPSAL TYPE L5	1
3	NEUTRAL LINK	CLIPSAL TYPE L5	1
2	TERMINAL STRIP (2:1-2)	KLIPPON ST5 85A	2
1	WALL MOUNTED BOX	EMPCO W4625	1

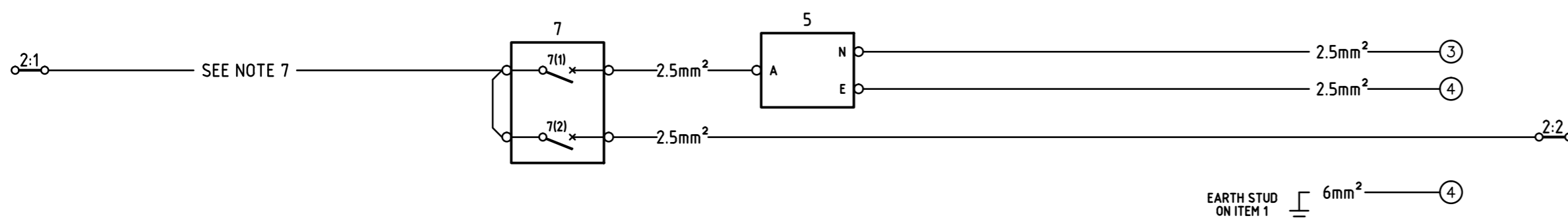
MATERIAL LIST (SEE NOTE 2)

**NOTES**

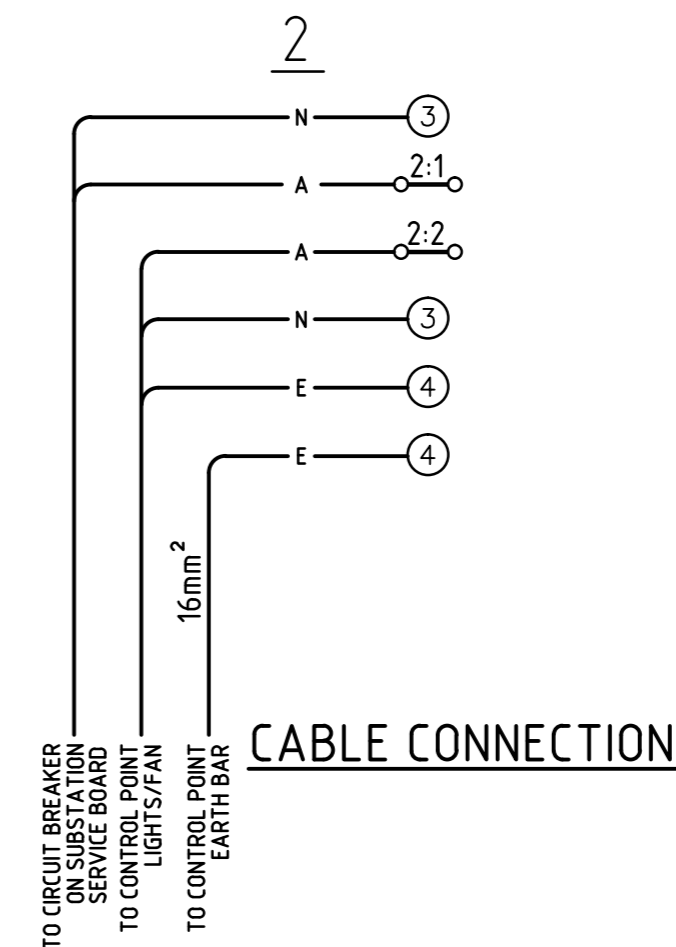
- THIS SERVICE BOARD IS DESIGNED FOR CONTROL POINTS
- ALL MATERIALS SHOWN CAN BE SUBSTITUTED AS LONG AS THE SUBSTITUTE COMPONENT PROVIDES SIMILAR OR BETTER PERFORMANCE THAN THE ONE SHOWN. DETAILS PROVING THE PERFORMANCE OF OTHER PRODUCTS MUST BE SUBMITTED FOR ACCEPTANCE, IN ACCORDANCE WITH THE REQUIREMENTS OF NETWORK STANDARD NS181, BEFORE USE.
- THIS DRAWING IS TO BE READ IN CONJUNCTION WITH RELEVANT NETWORK STANDARDS.
- DRILLING DETAILS FOR ALL COMPONENTS REFER TO THE MANUFACTURE FOR DETAILS.
- COMPRESSION TYPE CABLE LUGS ARE TO BE USED FOR CABLE TERMINATIONS ONTO ITEM 2.
- THE EARTH AND NEUTRAL LINK CONNECTIONS DESIGNATED BY ③ & ④ ARE TO BE INDIVIDUALLY CONNECTED TO THEIR LINK.
- CABLE TO BE OF ADEQUATE SIZE TO PREVENT VOLTAGE DROP, REFER TO AS 3000 FOR CABLE SIZE.

TERMINALS (2)	CABLE SIZE	SWITCHBOARD (7)	CABLE SIZE	DOUBLE GPO (5)	CABLE SIZE	NEUTRAL LINK (3)	EARTH LINK (4)	TERMINALS (2)

(SEE NOTE 6)



**WIRING DIAGRAM**



**CABLE CONNECTIONS**

CAD DRAWING  
DO NOT MANUALLY AMEND  
AMENDMENTS

1. NEUTRAL LINK TO EARTH LINK CONNECTION DELETED. BOX EARTH STUD CONNECTION DESIGNATED.  
MAIN NEUTRAL CONNECTION MOVED FROM TERMINAL STRIP TO NEUTRAL LINK.  
CONNECTIONS TO NEUTRAL & EARTH LINKS ADDED TO CABLE CONNECTIONS.  
ALLOCATION OF TERMINALS ALTERED.  
ITEM 2 No OFF ADJUSTED.  
ITEM 2 WAS NOMINATED AS X ON WIRING AND CABLE CONNECTIONS.  
SIZE OF NEUTRAL AND EARTH LINKS INCREASED.  
CABLE CONNECTIONS CLARIFIED.  
ITEM 5 & 8 REVISED WITH ITEMS 8(4), 8(5) & 8(6) BEING ADDED.  
PN 208/6/9/2  
PWJ 3:10:07  
CHECKED: IWR  
APPROVED: MT

2. NEW AUSGRID BORDER & LOGO ADDED.  
R.LAALAA 24-09-2013  
T.LAMPARD APPROVED



SCALE	AS SHOWN
DESIGNED	-
DRAWN	JH
CHECKED	PWJ
APPROVED	PWJ
DATE	10/04/07
PROJECT NUMBER	103/59/1/2
PROJTRAK NUMBER	-

**CONTROL POINT SERVICE BOARD GENERAL ARRANGEMENT AND WIRING DIAGRAM**

SIZE	DRAWING No	SHEET	AMD
A2	169393	-	2