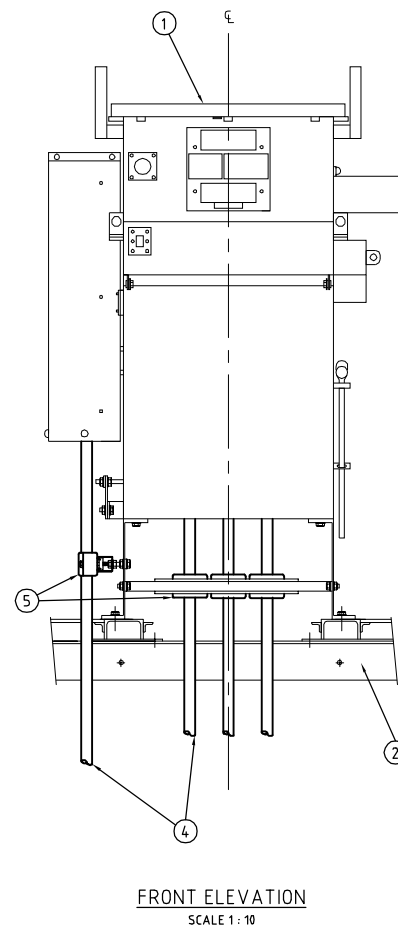
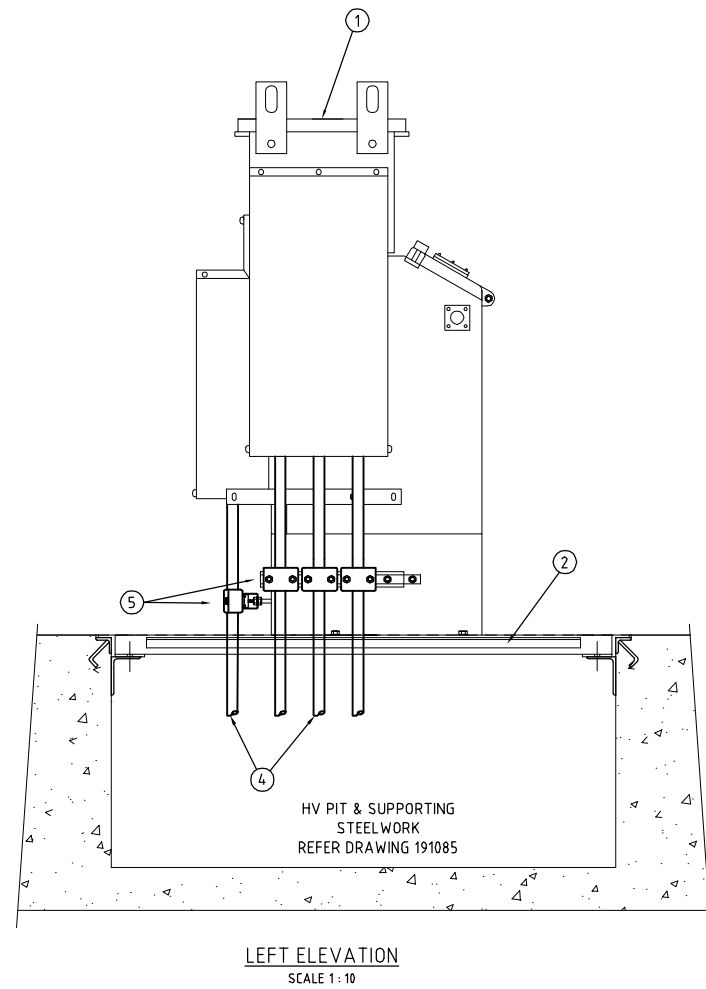
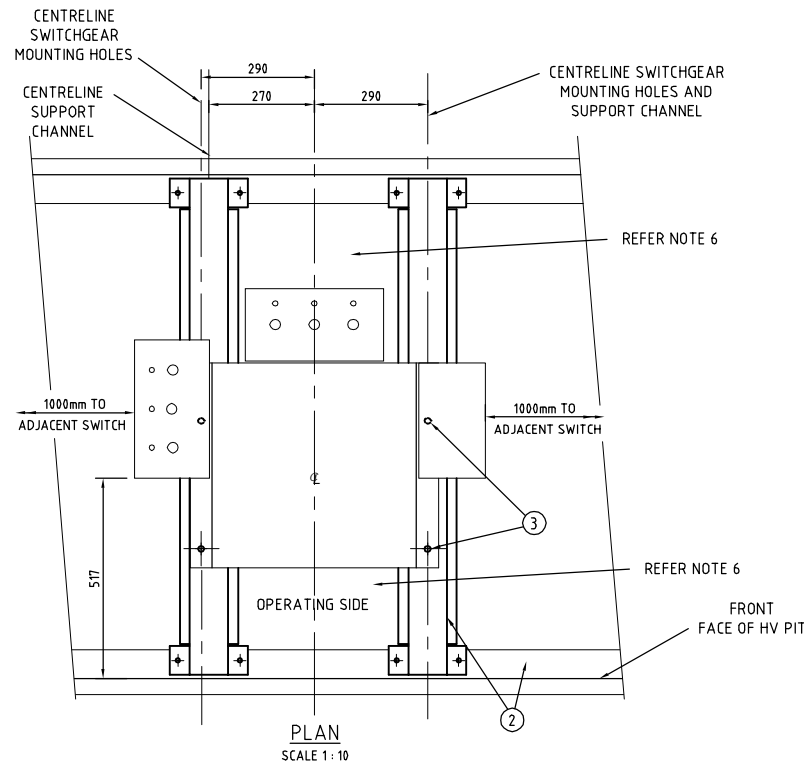


NOTES

1. THIS DRAWING OUTLINES THE WORK REQUIRED TO INSTALL A LUCY EFS FUSE SWITCH OVER THE HV SWITCHGEAR PIT SHOWN ON DRAWING 191085 AND IS TO BE READ IN CONJUNCTION WITH THE SUBSTATION LAYOUT DRAWING AND AUSGRID'S NETWORK STANDARDS.
2. THIS DRAWING DOES NOT SHOW CABLE SCREEN EARTHING OR CONNECTION OF THE HV SWITCH TO THE SUBSTATION EARTH BAR. REFERENCE TO NETWORK STANDARDS 114 AND 177 IS REQUIRED FOR THIS INFORMATION.
3. THE HV SWITCH IS TO BE MOUNTED ON THE SUPPORTING STEELWORK DETAILED ON DRAWING 191085 TO THE DIMENSIONS SHOWN ON THIS DRAWING.
4. THE SPACING OF THE SUPPORTING STEELWORK IS TO BE ADJUSTED TO SUIT THE HV SWITCH.
5. THE SUPPORTING STEELWORK IS TO BE DRILLED ON SITE TO SUIT THE HV SWITCH.
6. IF HV SWITCH SETOUT RESULTS IN AN UNCOVERED SPACE BETWEEN THE SWITCH AND THE END OF THE PIT, THE SPACE MUST BE COVERED WITH 6mm FLOOR PLATE. REFER TO DRAWING 191085 FOR FURTHER DETAILS.

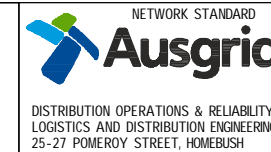


MATERIAL LIST			
ITEM No	DESCRIPTION	REMARKS	No. OFF
1	LUCY EFS FUSE SWITCH		1
2	SUPPORTING STEELWORK	REFER DRAWING 191085	2
3	HOLD DOWN BOLTS	M16 GALVANISED BOLTS, NUTS & WASHERS	4
4	HV CABLES	AS PER DESIGN INFORMATION PACKAGE	6
5	CABLE CLAMPS	AS PER NETWORK STANDARD 177	6

REFERENCE DRAWINGS	
LUCY EFS FUSE SWITCH GENERAL ARRANGEMENT	A2-186741
HV PIT CONSTRUCTION AND SUPPORTING STEELWORK	B1-191085

CAD DRAWING
DO NOT MANUALLY AMEND
AMENDMENTS
1. NEW DRAWING BORDER ADDED.
HV PIT AND SUPPORTING STEELWORK AMENDED AS PER DWG 191085.
CABLE CLAMPS UPDATED TO NETWORK STANDARD
NOTE 6 ADDED
P/N: PM02-02010--1.5-1
DATE: 16-11-2011
DRAWN: N. CHARAN
CHECKED: C. HABBOTT
APPROVED: P. JARVIS

CONSTRUCTION



SCALE	AS SHOWN
DESIGNED	-
DRAWN	M. WENHAM
CHECKED	P. JARVIS
APPROVED	M. THOMSON
DATE	17/10/2008
PROJECT NUMBER	208/6/9/2
PROJTRAK NUMBER	-

CUSTOMER CHAMBER TYPE SUBSTATIONS
INSTALLATION OF LUCY EFS FUSE SWITCH

SIZE	DRAWING No	SHEET	AMD
A1	192906	1	1