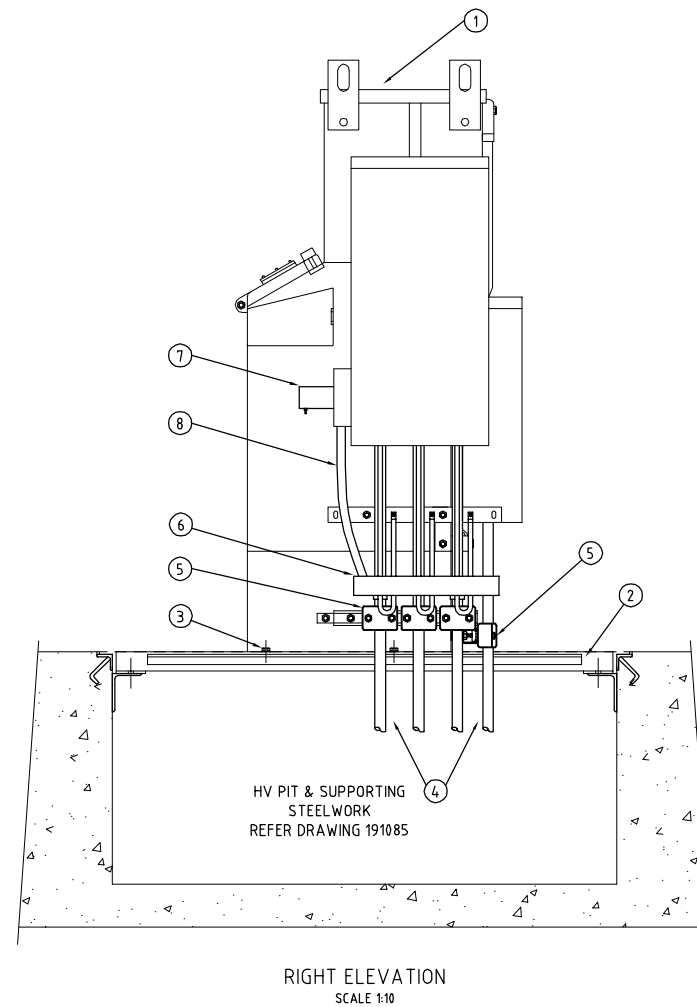
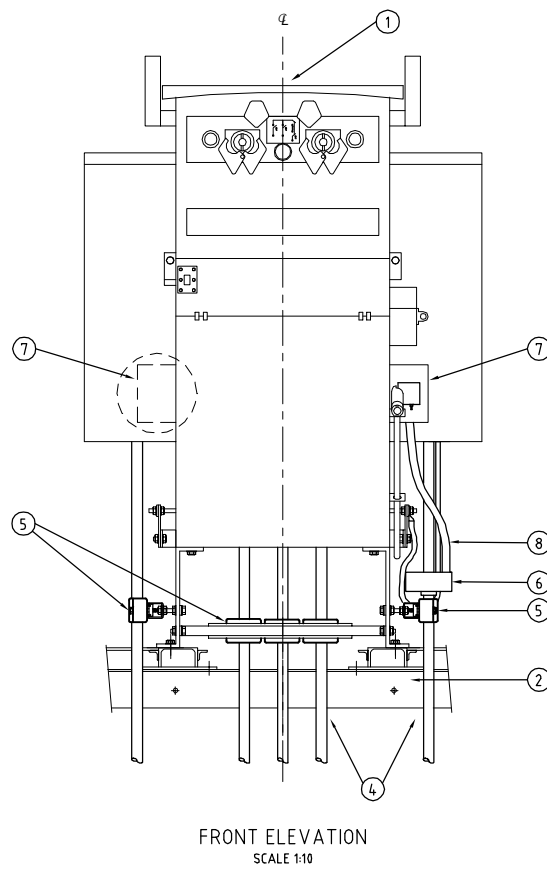


REFERENCE DRAWINGS	
LUCY SABRE FRMU RMI GENERAL ARRANGEMENT	A2-186744
HV PIT CONSTRUCTION AND SUPPORTING STEELWORK	B1-191085
EARTH FAULT INDICATOR TYPE EFI3 OUTLINE, DRILLING & CONNECTIONS	A3-113884

### NOTES

- THIS DRAWING OUTLINES THE WORK REQUIRED TO INSTALL A LUCY FRMU RMI OVER THE HV SWITCHGEAR PIT SHOWN ON DRAWING 191085 AND IS TO BE READ IN CONJUNCTION WITH THE SUBSTATION LAYOUT DRAWING AND AUSGRID'S NETWORK STANDARDS.
- THIS DRAWING DOES NOT SHOW CABLE SCREEN EARTHING OR CONNECTION OF THE HV SWITCH TO THE SUBSTATION EARTH BAR. REFERENCE TO NETWORK STANDARDS 114 AND 177 IS REQUIRED FOR THIS INFORMATION.
- THE HV SWITCH IS TO BE MOUNTED ON THE SUPPORTING STEELWORK DETAILED ON DRAWING 191085 TO THE DIMENSIONS SHOWN ON THIS DRAWING.
- THE SPACING OF THE SUPPORTING STEELWORK IS TO BE ADJUSTED TO SUIT THE HV SWITCH.
- THE SUPPORTING STEELWORK IS TO BE DRILLED ON SITE TO SUIT THE HV SWITCH.
- FLEXIBLE CONDUIT AND CABLE GLANDS ARE TO BE GREY 20mm MEDIUM DUTY UV STABILISED TO AS 2053.
- THE FLEXIBLE CONDUIT IS TO BE RUN VIA THE SHORTEST POSSIBLE ROUTE AND SUPPORT PROVIDED WHERE SHOWN WITH SUITABLE CONDUIT CLAMPS. IF UNSUITABLE FORCES ARE TRANSFERRED ONTO EQUIPMENT VIA THE FLEXIBLE CONDUIT ADDITIONAL CLAMPS SHOULD BE USED.
- FLEXIBLE CONDUIT TO BE TERMINATED ON THE EFI BRACKET VIA SUITABLE CONDUIT GLANDS. THE CONDUIT IS TO BE TIED TO THE CT ADJACENT TO THE CABLE ENTRY POINT.
- THE EFI, EFI CT AND FLEXIBLE CONDUIT CAN BE FITTED TO EITHER SIDE OF THE HV SWITCH. REFER TO THE SUBSTATION DESIGN INFORMATION PLAN FOR DETAILS.
- IF HV SWITCH SETOUT RESULTS IN AN UNCOVERED SPACE BETWEEN THE SWITCH AND THE END OF THE PIT, THE SPACE MUST BE COVERED WITH 6mm FLOOR PLATE. REFER TO DRAWING 191085 FOR FURTHER DETAILS.



### MATERIAL LIST

ITEM No	DESCRIPTION	REMARKS	No. OFF
1	LUCY SABRE FRMU RMI		1
2	SUPPORTING STEELWORK	REFER DRAWING 191085	2
3	HOLD DOWN BOLTS	M16 GALVANISED BOLTS, NUTS & WASHERS	4
4	HV CABLES	AS PER DESIGN INFORMATION PACKAGE	9
5	CABLE CLAMPS	AS PER NETWORK STANDARD 177	9
6	EFI CT	AS PER NETWORK STANDARD 177	1
7	EFI	REFER DRAWING 113884	1
8	EFI CT LEADS FLEXIBLE CONDUIT	REFER NOTES 6, 7 & 8	1

CAD DRAWING  
DO NOT MANUALLY AMEND  
AMENDMENTS  
1. NEW DRAWING BORDER  
ADDED.  
HV PIT AND SUPPORTING  
STEELWORK AMENDED AS  
PER DWG 191085.  
CABLE CLAMPS UPDATED TO  
NETWORK STANDARD  
NOTE 10 ADDED  
P/NL PM02-02010--5-1  
DATE: 16-11-2011  
DRAWN: M. CHARAN  
CHECKED: C. HABBOTT  
APPROVED: P. JARVIS

CONSTRUCTION

NETWORK STANDARD  
**Ausgrid**  
DISTRIBUTION OPERATIONS & RELIABILITY  
LOGISTICS AND DISTRIBUTION ENGINEERING  
25-27 POMEROY STREET, HOMEBUSH

SCALE	AS SHOWN
DESIGNED	M. COUPLAND
DRAWN	P. JARVIS
CHECKED	M. THOMSON
APPROVED	17/10/2008
DATE	208/6/9/2
PROJECT NUMBER	
PROJTRAK NUMBER	

CUSTOMER CHAMBER TYPE SUBSTATIONS  
INSTALLATION OF  
LUCY SABRE FRMU RMI

SIZE	DRAWING No	SHEET	AMD
A1	192907	1	1