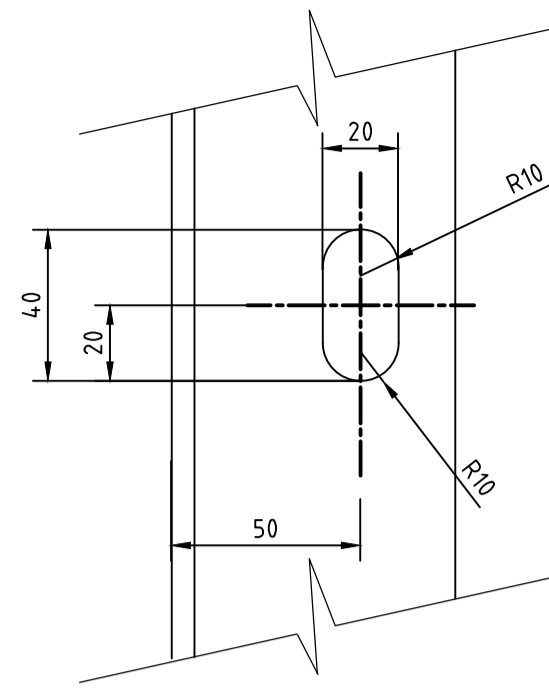
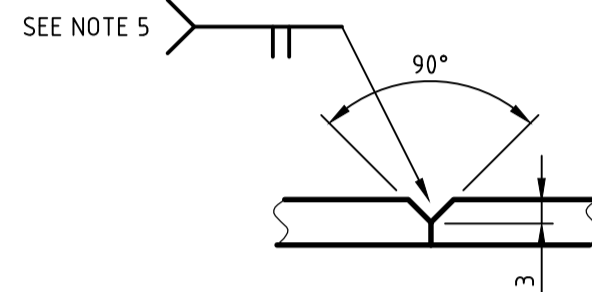


PLAN
SCALE 1:5



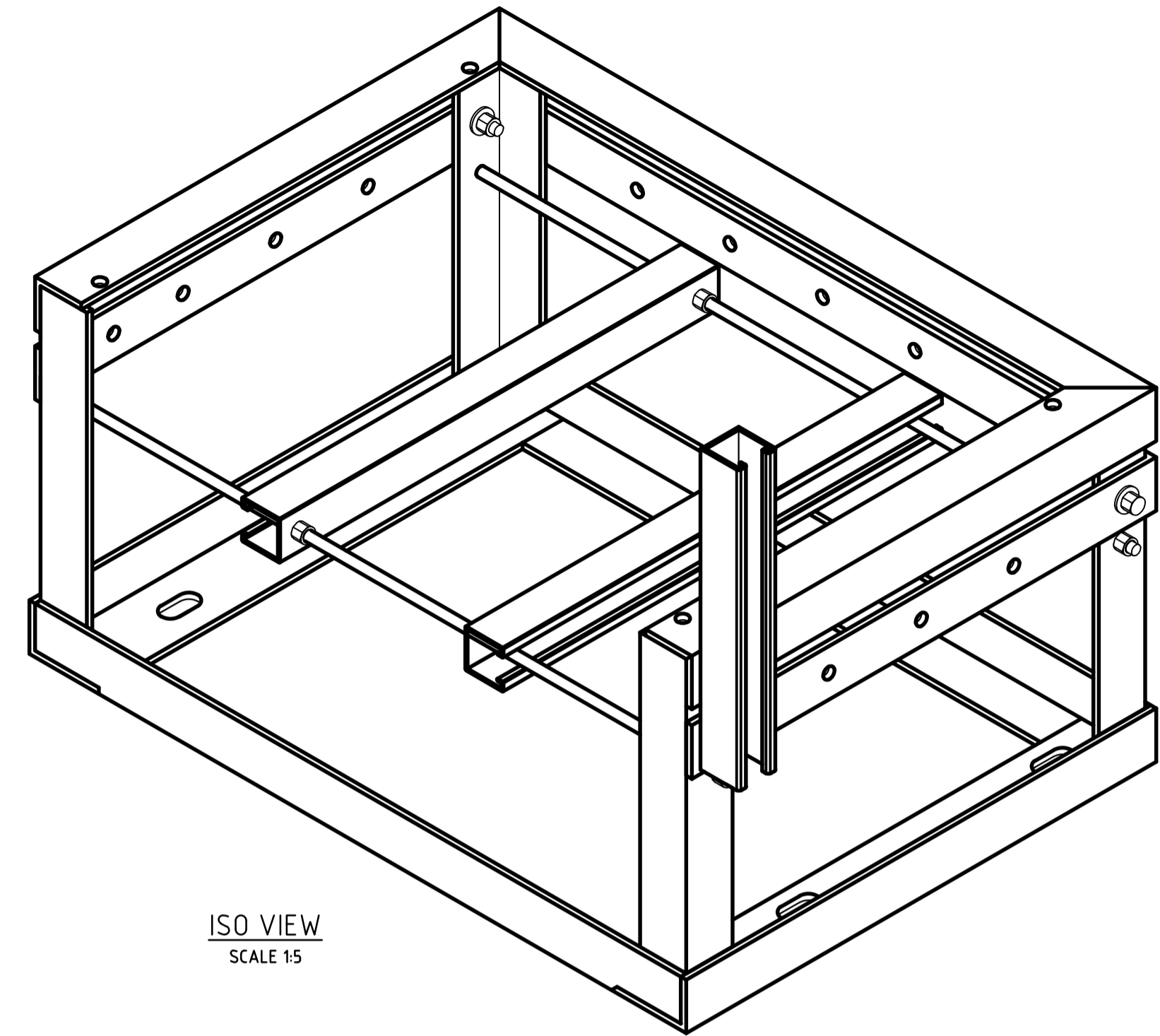
DETAIL 'A'

SCALE = 1:2

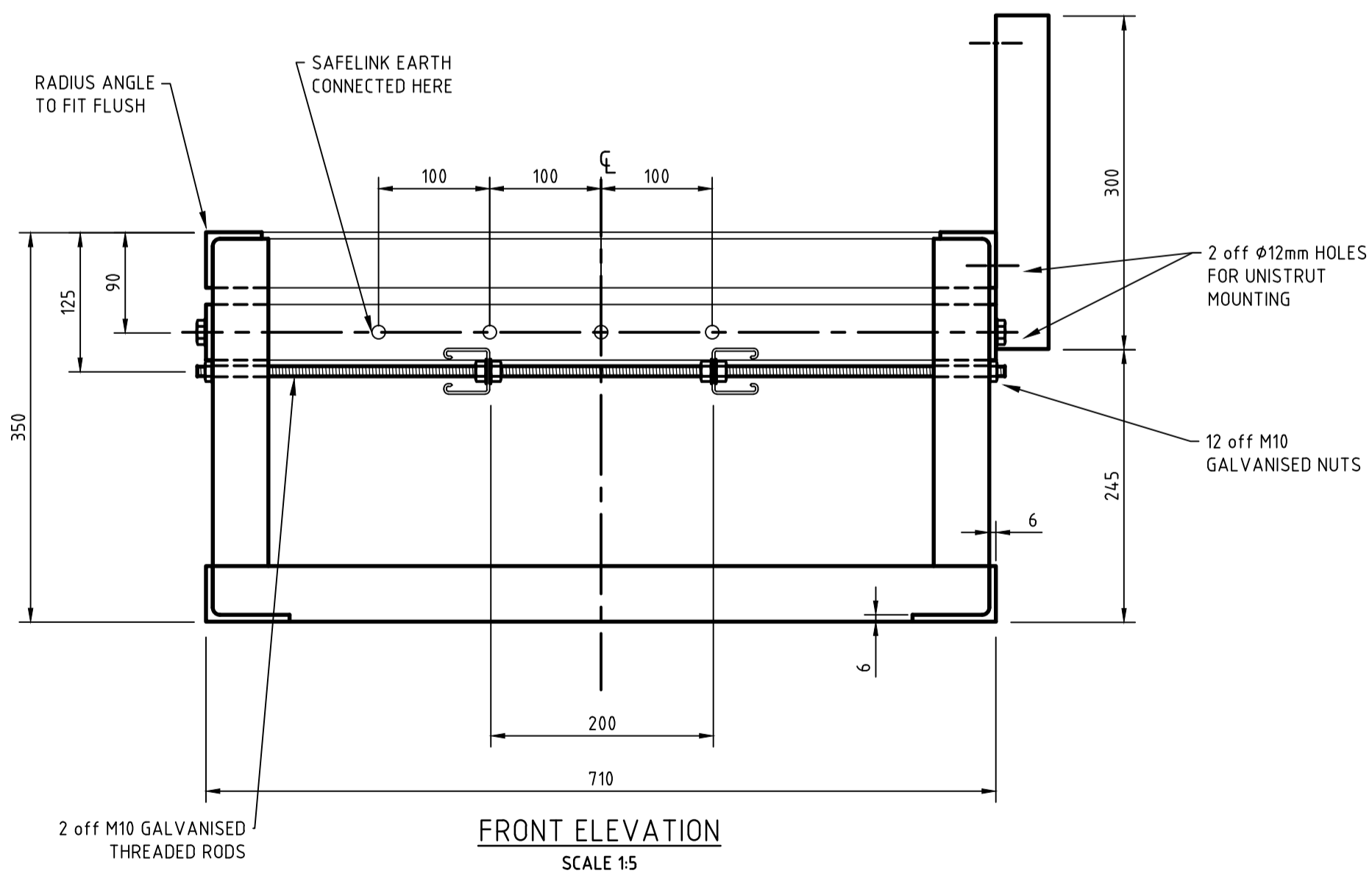


BUTT WELD PREPARATION DETAIL

SCALE = 1:1

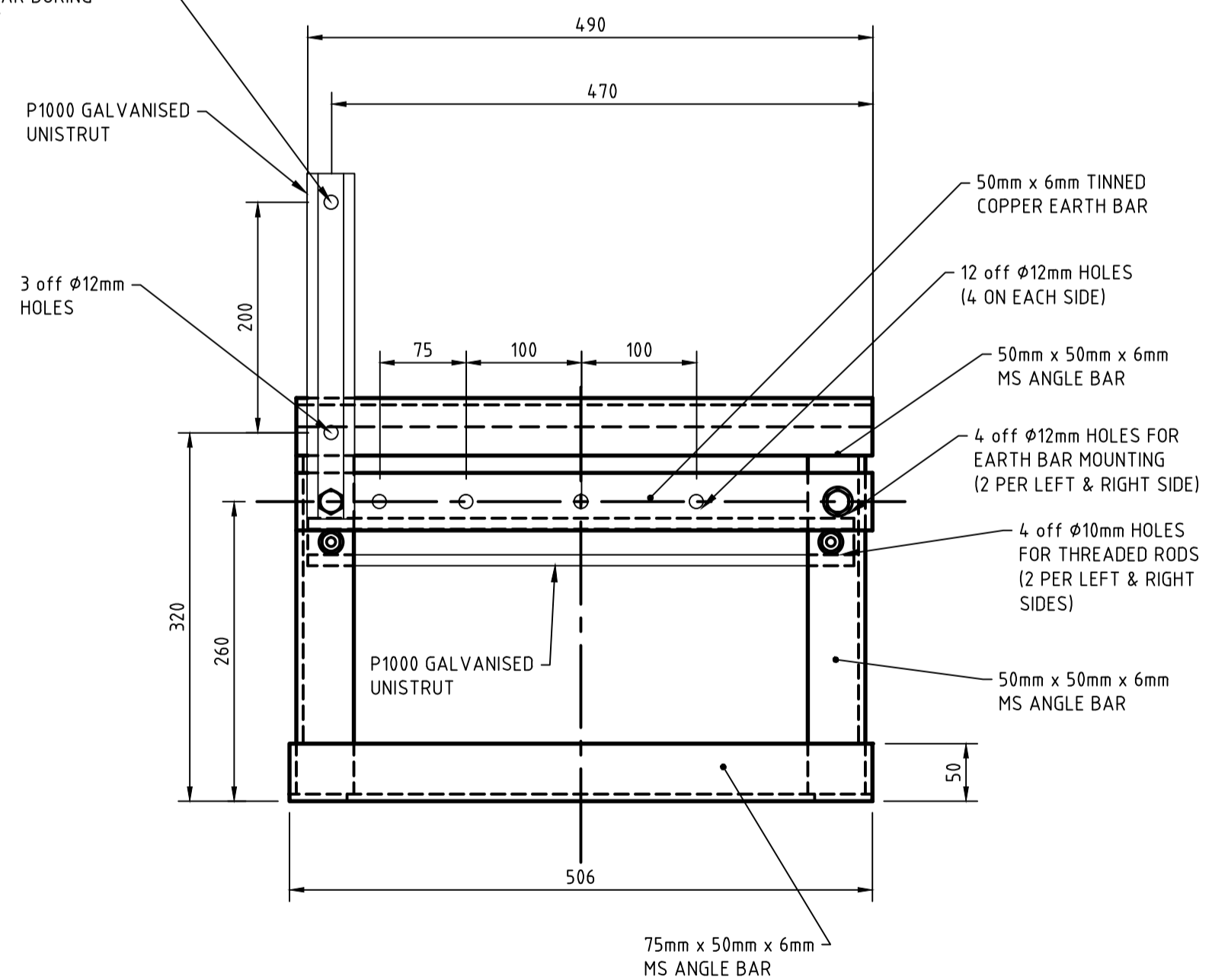


ISO VIEW
SCALE 1:5



FRONT ELEVATION
SCALE 1:5

NOTE : HOLE REQUIRED FOR UNISTRUT MOUNTING ON EARTH BAR DURING TRANSPORT



SIDE ELEVATION
SCALE 1:5

NOTES :

- ALL STEELWORK TO BE FABRICATED IN ACCORDANCE WITH AS 4100.
- UNLESS NOTED OTHERWISE:
(a) ALL HOT ROLLED FLATS TO BE GRADE 250 MINIMUM IN ACCORDANCE WITH AS 1594.
(b) ALL HOT ROLLED SECTIONS TO BE GRADE 250 MINIMUM IN ACCORDANCE WITH AS 3679.
- ALL COPPER BARS TO BE COPPER ALLOY C11000 TO AS 2738
- ALL TIN PLATING TO HAVE A MINIMUM COATING THICKNESS OF 5 MICROMETERS.
- ALL EXTERNAL BUTT WELDS ON ANGLE FRAME TO BE PARTIAL PENETRATION AS PER WELD DETAIL AND GROUND FLUSH ON COMPLETION
- ZINC PLATED ISO NUTS BOLTS, NUTS AND WASHERS ARE REQUIRED UNLESS OTHERWISE SPECIFIED. NUTS SHALL TO BE FREE RUNNING.
- ALL SHARP EDGES AND BURRS ARE TO BE REMOVED AFTER FABRICATION.

CAD DRAWING
DO NOT MANUALLY AMEND
AMENDMENTS
1 MAIN MOUNTING ANGLE REDUCED IN SIZE
MOUNTING HOLES RELOCATED
TITLE ALTERED
P/N: PM02-02010-1-5-1
DRAWN: C.MABBUTT 14-04-2010
CHECKED: R.KITCHING
APPROVED: P.JARVIS
2. NEW AUSGRID BORDER & LOGO ADDED.
RLAALAA 30-09-2013
APPROVED T.LAMPARD



DISTRIBUTION OPERATIONS & RELIABILITY
LOGISTICS & DISTRIBUTION ENGINEERING
25-27 POMEROY STREET, HOMEBUSH

SCALE	1:2 1:5
DESIGNED	S.MCPHERSON
DRAWN	S.MCPHERSON
CHECKED	T.FEARNLEY
APPROVED	C.CHIODI
DATE	10.01.2011
PRJTRK No.	-
PROJECT NUMBER	

ABB SAFELINK FOR
CHAMBER SUBSTATIONS
MOUNTING STAND
CONSTRUCTION DETAILS

DRAWING No 192959 SHEET 1 AMD 2 SIZE A1