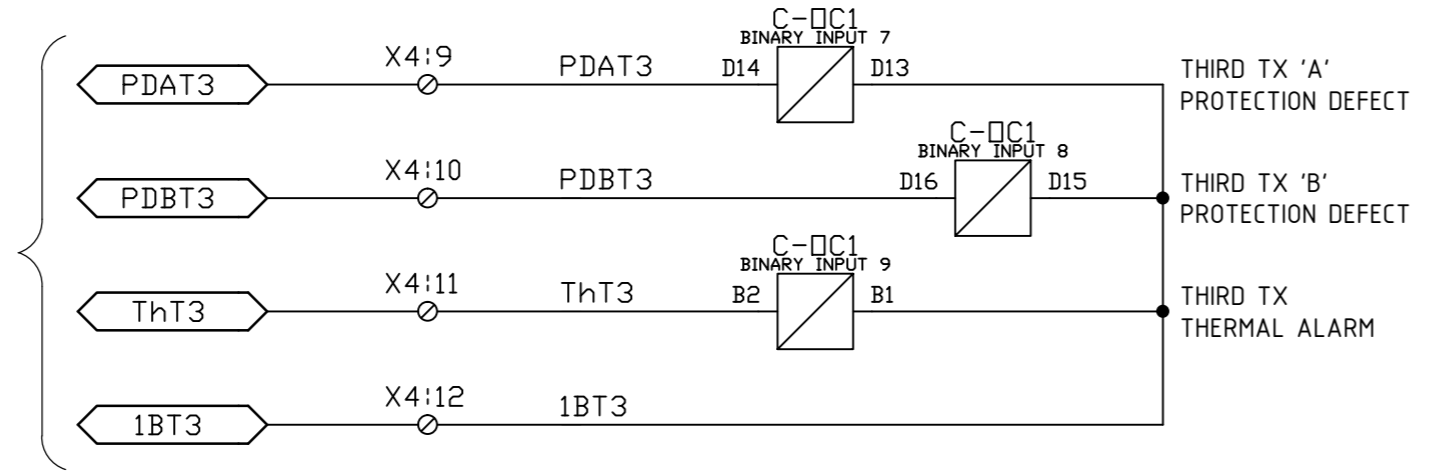
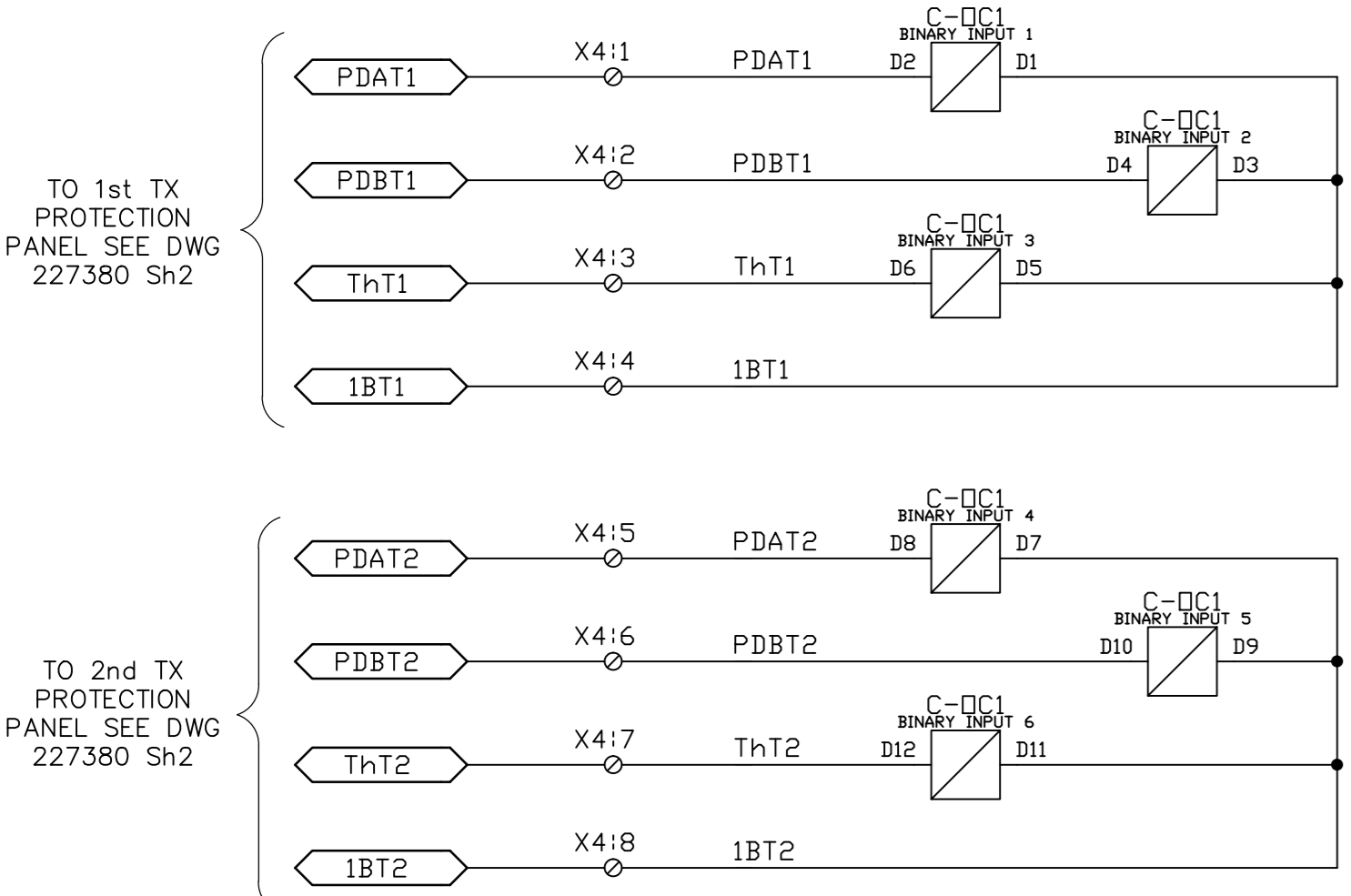


CUSTOMER OVERCURRENT No.1 PANEL

CUSTOMER OVERCURRENT No.2 PANEL

TO BE INSTALLED AS REQUIRED - SEE NOTE 2

SEE NOTE 2



NOTES:

- THE 'B' END OF A FUSE OR LINK THUS (B) INDICATES THE BOTTOM CONNECTION.
- THIS DRAWING SHOWS THE DC PROTECTION SCHEMATIC WHICH IS TO BE USED AT A CITY DISTRIBUTION SUBSTATION WITH OPTICAL ARC FLASH DETECTION AND DISTRIBUTION LOCAL AUTOMATION CONTROL PANEL INSTALLED. IT SHOULD BE READ IN CONJUNCTION WITH NETWORK STANDARDS AND THE SUBSTATION DESIGN INFORMATION PACKAGE. THIS DRAWING SHOWS 2 CUSTOMER SUPPLY ARRANGEMENTS. CUSTOMER NO2 PROTECTION & WIRING IS TO BE INSTALLED ONLY WHERE REQUIRED.
- CUSTOMER SUPPLY IS TO BE BY ACB. OVERCURRENT CT'S ARE INSTALLED AS SHOWN ON THE AC SCHEMATIC.
- FOR CLARITY, TRANSFORMERS ARE REFERENCED AS 1st TRANSFORMER, 2nd TRANSFORMER & 3rd TRANSFORMER. ACTUAL DESIGNATION WILL DEPEND ON WHICH CITY TRIPLEX FEEDERS ARE SUPPLYING THE DISTRIBUTION SUBSTATION. TYPICAL DESIGNATION FOR 1st, 2nd, & 3rd TRANSFORMERS ARE - 'A', 'B', & 'C' 'D', 'E' & 'F' 'G', 'H', & 'J' 'K', 'L', & 'M' SEE DESIGN PACKAGE FOR PROJECT DETAIL.

TAGNAME	MFG	CATNO	DESC	REF DWG
BL_LK	EUGAGUP	MOULDED TYPE MS	BATTERY TEST LINK	56711
CA	ISEC	RM2B-ULD 48V DC	AUXILIARY RELAY WITH BASE SHB-45C	161975
C-DC1, C-DC2	SCHNEIDER ELECT.	MICOM P142	OVERCURRENT & EARTH FAULT RELAY	224809
EB	-	EARTH BAR	EARTH BAR	-
FSB	ALSTOM	RS20P Black	FUSE - 2 STUD BACK CONNECTED	-
AP	-	-	ANTI-PUMP RELAY (ACB PANEL)	-
ACM	-	-	AC MOTOR FOR SPRING CHARGING (ACB INTERNAL)	-
CS	-	-	CONTROL SWITCH (ACB PANEL)	-
SRC	-	-	SPRING RELEASE COIL (ACB INTERNAL)	-
TC	-	-	TRIP COIL (ACB INTERNAL)	-
Y	-	-	AUXILIARY SWITCH (Open when CB Open)	-
Y'	-	-	AUXILIARY SWITCH (Closed when CB Open)	-
Y''	-	-	AUXILIARY SWITCH (Spring Charge)	-
X3	UTILUX	3820	RAIL MOUNTED TERMINAL	118547
X4	WEDMULLER	SAK 25	RAIL MOUNTED FUSE CAT No. 27966	-
X5	WEDMULLER	ASK1	RAIL MOUNTED FUSE CAT No. 37636	-
X5	WEDMULLER	SAKR	RAIL MOUNTED ISOLATING TERM CAT No. 41226	-

LINK No.	LINK FUNCTION
LK-3B	CUSTOMER ACB SCADA CONTROL CLOSE - LINK
LK-2B	CUSTOMER ACB SCADA CONTROL OPEN - LINK
FSB	48V 'B' BATTERY PROTECTION FUSE
BL-10B	48V 'B' -VE BATTERY LINK
BL-1B	'B' -VE BATTERY LINK

SCALE	DATE	BY	CHKD	APPD	DATE	PRJTRK No.	PROJECT NUMBER
N/A	17/06/2015	E.KAIROUZ	C.MURPHY	C.MURPHY	17/06/2015	-	OPEX-6923-1



CITY DISTRIBUTION SUBSTATIONS WITH E TYPE LV BOARD AND OPTICAL ARC FLASH DETECTION CUSTOMER OVERCURRENT DC SCHEMATIC

DRAWING No. **227380** SHEET 3 AMD 0 SIZE A0

570 GEORGE ST SYDNEY NSW 2000 P: 9272 3805

© - Distribution Substations