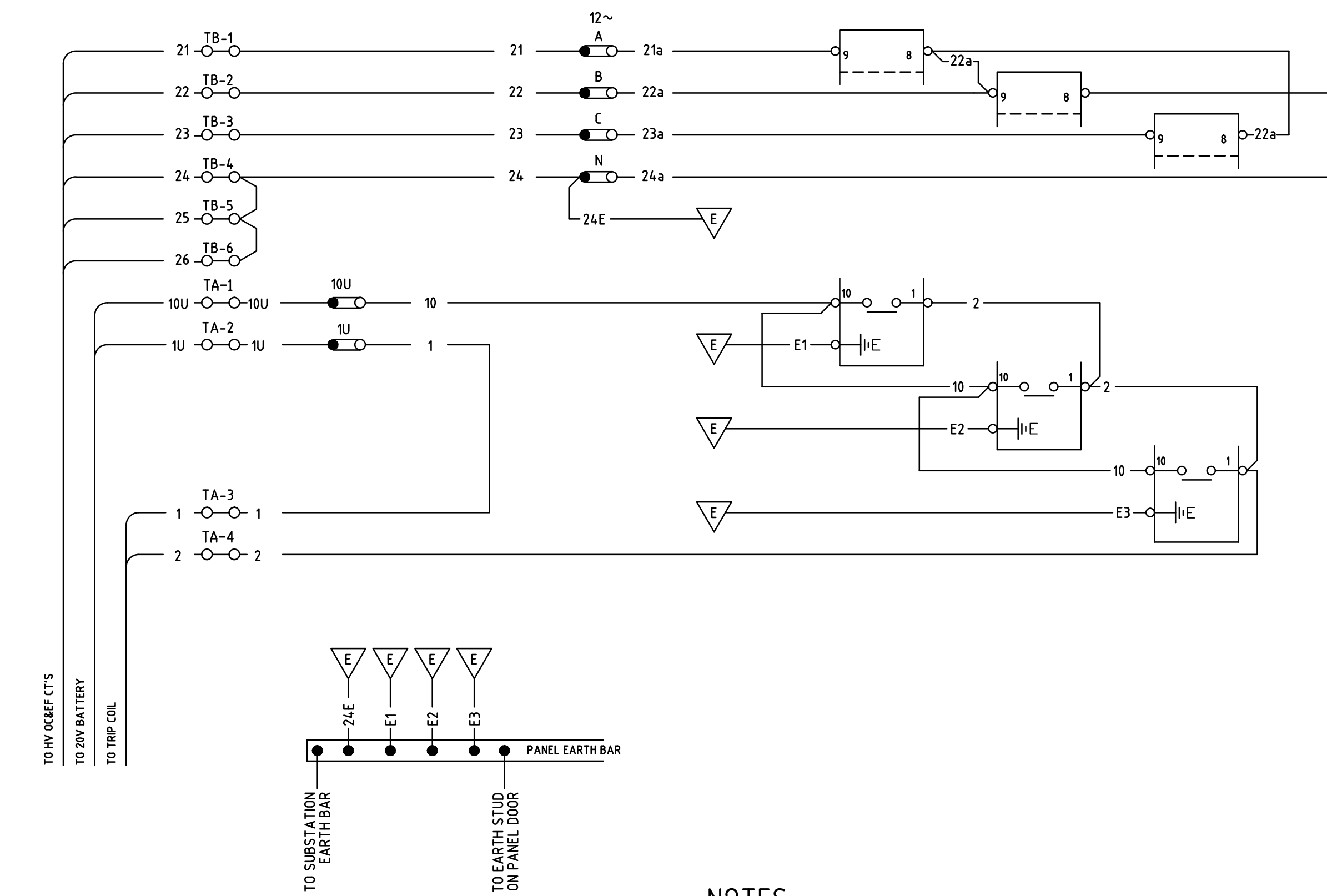


WIRING DIAGRAM

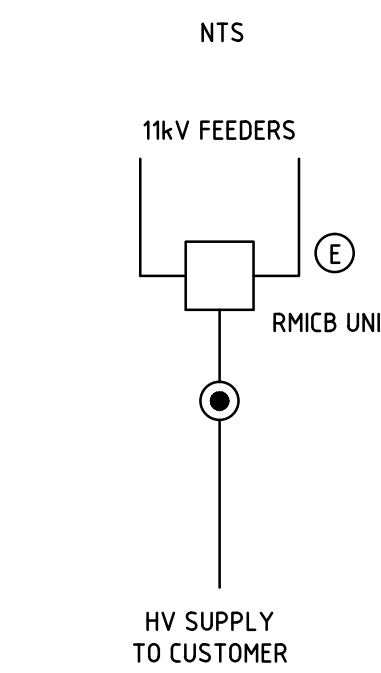
CABLE CONNECTIONS	TERMINALS	DC LINKS	AC LINKS	OVERCURRENT-A RELAY	EARTH FAULT RELAY	OVERCURRENT-C RELAY
-------------------	-----------	----------	----------	---------------------	-------------------	---------------------



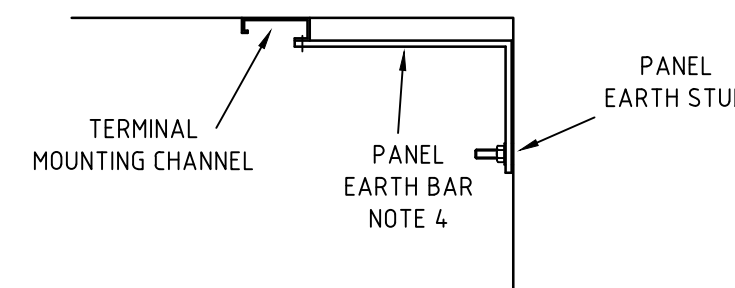
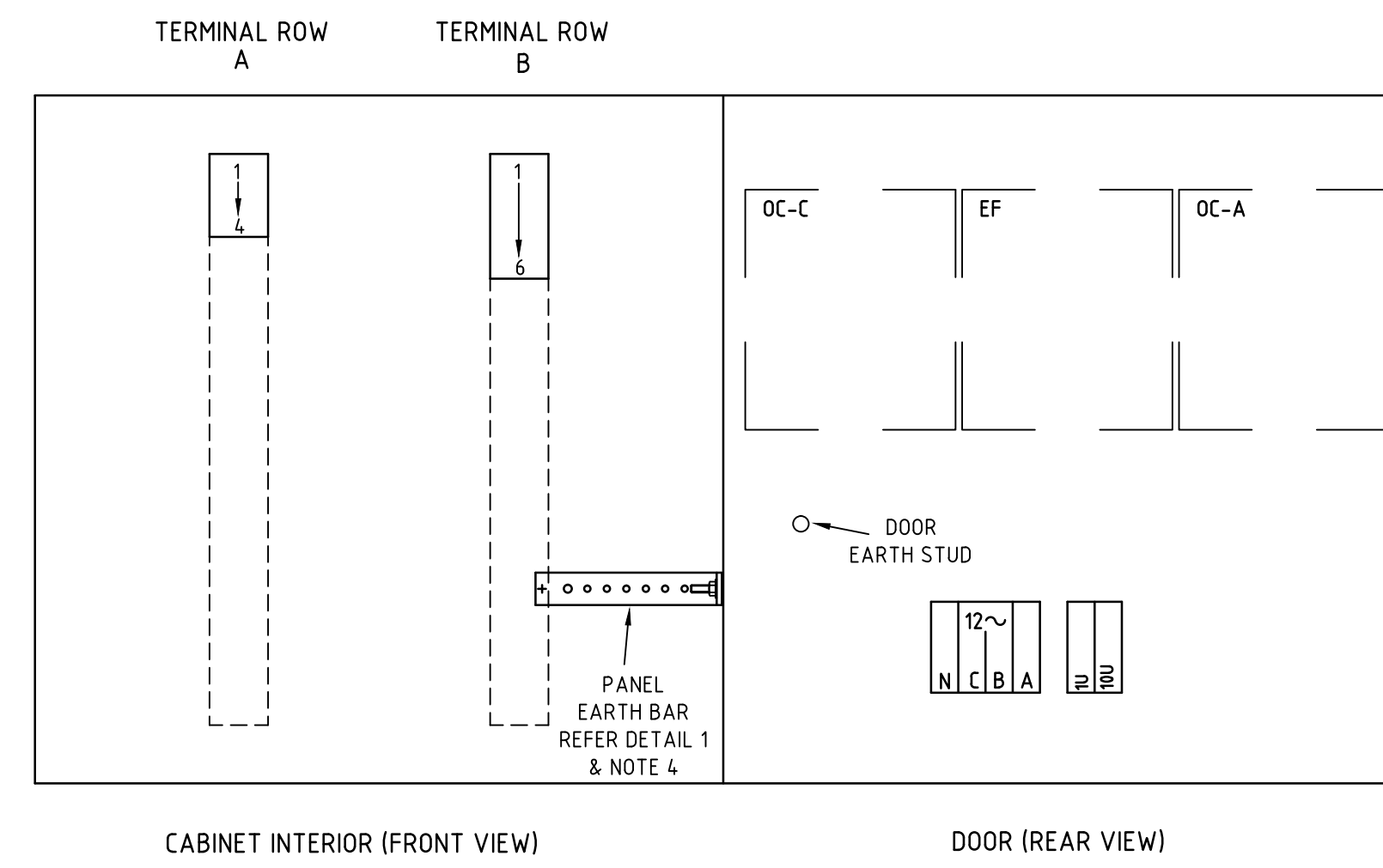
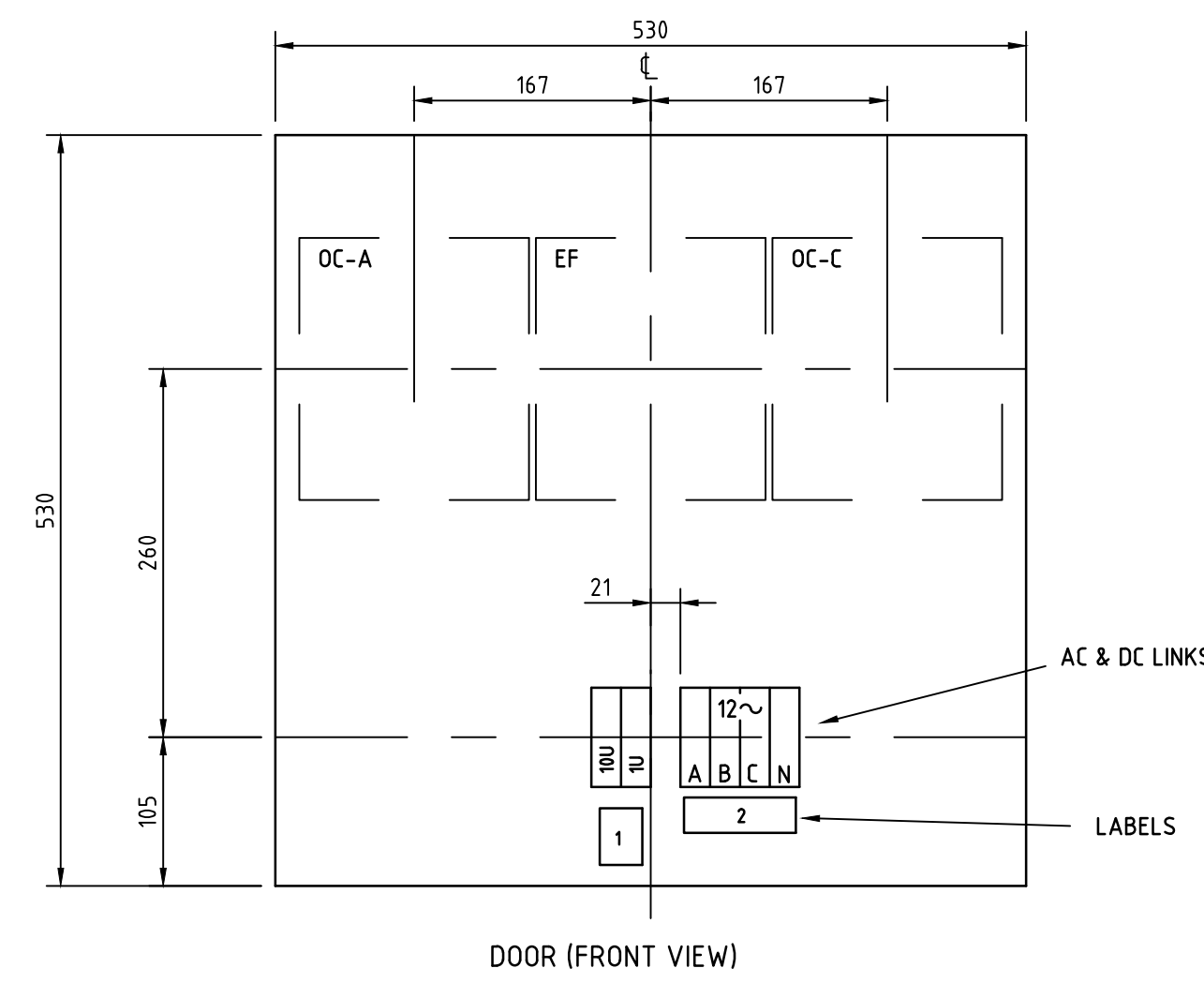
NOTES

- THIS DRAWING SHOWS THE PROTECTION SCHEMATICS, PANEL & WIRING TO BE USED IN KIOSK & CHAMBER TYPE HVC SUBSTATIONS WHICH HAVE A RMICB HV SWITCH. THIS DRAWING SHOULD BE READ IN CONJUNCTION WITH NETWORK STANDARDS AND THE SUBSTATION DESIGN INFORMATION PACKAGE.
- ALL PANEL WIRING IS TO BE 7/0.67, 0.6kV V75 GRADE WITH PVC INSULATION. ALL INSULATION IS TO BE GREY COLOURED EXCEPT FOR EARTH WIRES WHICH ARE TO BE GREEN/YELLOW.
- A DOT ON A LINK () INDICATES BOTTOM TERMINAL.
- A 25mm x 4mm HDHC COPPER EARTH BAR IS TO BE MADE AND BOLTED TO THE CABINET EARTH STUD AND THE TERMINAL ROW B MOUNTING CHANNEL AS SHOWN IN DETAIL 1. THE EARTH BAR IS TO BE DRILLED TO ACCOMMODATE INDIVIDUAL CONNECTIONS FROM THE PANEL DOOR, LINKS, RELAY CASES AND THE 6mm CABLE FROM THE SUBSTATION EARTH BAR. CONNECTIONS ARE TO BE EVENLY SPACED ALONG LENGTH OF EARTH BAR.
- EARTH CONNECTIONS DESIGNATED ARE TO BE CONNECTED INDIVIDUALLY TO THE EARTH BAR.
- FOR LOOM METHOD OF WIRING REFER TO DRAWING 52474.
- THIS WALL MOUNTED PANEL IS TO BE CONSTRUCTED IN ACCORDANCE WITH MARK 2 OF DWG 28632.
- LABELS ARE TO BE MADE AND POSITIONED AS SHOWN ON DRAWING 178241. DRILLING FOR RELAYS AND LINKS ARE SHOWN ON DRAWINGS 178241 AND 191086.
- ON THE WIRING DIAGRAM TERMINALS ARE NOMINATED AS TERMINAL ROW-TERMINAL NUMBER, eg TB-4 MEANS THE 4th TERMINAL ON TERMINAL ROW B.

LINE DIAGRAM

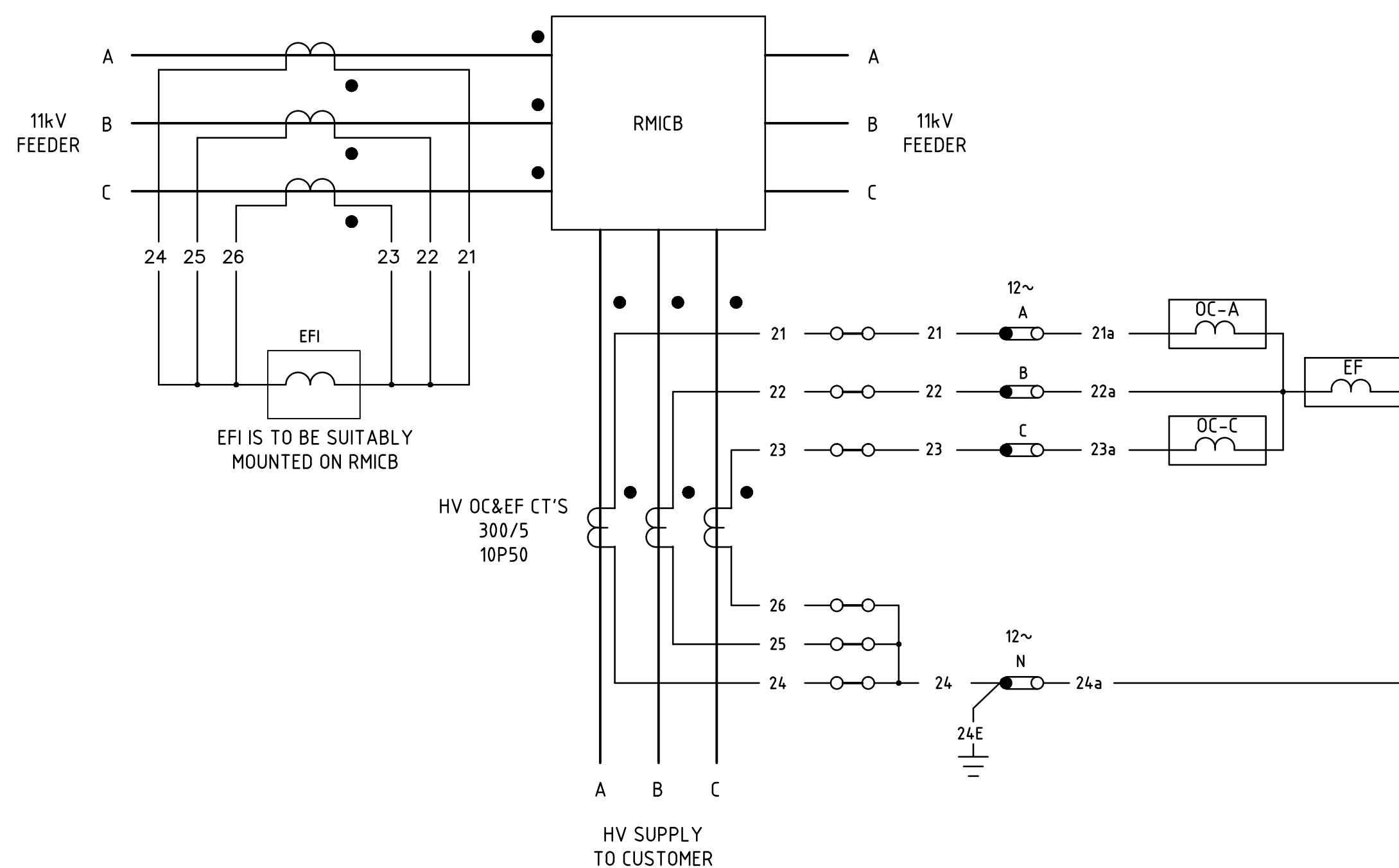


LAYOUT DETAILS
REFER NOTE 7
SCALE 15

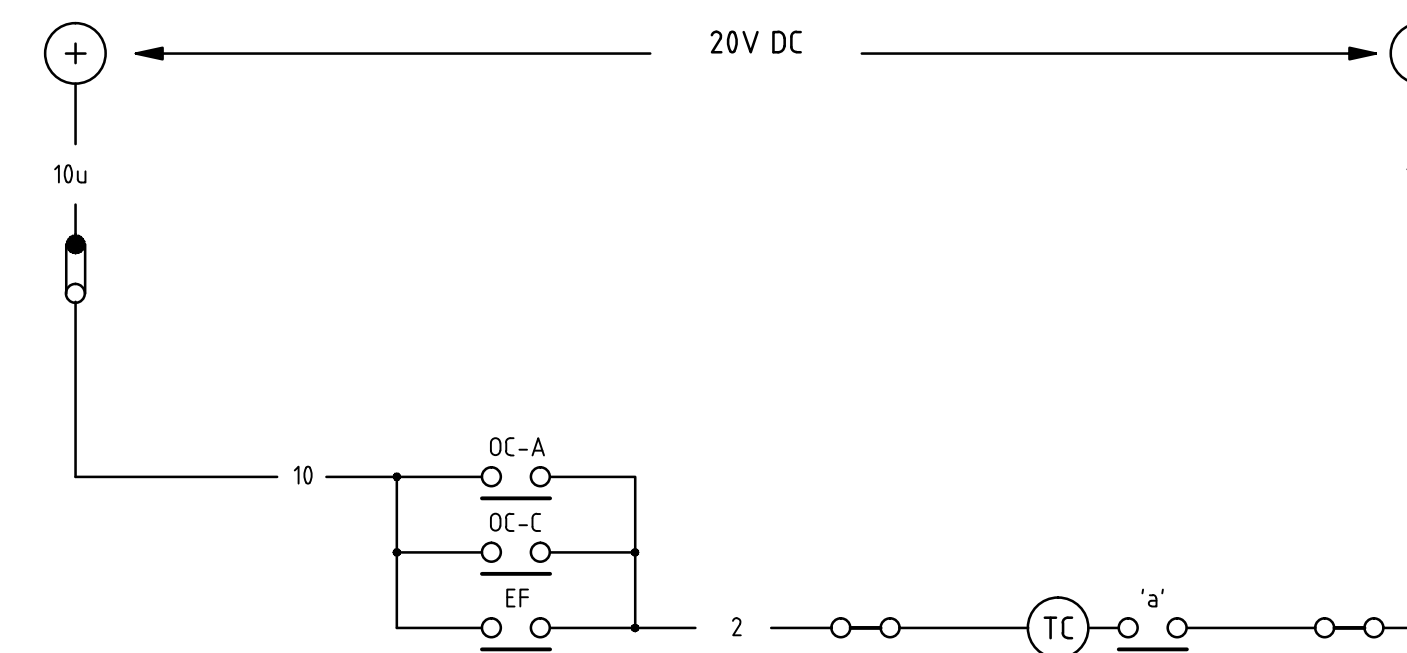


DETAIL 1
CABINET INTERIOR (PLAN VIEW)
EARTH BAR LOCATION
SCALE 15

AC SCHEMATIC



DC SCHEMATIC



REFERENCE DRAWINGS

DISTRIBUTION SUBSTATIONS LABELS & MOULDED LINK DETAILS	178241
DISTRIBUTION SUBSTATIONS PROTECTION RELAY DRILLING DETAILS	191086
LOOM METHOD OF PANEL WIRING	52474
WALL MOUNTED RELAY PANEL STEELWORK	28632
UTILUX H3820 RAIL MOUNTED TERMINALS	118547

LABEL DETAILS

LABEL	LABEL SIZE	COLOUR	TEXT LINE	TEXT HEIGHT	ENGRAVING	No OFF
1	C3	GRAVOPLY No.248 RED/WHITE	LINE 1 LINE 2 LINE 3 LINE 4	4.0 2.5 2.5 2.5	10 1 20V DC BUS MASTER BATTERY LINKS	1
2	C1	GRAVOPLY No.259 PINE GREEN/WHITE	LINE 1 LINE 2 LINE 3 LINE 4	4.0 2.5 2.5 2.5	A B C N OVERCURRENT & EARTH FAULT CT TEST LINKS	1

LEGEND

SYMBOL	DESCRIPTION	TYPE
OC-A, OC-C	OVERCURRENT RELAYS	CO-9
EF	EARTH FAULT RELAY	CO-9
EFI	EARTH FAULT INDICATOR	EFI3
	TERMINALS TYPE UTILUX TYPE H3820 WITH UTILUX H2333 MOUNTING CHANNEL	
TC	TRIP COIL	
a	AUXILIARY SWITCH (Open when CB Open)	
RMICB	11kV RING MAIN ISOLATOR CIRCUIT BREAKER	



SCALE	AS SHOWN
DESIGNED	-
DRAWN	L.MARTINUZZI
CHECKED	C.MURPHY
APPROVED	C.MURPHY
DATE	20/03/2015
PRJTRK No.	-
PROJECT NUMBER	OPEX-1831-1-3-1

HIGH VOLTAGE CUSTOMER RMICB SUBSTATIONS
AC & DC PROTECTION SCHEMATICS
AND WALL MOUNTED PROTECTION PANEL
LAYOUT AND WIRING DETAILS

DRAWING No	237229	SHEET	1	AMD	0	SIZE	B1
------------	--------	-------	---	-----	---	------	----

CAD DRAWING
DO NOT MANUALLY AMEND
AMENDMENTS