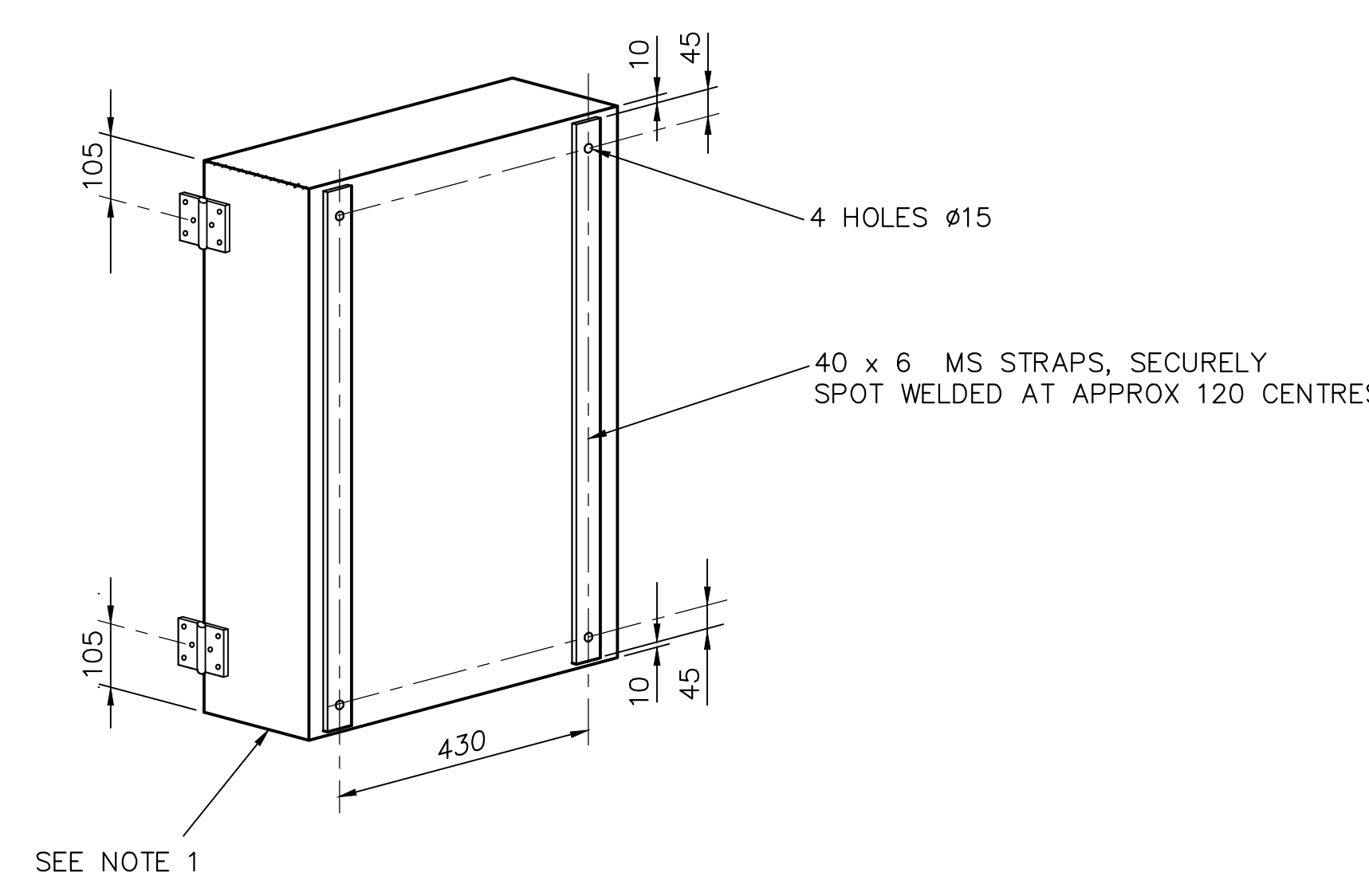
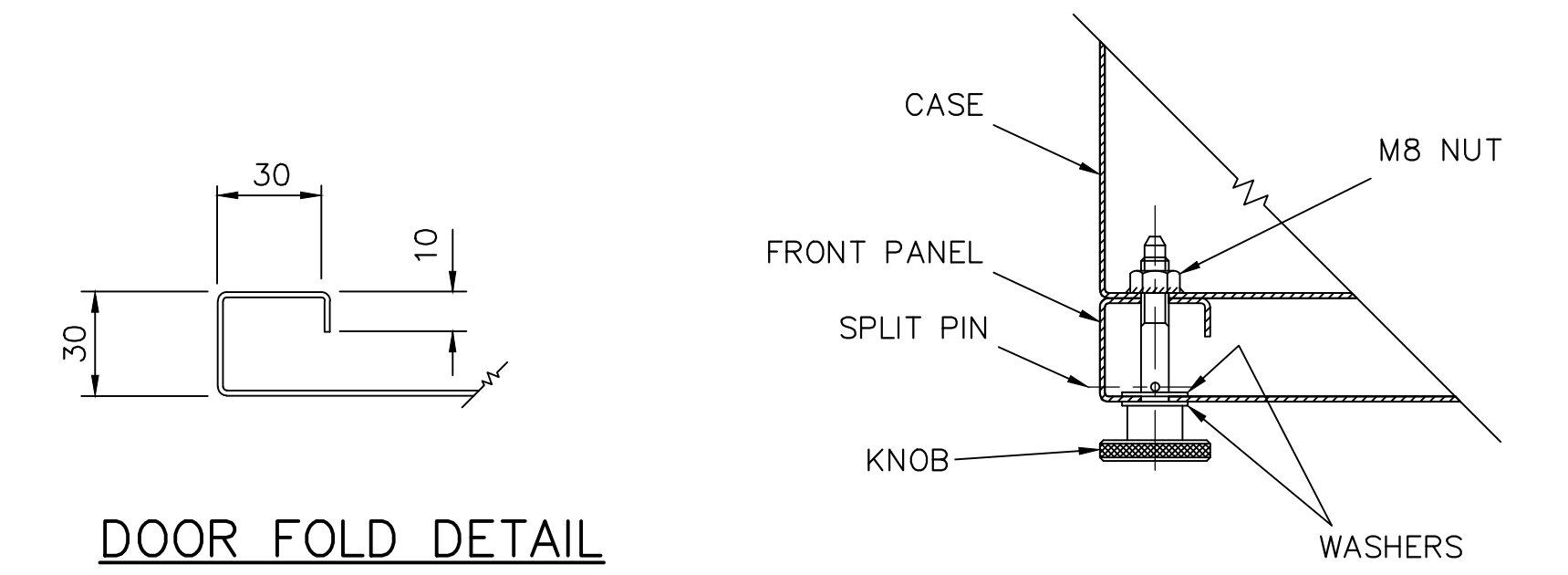


CABINET FRONT VIEW
MATL: 1.6 THK MS.

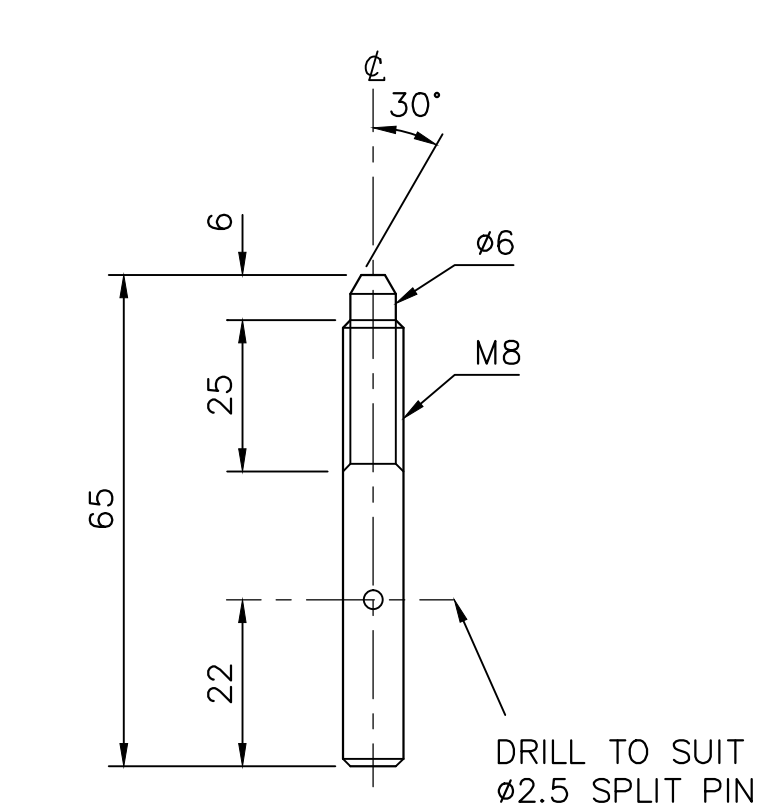


CABINET REAR VIEW

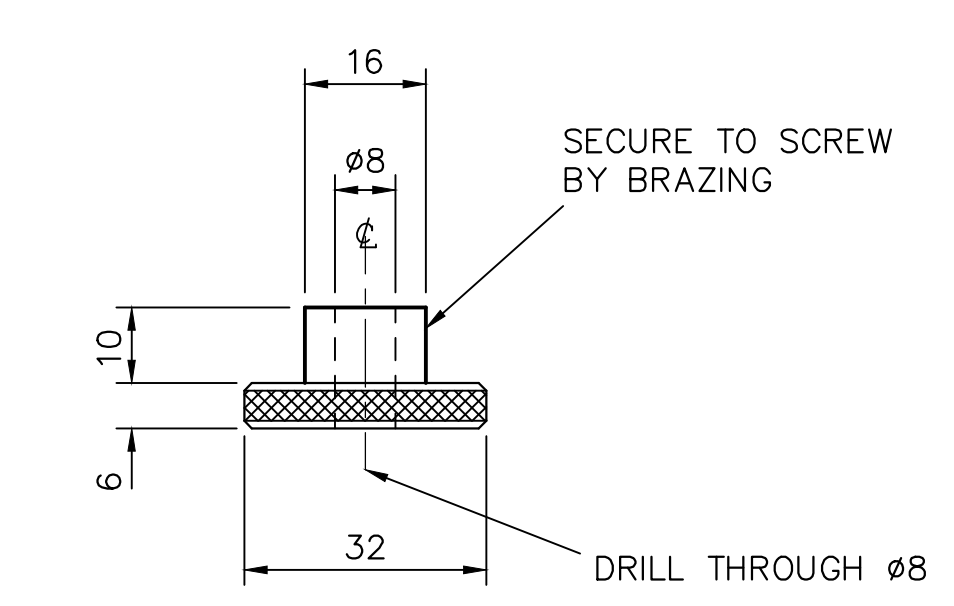


DOOR FOLD DETAIL

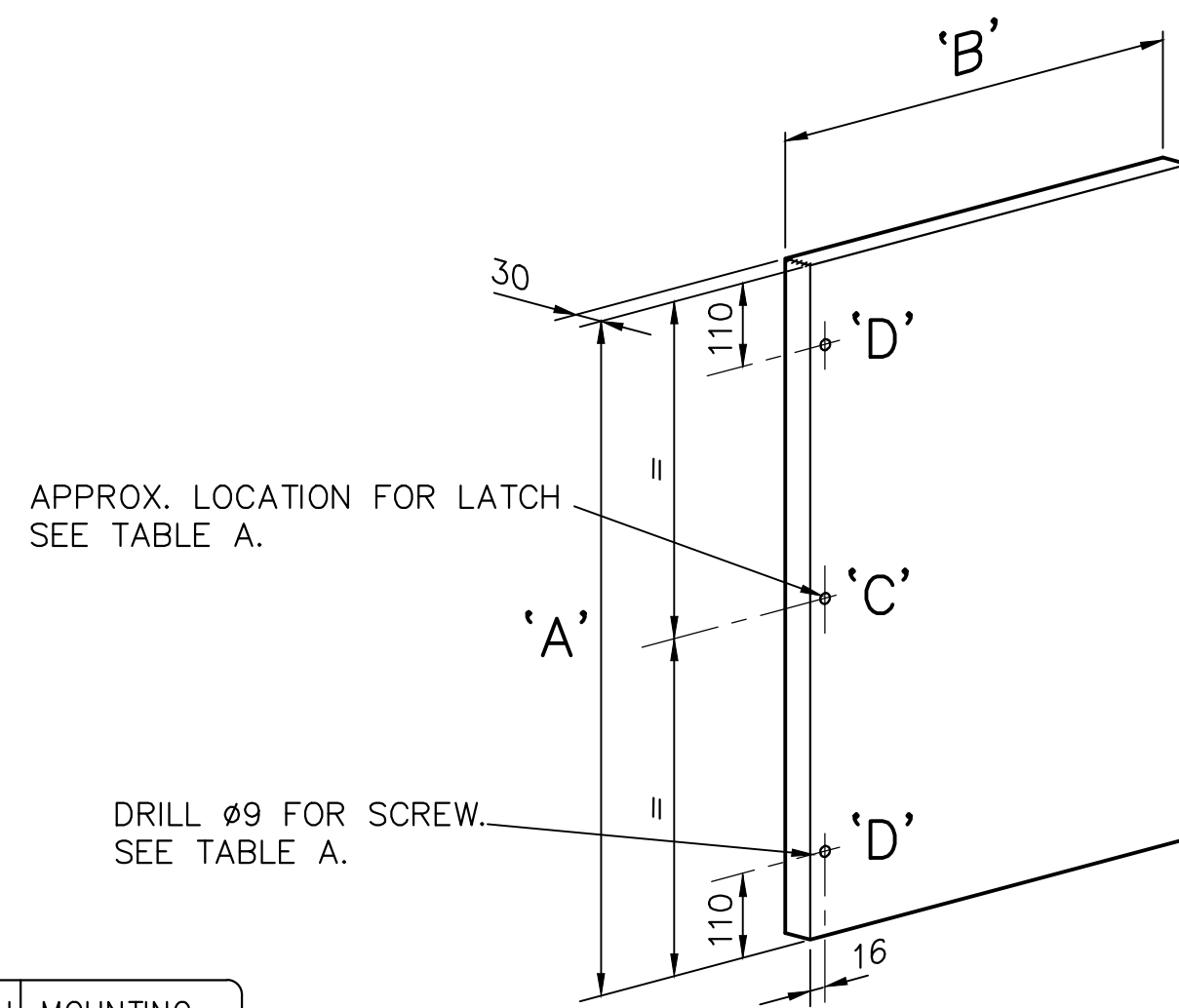
LATCHING SCREW ASSEMBLY



SCREW
MATL: Ø8 MS



KNOB
MATL: MS.



HINGED FRONT PANEL (REAR)

TABLE A

MARK	DIMENSION (mm)			No. OF LATCH SCREWS.		MOUNTING RAIL LENGTH
	A	B	E	C	D	
MARK 1	760	530	180		2	585
MARK 2	530	530	180		2	355
MARK 3	915	530	180		2	740
MARK 4	915	610	180		2	740
MARK 4A	915	610	300		2	825
MARK 5	305	530	180	1		130
MARK 6	915	760	180		2	740
MARK 7	1220	610	180		2	1045
MARK 8	1220	760	180		2	1045
MARK 9	460	610	180	1		285

HINGED FRONT PANEL
MATL: 2mm THK MS.

NOTES

- ALL WELDS ON EXTERIOR SURFACES TO BE DRESSED SMOOTH AND FLUSH.
- ALL SHEET METAL EDGES TO BE TRUE AND DRESSED FREE OF BURRS.
- HINGES TO BE FIXED TO THE FRONT PANEL BY MEANS OF COUNTERSUNK SCREWS AND NUTS.
- STEELWORK TO BE THOROUGHLY CLEANED AND POWDER COATED N22 CLOUD GREY.
- REFER TO INDIVIDUAL PANEL, 'LAYOUT / WIRING' DRAWINGS FOR DRILLING DETAILS OF COMPLETED FRONT HINGED PANEL WHEN REQUIRED.
- ALL DIMENSIONS ARE IN MILLIMETRES.
- MARK 4A PANEL THIS DIMENSION IS 45mm. SEE TABLE A FOR MOUNTING RAIL LENGTH.
- SUITABLE HDHC COPPER EARTH BAR TO CONNECT BETWEEN THE TWO EARTH STUDS, 220mm LONG. THE TWO HOLES TO MOUNT THE EARTH BAR ARE TO BE DRILLED 200mm APART. ALL REMAINING HOLES ARE TO BE EVENLY SPACED WITH 15mm CENTRES. ALL HOLES TO BE DRILLED TO 6.5mm Ø.

CAD DRAWING
DO NOT MANUALLY AMEND

AMENDMENTS

11. REDRAWN ON ACAD. DIM RAILS ADDED. HINGED FRONT PANEL CONSTRUCTION. STUD POSITION. DOOR LATCHING SCREW ALTERED. PWD. No. 5004359 CHECKED.

12. NOTE 1 CHANGED. DIM SECTION A-A ADDED. DIM PULL mm WAS 45mm REF. C-3. PWD. No. 5004359 CHECKED.

13. H2233 MOUNTING RAILS WERE TYPE 'C' DIM RAILS. CABINET WAS CASE. EARTH STUDS LABELLED. BELONG TO EARTH STUD P/WJ 9.4.08/2 P/WJ 9.4.08/2 CHECKED: PIE APPROVED: PIE

14. REF BOARDER CHANGED TO AUSGRID BOARDER. REF NOTES NOTE 1 DELETED. REMAINING NOTES AMENDED TO REFLECT MODERN MANUFACTURING TECHNIQUES AND AUSGRID PANEL SPECIFICATIONS. NOTES 6, 7 & 8 ADDED. REF C6, E6 & F8 NOTE NUMBERING ALTERED TO MATCH AMENDED NOTES. PANEL DEPTH DIMENSION VALUE ALTERED TO LETTER TO MATCH AMENDMENT TO TABLE A. REF F2 ADDED 'E' DIMENSION TO TABLE AND NEW PANEL TYPE - MARK 4A. REF B4 TEXT AMENDED NOTE 7 ADDED. REF B3 TO C3 NUMBER, LOCATION AND LENGTH OF EARTH STUDS AMENDED. NOTE 8 ADDED. CHECKED: M. BYRNE APPROVED: M. BENNETT

SCALE	1:10
DESIGNED	
DRAWN	OH
CHECKED	KEM
APPROVED	RM
DATE	APRIL 1995
PRJTRK No.	-
PROJECT NUMBER	5004359

WALL MOUNTED RELAY PANELS DETAILS

DRAWING No **28632** SHEET 1 AMD 14 SIZE A1

NETWORK STANDARD DESIGN AND ENGINEERING BRANCH 570 GEORGE ST SYDNEY, NSW 2000 P: 9272 3805 F: 9272 6269

C&P - x