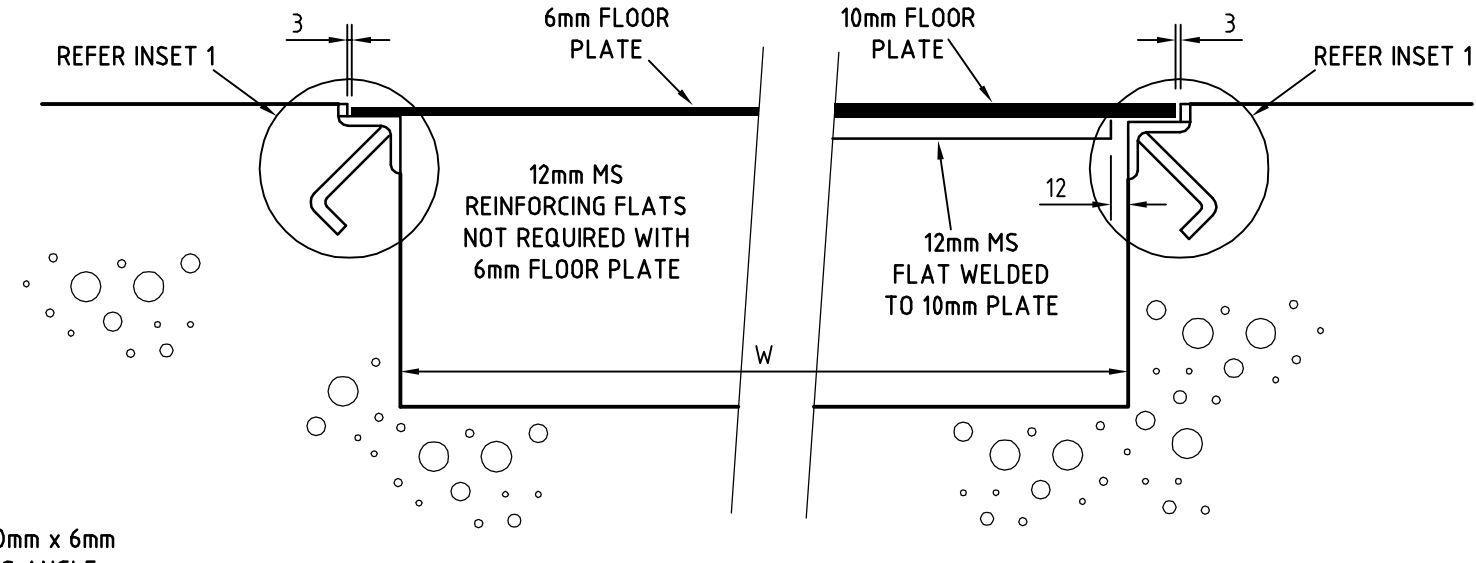
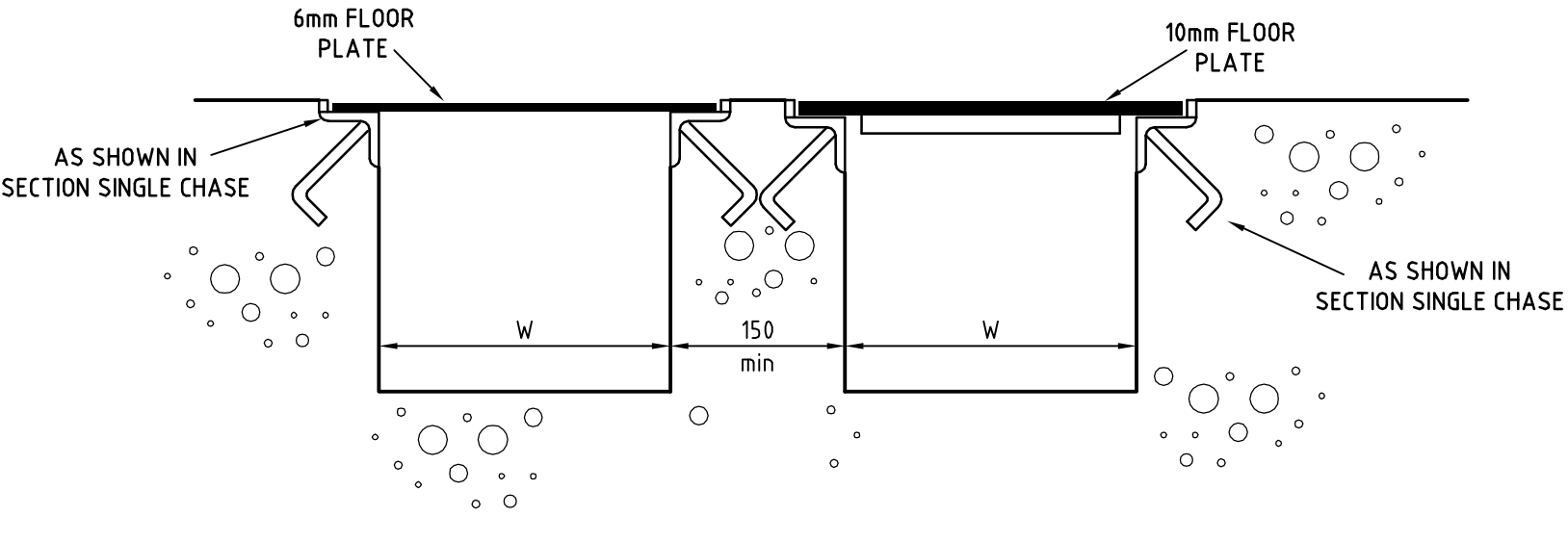


INSET 1
(SCALE 1:1)

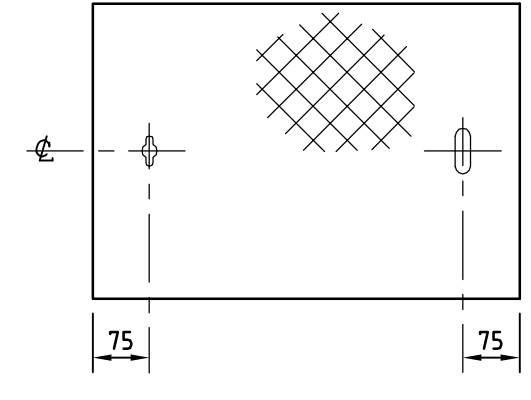


TYPICAL SECTION SINGLE CHASE
(SCALE 1:5)

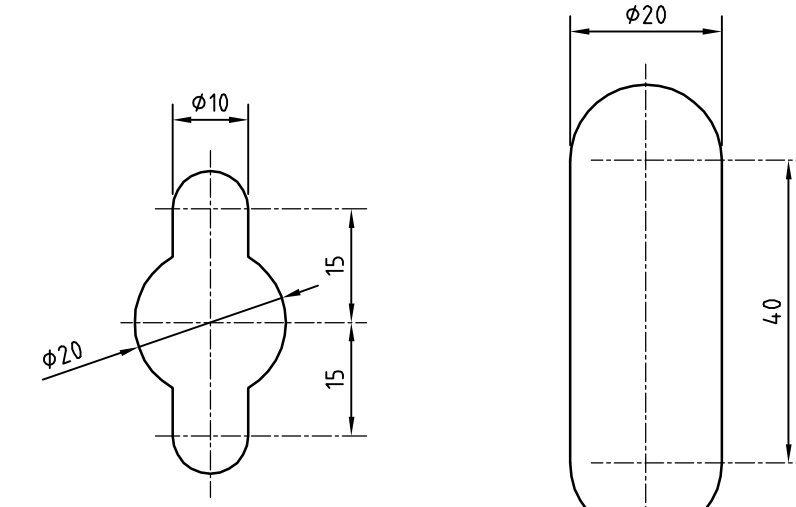


TYPICAL SECTION MULTIPLE CHASE
(SCALE 1:5)

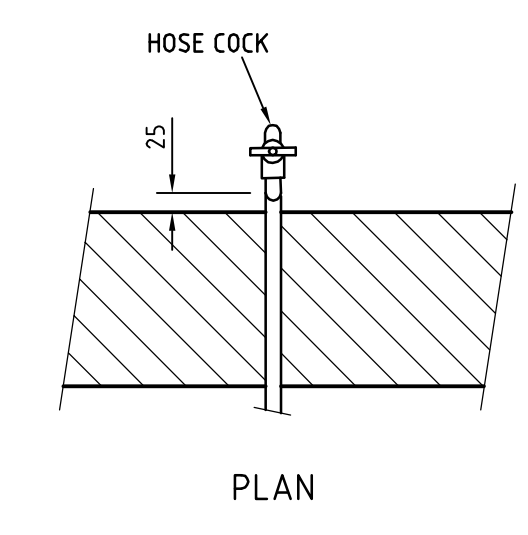
- NOTES**
1. MAXIMUM WIDTH OF CHASE (W) TO BE 500mm.
 2. ALL CHASE COVERS ARE TO BE 6mm FLOOR PLATE WITHOUT REINFORCING UNLESS THERE IS A POSSIBILITY OF TRANSFORMER MOVEMENT OVER FLOOR CHASES.
 3. 10mm FLOOR PLATE WITH 12mm THICK MS REINFORCING WELDED TO UNDERSIDE IS TO BE USED IF TRANSFORMERS CAN BE MOVED OVER FLOOR CHASES. WELDING IS TO BE 6mm INTERMEDIATE FILLET WELD - 40mm RUNS, 50mm GAPS.
 4. EACH PIECE OF FLOOR PLATE COVER MUST NOT TO EXCEED 20 kg IN WEIGHT OR 600mm IN LENGTH.
 5. EACH PIECE OF FLOOR PLATE IS TO BE FITTED WITH A LIFTING EYE AT EACH END AND BE HOT DIP GALVANISED TO AS 4680. EACH PIECE OF FLOOR PLATE IS TO BE STRAIGHTENED AFTER GALVANISING.



TYPICAL OF FLOOR PLATE COVER
SHOWING LOCATION OF LIFTING EYES



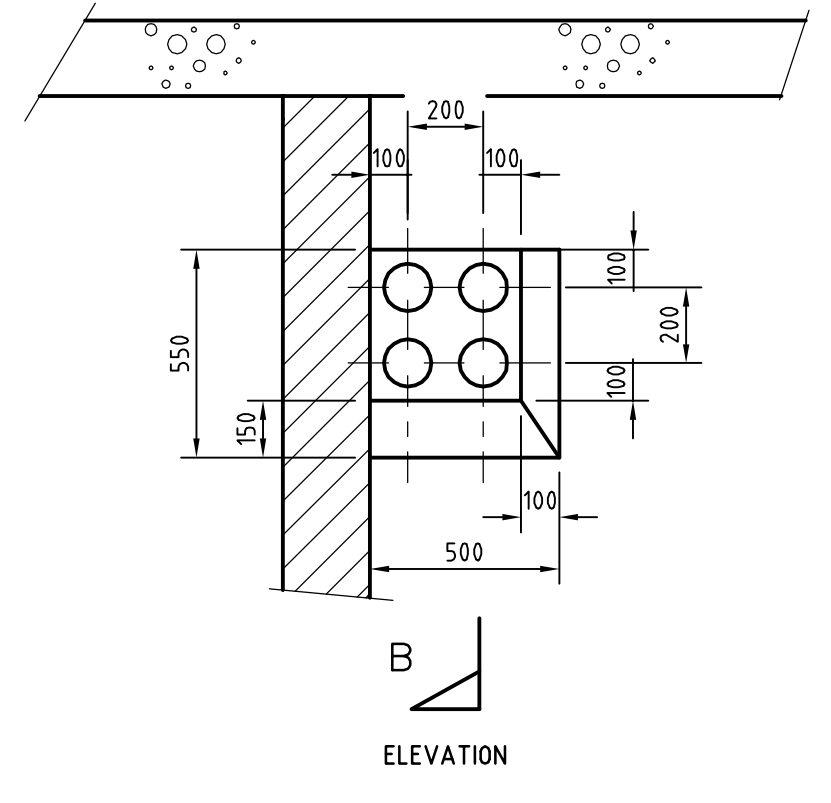
LIFTING EYE DETAILS
EITHER DETAIL IS ACCEPTABLE
(SCALE 1:1)



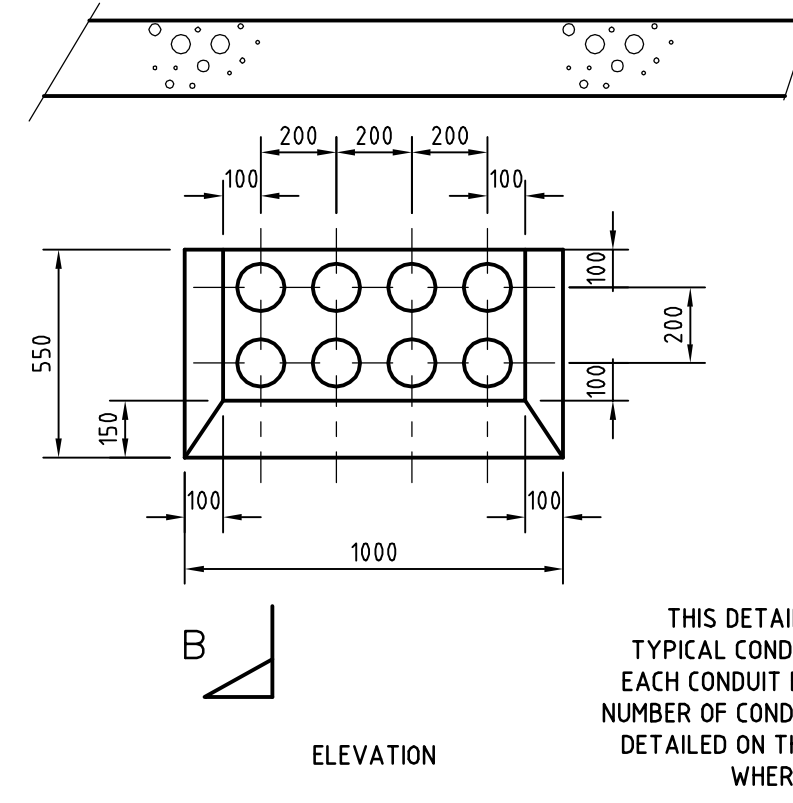
DETAIL B
WATER SERVICE
(SCALE 1:10)

NOTES

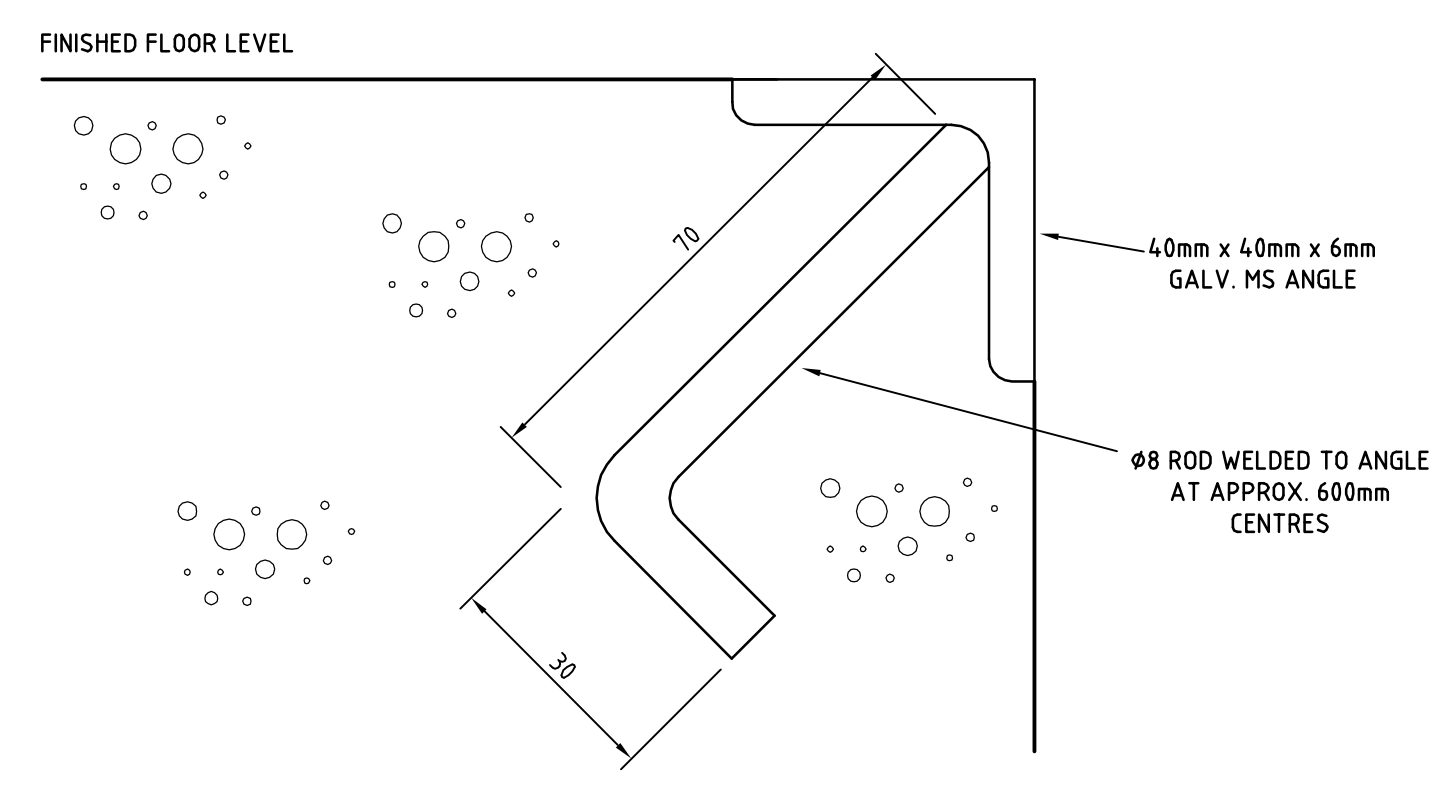
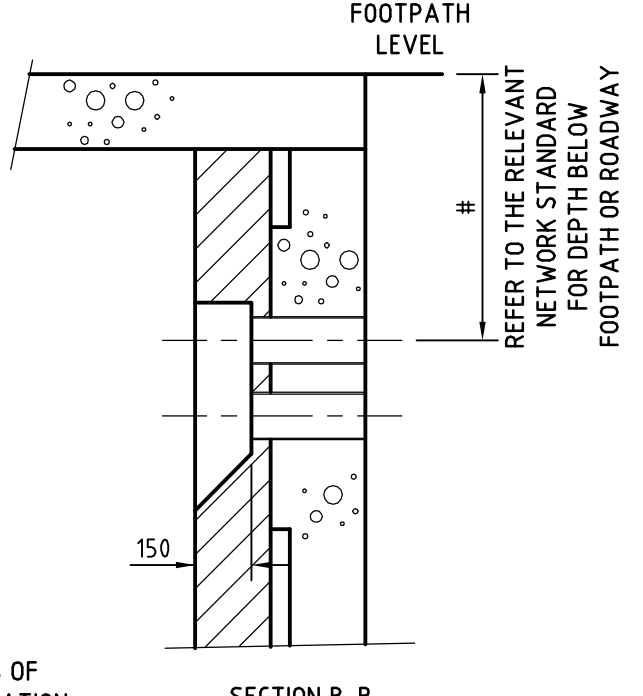
A WATER SERVICE SHALL BE INSTALLED IN ALL SUBSTATIONS AND CONTROL POINTS. IT SHALL BE OF 20mm OD COPPER PIPE WITH A WALL THICKNESS OF 1.4mm AND BE CONNECTED TO AN APPROVED SUPPLY. A SHORT LENGTH OF PIPING ONLY SHALL BE EXPOSED WITH A CONTROL VALVE IN AN ACCESSIBLE POSITION. THE WATER SERVICE IS TO BE LOCATED WHERE SHOWN ON THE SUBSTATION LAYOUT DRAWING.



DETAIL C
TYPICAL CONDUIT ENTRY THROUGH WALL
(SCALE 1:20)

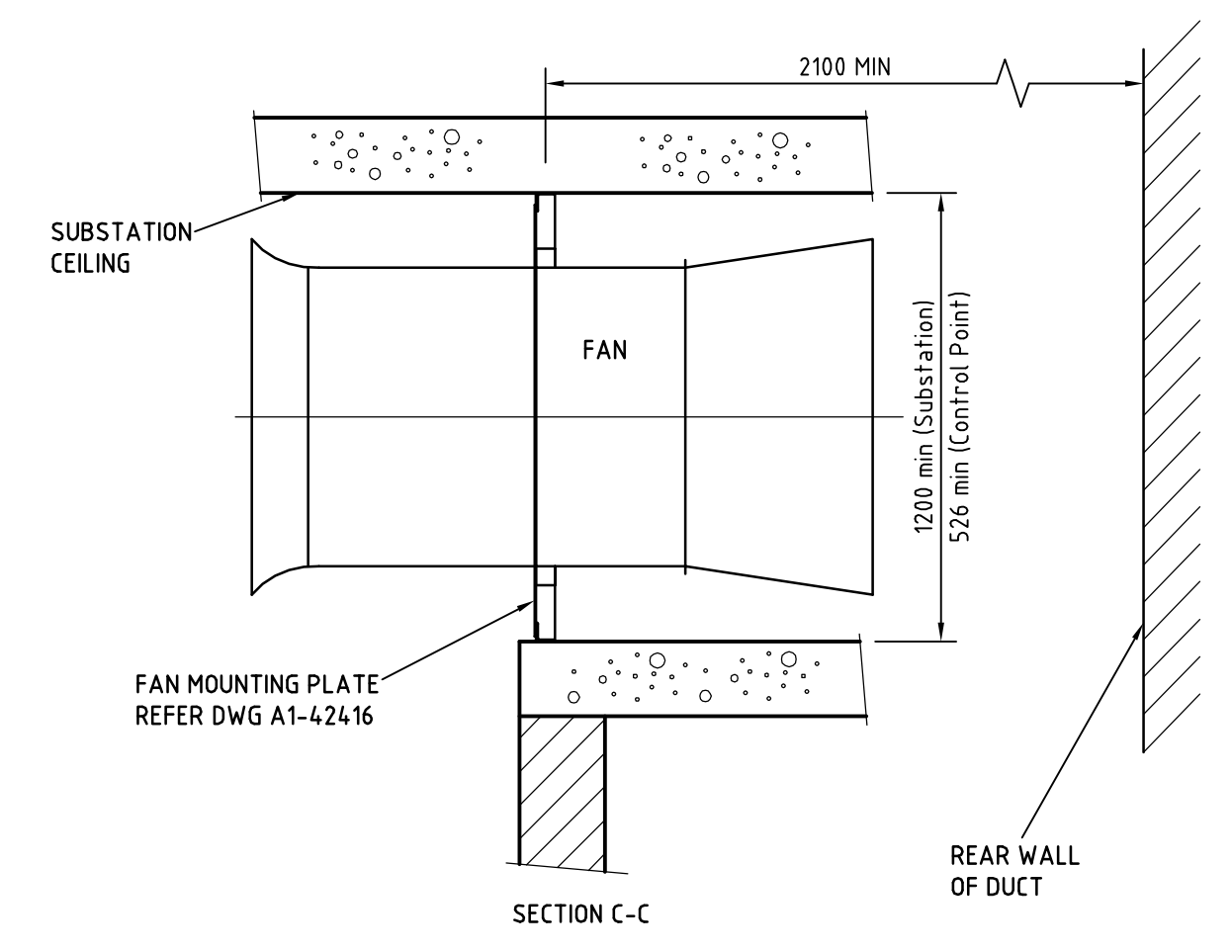
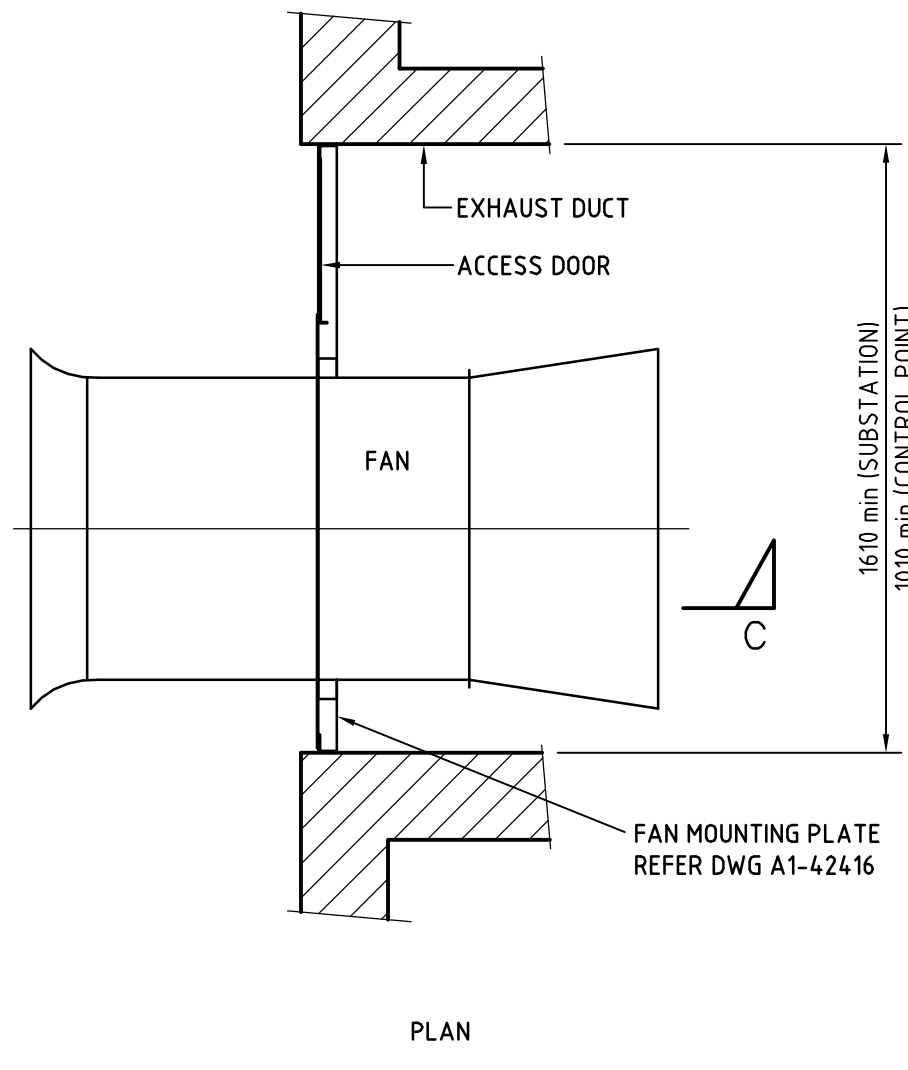


THIS DETAIL SHOWS TWO VARIATIONS OF TYPICAL CONDUIT ENTRIES INTO A SUBSTATION. EACH CONDUIT ENTRY MAY INVOLVE A DIFFERENT NUMBER OF CONDUITS. EACH ENTRY WILL NEED TO BE DETAILED ON THE SUBSTATION LAYOUT DRAWING WHERE THERE IS A VARIATION.

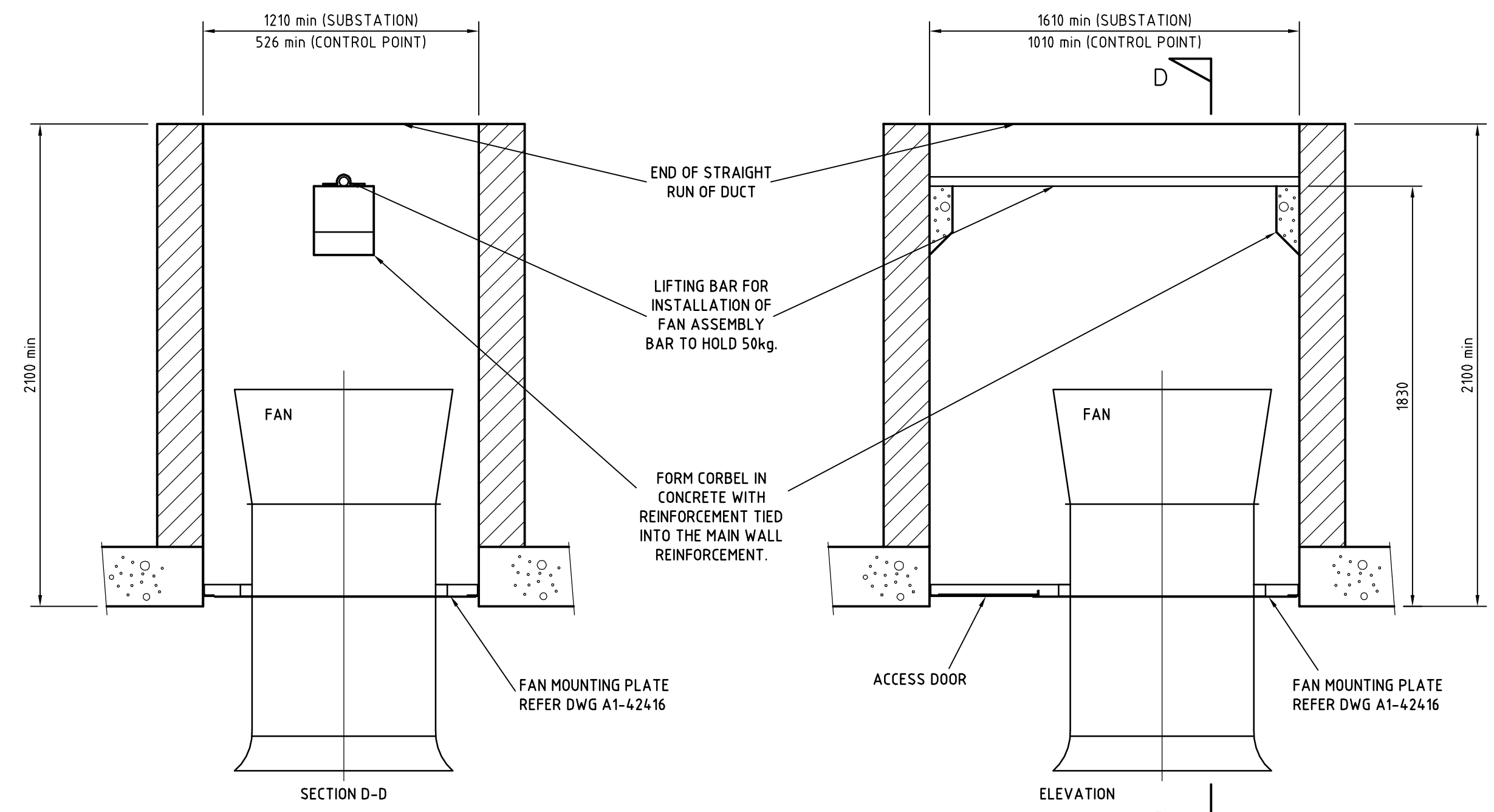


DETAIL D
ANGLE NOSING
(SCALE 1:1)

THIS DRAWING IS TO BE READ IN CONJUNCTION WITH THE RELEVANT NETWORK STANDARD AND THE SUBSTATION LAYOUT DRAWING



DETAIL E
WALL TYPE INSTALLATION OF OUTLET VENTILATION FAN FOR CONTROL POINTS & CBD SUBSTATIONS
(SCALE 1:20)



DETAIL F
CEILING TYPE INSTALLATION OF OUTLET VENTILATION FAN FOR CONTROL POINTS & CBD SUBSTATIONS
(SCALE 1:20)

CAD DRAWING
2017 MODIFIED AND
A1 EDITIONS
IF ANY DRAWING HAVE
BEEN MADE BY THE
BOARD SUPPORT &
REMOVABLE PULLING RING
DETAILS DELETED.
RENUMBERED.
SPLIT LUG PIT EDGING AND
ANGLE NOSING ALTERED TO
WELDED AND NOTES UPDATED.
DETAIL NOTES UPDATED.
LIFTING EYE OPTIONS SHOWN
IN FLOOR PLATE COVERS.
CONDUIT ENTRY IN SECTION
WAS ALTERED TO REMOVE
SOCKETS.
PJM 02-2010-1-5-1
P.JARVIS 22.8.11
MISCELLANEOUS
APPROVED: P.TURPIN

FOR CONSTRUCTION



NETWORK STANDARD
SCALE
DESIGNED
DRAWN
CHECKED
APPROVED
DATE
PROJECT NUMBER
PROJTRAK NUMBER

AS SHOWN
SIGNED ON ORIGINAL

STANDARD SUBSTATION DESIGN
CONSTRUCTION DETAILS
MISCELLANEOUS

SIZE B1 DRAWING NO 48008 SHEET 1 AMB 13