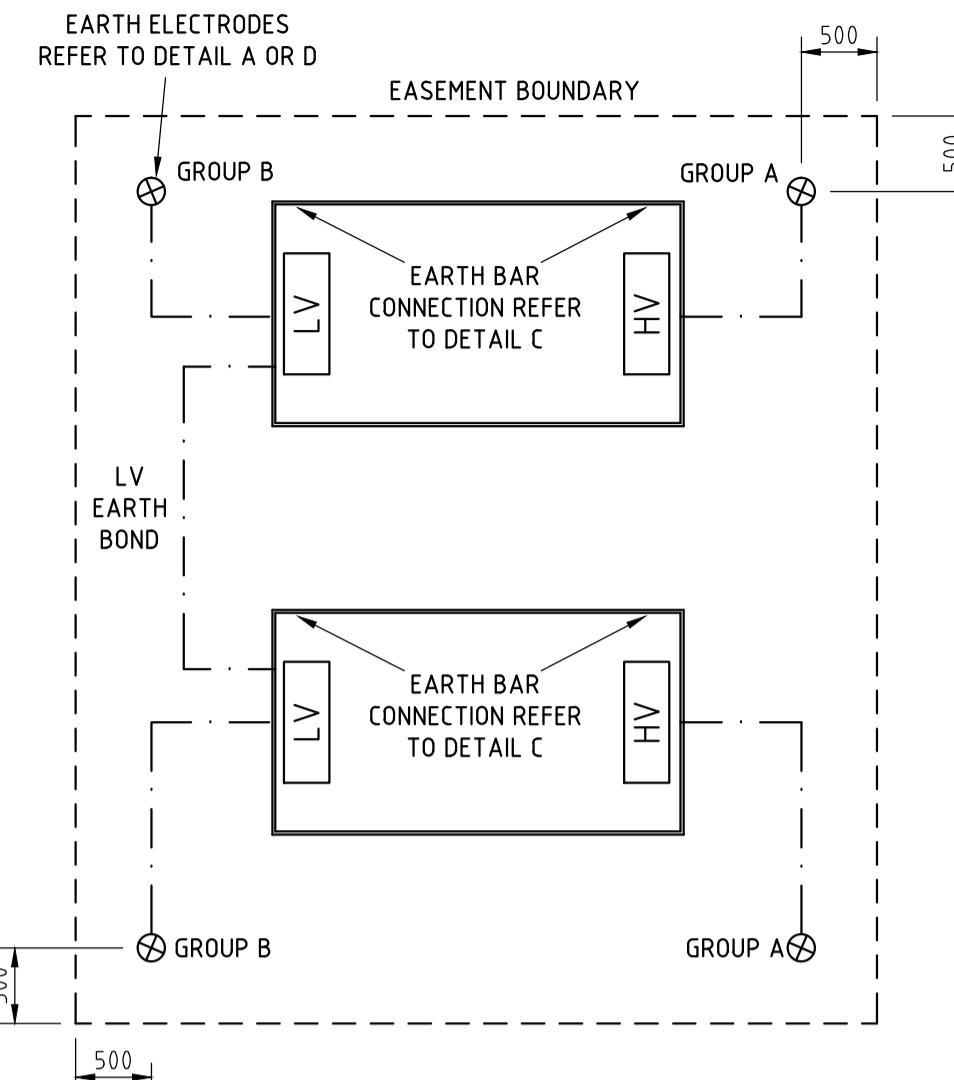


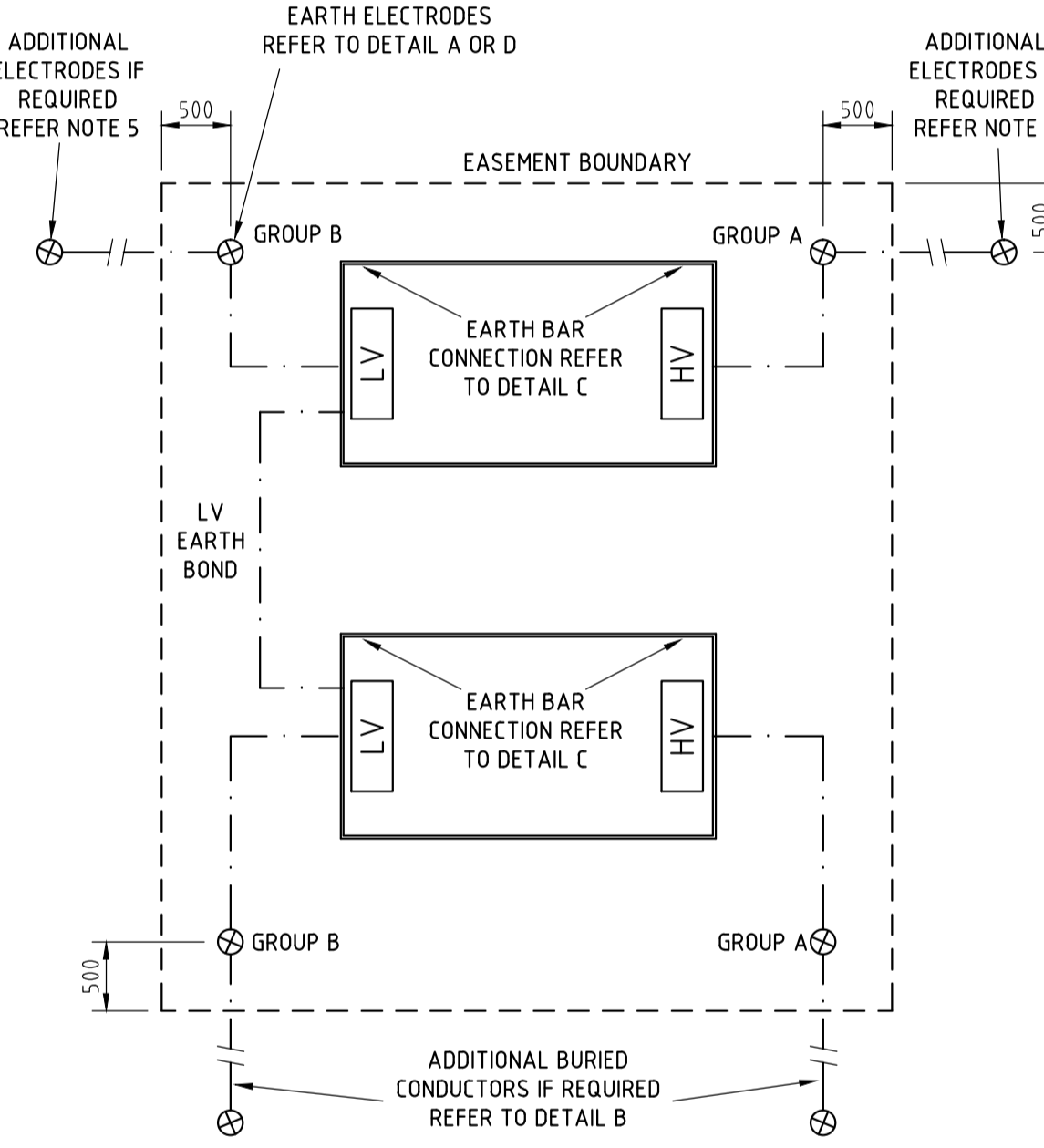
**SCHEMATIC DIAGRAM**

**NOTES**

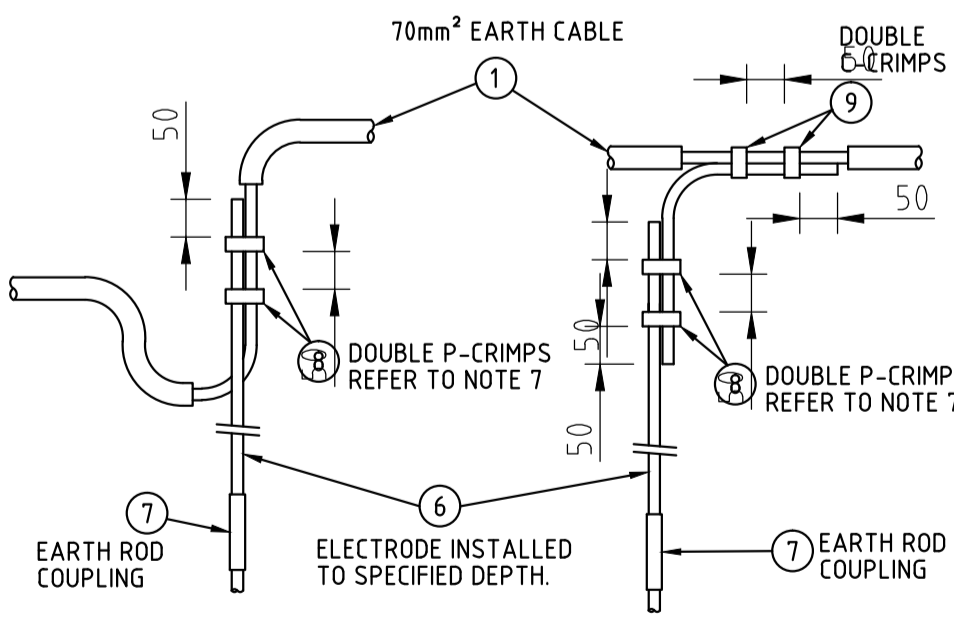
- THIS DRAWING DETAILS STANDARD MINIMUM AND TYPICAL SITE SPECIFIC DOUBLE KIOSK SUBSTATION EARTHING LAYOUTS. A SITE SPECIFIC DESIGN IS REQUIRED FOR EACH SITE THAT DOES NOT MEET THE CRITERIA FOR STANDARD MINIMUM EARTHING NOMINATED IN NS116. REFER TO NS116, NS117 AND NS141 FOR ADDITIONAL INFORMATION.
- WHERE KIOSKS ARE INSTALLED ON SUPPORTING STRUCTURES REFER TO DRAWING 151572 FOR EARTHING CONDUIT INSTALLATION REQUIREMENTS.
- WHERE KIOSKS ARE INSTALLED ON SUPPORTING STRUCTURES AND EARTHING CABLES ARE TO BE INSTALLED THROUGH FLOORS OF BUILDINGS BELOW SUPPORTING STRUCTURES, THEN THE ARRANGEMENT FOR CABLES TO ELECTRODES SHOULD FOLLOW THE SIMILAR REQUIREMENTS FOR CHAMBER SUBSTATIONS AS PER NS113 AND DRAWING 25121.
- MINIMUM SPACING BETWEEN ELECTRODES SHALL BE 3m UNLESS STATED IN THE INDIVIDUAL SITE EARTHING DESIGN.
- WHERE THE INDIVIDUAL SITE EARTHING DESIGN CALLS FOR MORE THAN 2 ELECTRODES PER GROUP THEN ADDITIONAL ELECTRODES MUST BE INSTALLED IN A CABLE EASEMENT OR THE CABLE ALLOCATION IN THE FOOTPATH AREA.
- WHERE CABLES AND / OR CONDUITS ALREADY EXIST IN A FOOTPATH CABLE ALLOCATION, IT MAY NOT BE FEASIBLE FOR THE EARTHING CONDUCTORS TO BE INSTALLED AT THE DEPTH INDICATED IN DETAIL B. IN THESE CASES, THE PREFERRED ALTERNATIVE IS FOR THE EARTHING CONDUCTORS TO BE INSTALLED IN THE POLE LINE ALLOCATION, IN ACCORDANCE WITH NS 116. IF INSTALLATION IN THE POLE LINE ALLOCATION IS NOT FEASIBLE, THEN THE EARTHING CONDUCTORS MAY BE INSTALLED IN THE CABLE ALLOCATION AT A DEPTH OF NOT LESS THAN 500mm AND A CLEARANCE OF NOT LESS THAN 100mm FROM DIRECT BURIED CABLES.
- 'P' CRIMPS ARE TO BE INSTALLED WITH THE CLOSED SECTION AROUND THE 70mm<sup>2</sup> CONDUCTOR AND THE OPEN SECTION AROUND THE EARTH ROD.
- ALL 70mm<sup>2</sup> EARTH CABLE TO BE BLACK INSULATED STRANDED COPPER CONDUCTOR, EXCEPT FOR GPO AND METERING CABLING WHICH IS TO BE 2.5mm<sup>2</sup> PVC INSULATED 7/0.67 STRANDED COPPER CONDUCTOR.
- EACH INDIVIDUAL DOOR AND ACCESS HATCH FOR KIOSKS WITH A METAL ENCLOSURE IS TO BE CONNECTED TO KIOSK ENCLOSURE WITH A STRANDED COPPER CABLE OR BRAID OF NOT LESS THAN 70mm<sup>2</sup>. A SEPARATE CONNECTION IS TO BE PROVIDED FOR EACH DOOR LEAF AND HATCH. THE KIOSK ENCLOSURE IS TO BE CONNECTED TO KIOSK FRAME CABLE OR BRAID OF NOT LESS THAN 70mm<sup>2</sup> AT A MINIMUM OF TWO SEPARATE ACCESSIBLE LOCATIONS.
- THE HV SWITCH EARTH BAR MAY BE ONE CONTINUOUS BAR OR A SEPARATE BAR FOR EACH END BOX. IF SEPARATE BARS ARE USED THEY ARE TO BE RING CONNECTED WITH A MINIMUM OF 70mm<sup>2</sup> CABLE TO THE KIOSK EARTH BAR.
- SPARE HOLES IN THE EARTH BAR ARE REQUIRED FOR ADDITIONAL FUTURE CONNECTIONS.
- WHERE GROUND CONDITIONS PERMIT, ELECTRODES ARE TO BE DRIVEN USING APPROPRIATE ROD DRIVERS AND DRIVING HEADS. WHERE GROUND CONDITIONS REQUIRE BORE HOLES, A 35mm DIAMETER HOLE FOR ROCK OR A 50mm DIAMETER HOLE FOR CLAY IS TO BE BORED FOR EACH EARTH CABLE. AN APPROVED EARTHING COMPOUND IS TO BE PUMPED INTO THE BORE HOLE AFTER BARE EARTH CABLE HAS BEEN INSTALLED. ALL ELECTRODE AND EARTH CABLE INSTALLATIONS ARE TO BE AT THE DEPTH SPECIFIED IN THE EARTHING DESIGN.



**SITE PLAN D**

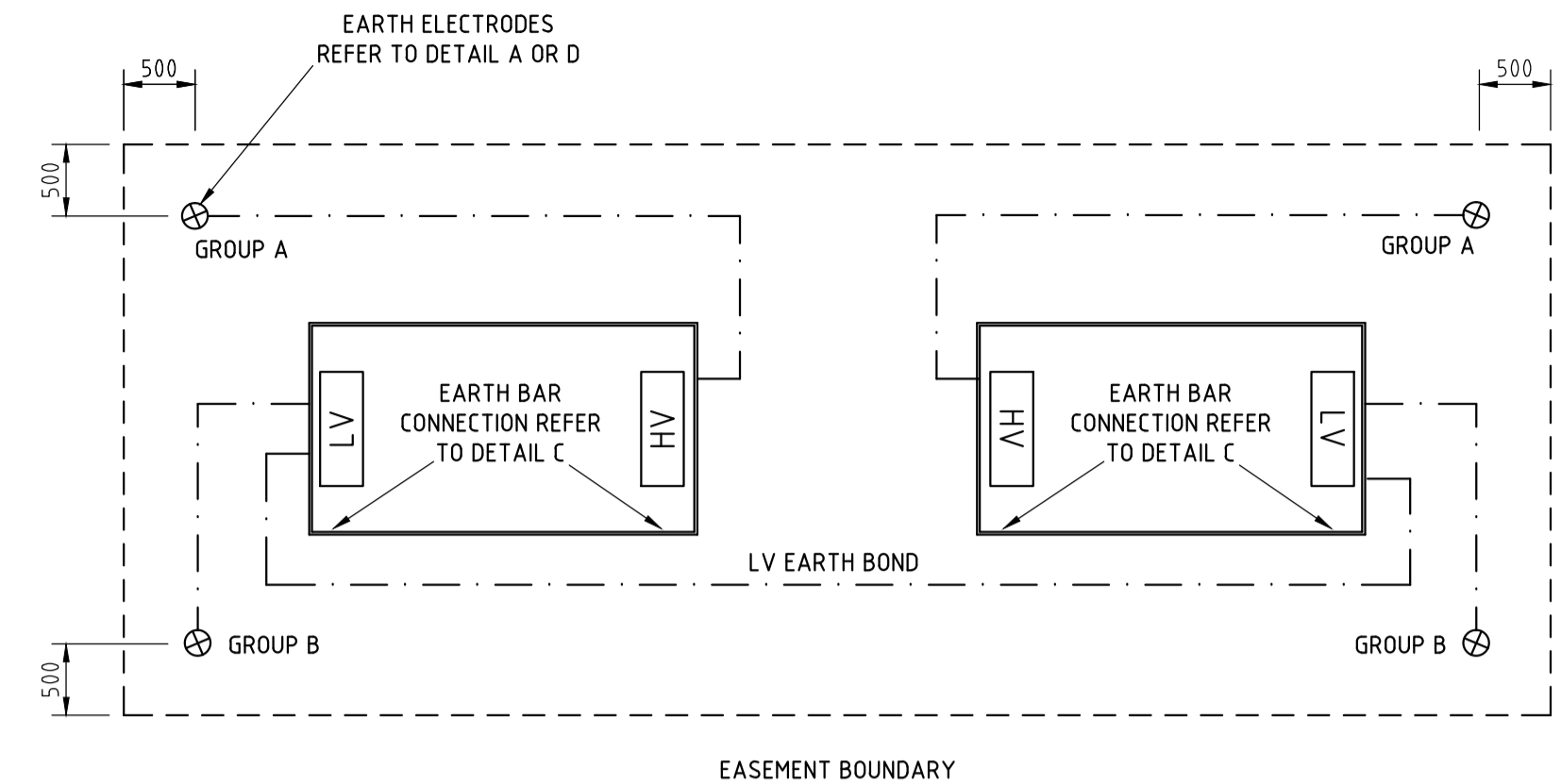


**SITE PLAN E**



**DETAIL A**

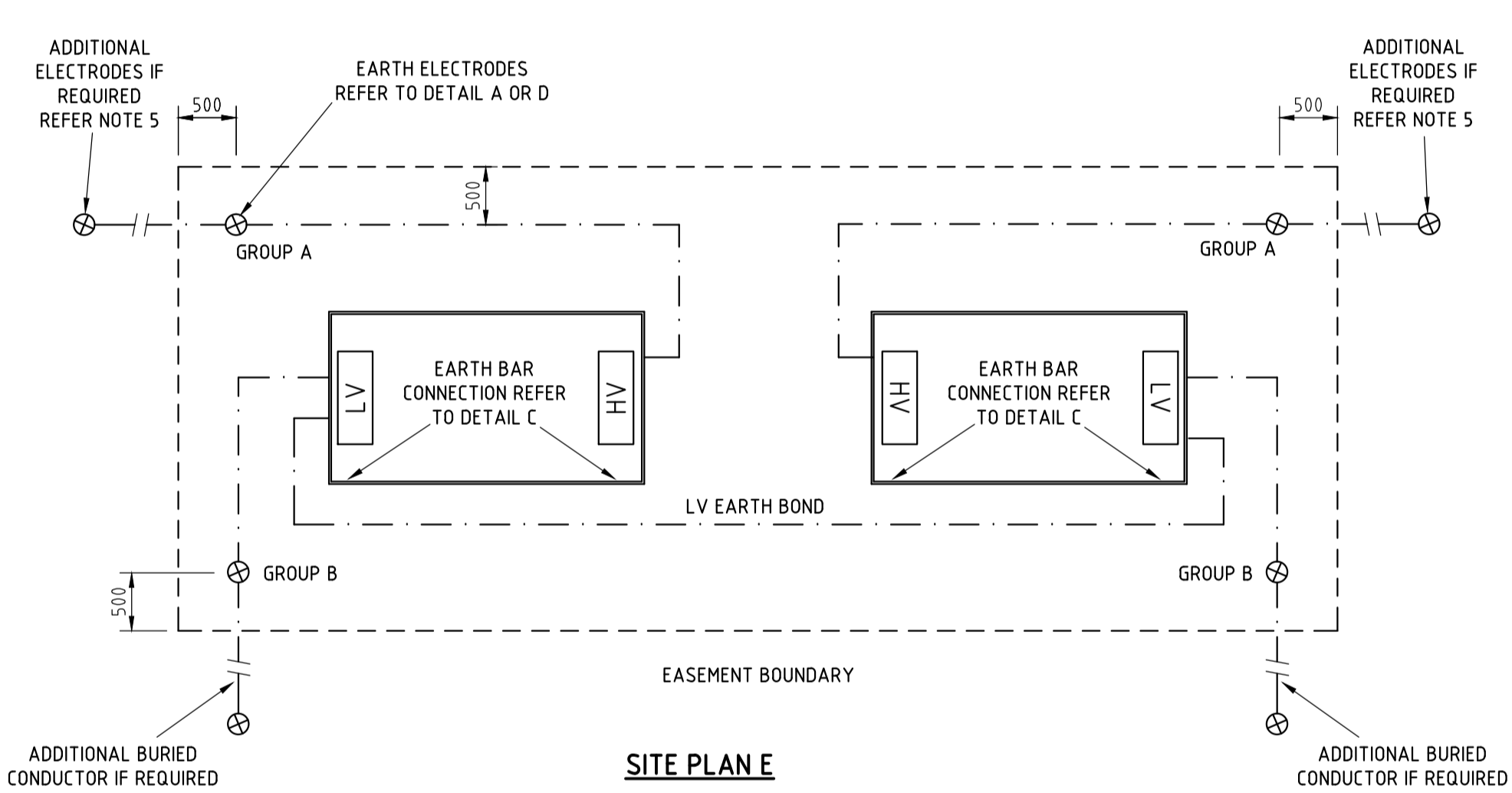
**STANDARD MINIMUM EARTHING DESIGN (SME)**



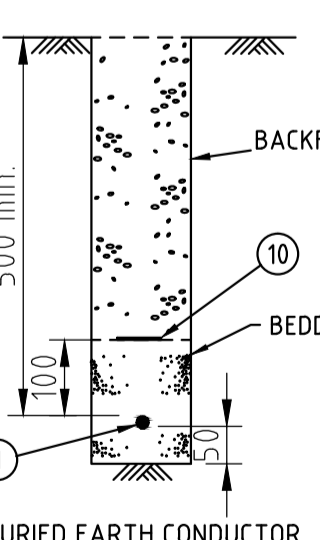
**SITE PLAN E**

**TYPICAL EARTHING DESIGN**

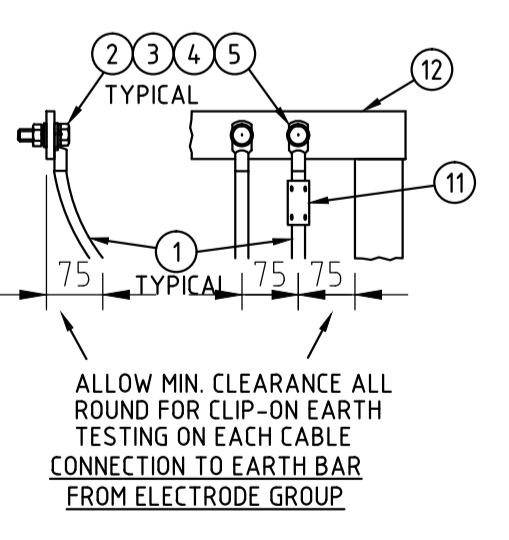
IF THE KIOSK SITE DOES NOT MEET THE CRITERIA FOR STANDARD MINIMUM EARTHING, AN SITE SPECIFIC EARTHING DESIGN MUST BE UNDERTAKEN



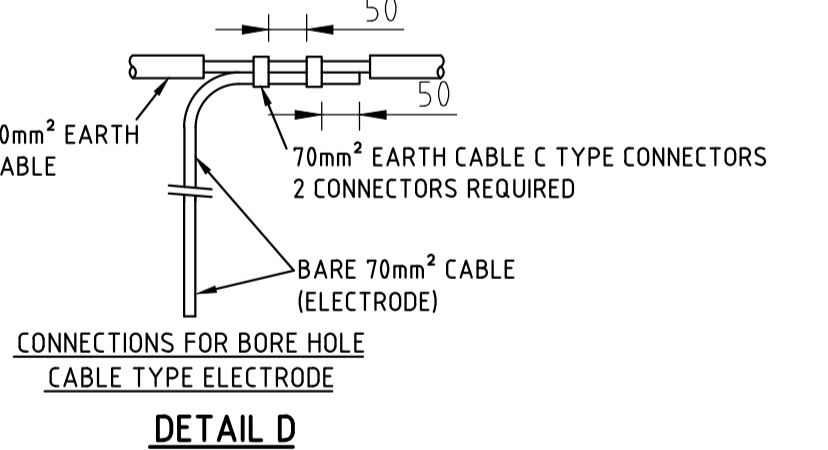
**SITE PLAN E**



**DETAIL B**



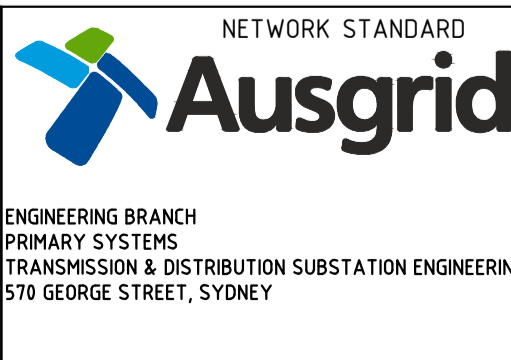
**DETAIL C**



**DETAIL D**

ITEM No	DESCRIPTION	STOCK CODE	QTY.
12	EARTH BAR, TINNED COPPER (AS PER SCHEMATIC)		
11	PERMANENT LABEL WORDING "EARTH ELECTRODES GROUP A" OR "B"		AS REQD
10	PVC/POLYMERIC CABLE COVER - 150mm WIDE MARKED "ELECTRICAL CABLE"	151084	AS REQD
9	'C' CRIMP CONNECTOR TO SUIT 70mm <sup>2</sup> CONDUCTOR	177942	AS REQD
8	'P' CRIMP CONNECTOR TO SUIT 70mm <sup>2</sup> CONDUCTOR	H31699	AS REQD
7	ø15mm EARTH ROD COUPLERS	H31649	AS REQD
6	EARTH ROD - ø15mm - 1800 LONG COPPER COATED PER NS 116 - MIN. OF 3 PER 5m ELECTRODE	H31631	AS REQD
5	BELLEVILLE WASHER M12 STAINLESS STEEL	175903	1 PER BOLT
4	FLAT WASHER M12 STAINLESS STEEL	49429	2 PER BOLT
3	HEX BOLT & NUT M12 S.S TO A.S. 316 - LENGTH TO SUIT		AS REQD
2	LUG HEX. COMPRESSION M12 TO SUIT 70mm <sup>2</sup>	74831	AS REQD
1	BLACK INSULATED STRANDED COPPER CONDUCTOR - 70mm <sup>2</sup>	60111	AS REQD

**STANDARD CONSTRUCTION DOUBLE KIOSK SUBSTATIONS COMBINED HV/LV EARTHING DETAILS**



SCALE	AS SHOWN
DESIGNED	
DRAWN	
CHECKED	
APPROVED	
DATE	
PROJECT NUMBER	
PROJ/TRAK NUMBER	

SIZE	DRAWING No	SHEET	AMD
A1	167434	1	5

**CONSTRUCTION**