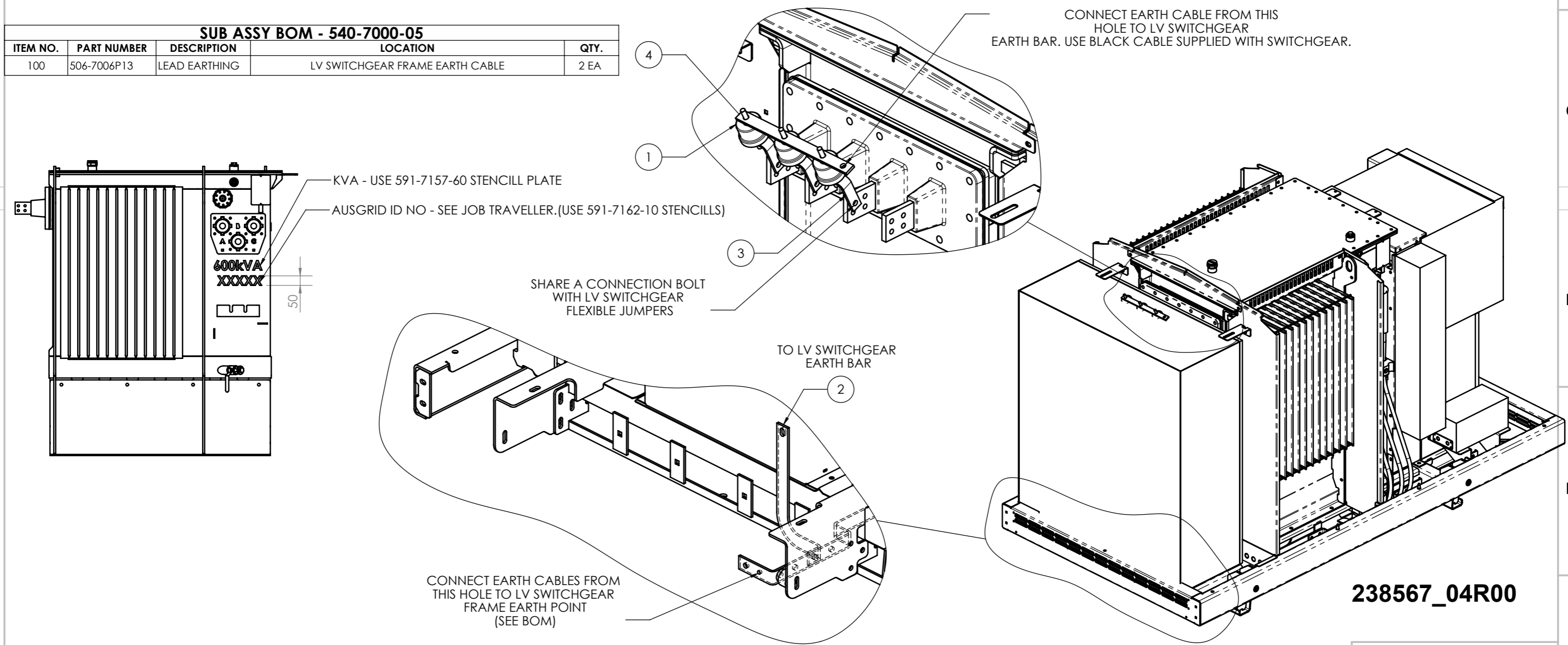


BOM CONFIGURATION TABLE						
ITEM NO.	PART NO.	DESCRIPTION	881-A007-11-AB/QTY. (AUSGRID ITEM 10)	881-A007-11-AC/QTY. (AUSGRID ITEM 11)	881-A007-11-AD/QTY. (AUSGRID ITEM 12)	881-A007-11-AE/QTY. (AUSGRID ITEM 17)
1	007-7008N10	SURGE ARRESTOR LV 510V 5kA	3	3	3	3
2	061-7484-29	BUSBAR	1	1	1	1
3	061-7484-32	BUSBAR	3	3	3	3
4	061-7484-33	BUSBAR	1	1	1	1
5	123-7045-01	AUSGRID DM&C CONTROLL BOX - CUSTOMER SUPPLIED ITEM	1	1	1	1
6	123-7046-01	AUSGRID DM&C BATTERY BOX - CUSTOMER SUPPLIED ITEM	1	1	1	1
7	123-7047-01	AUSGRID DM&C ARIEL - CUSTOMER SUPPLIED ITEM	1	1	1	1
8	133-A007-01	CONTROLL WIRING / CIRCUIT DIAGRAM	1	-	-	-
9	133-A007-02	CONTROLL WIRING / CIRCUIT DIAGRAM	-	1	-	-
10	133-A007-03	CONTROLL WIRING / CIRCUIT DIAGRAM	-	-	1	-
11	133-A007-04	CONTROLL WIRING / CIRCUIT DIAGRAM	-	-	-	1
12	540-7000-05	CONTRACT - MRP ITEMS	1	1	1	1
13	665-7800-01	BATTERY BOX GLAND PLATE	1	1	1	1
14	787-7997-24	SWITCHGEAR SUPPORT	2	2	2	2
15	816-7646-02	SWITCHGEAR SCHNEIDER EZE102 - 1600A/4 WAY	-	1	-	-
16	816-7646-03	SWITCHGEAR SCHNEIDER EZE103 - 1600A/ 3 WAY	1	-	-	-
17	816-7646-04	SWITCHGEAR SCHNEIDER EZE104 - 1600A/3 WAY	-	-	1	-
18	816-7646-06	SWITCHGEAR SCHNEIDER EZE106 - 1600A/2 WAY	-	-	-	1
19	881-A007-12	KIOSK TRANSFORMER 600kVA - NO LV SWITCHGEAR	1	1	1	1

SUB ASSY BOM - 540-7000-05				
ITEM NO.	PART NUMBER	DESCRIPTION	LOCATION	QTY.
100	506-7006P13	LEAD EARTHING	LV SWITCHGEAR FRAME EARTH CABLE	2 EA



238567_04R00

FINISH: N/A

SHEET SIZE A3

THIRD ANGLE PROJ.

All Welds to conform to AS 1554 sections 1 to 6, Cat.GP & 2B, unless specified otherwise.

Min Weld Size	Thickness of thinnest part	Min.weld size
≤ 6mm	≤ 6mm	Thinnest mat. thickness
> 6mm to 8 mm	> 6mm	6 mm
> 10 mm	> 10 mm	Thinnest mat. less 2 mm

Butt weld DDT to be "Incomplete penetration butt weld"

TOLERANCE UNLESS OTHERWISE STATED

LINEAR	ANGULAR
1 ±1 (0-2000)	1 ±1°
1 ±3 (>2000)	1.0 ±1°
1.0 ±0.5	1.00 ±0.05°
1.00 ±0.05	



WILSON TRANSFORMER CO. PTY. LTD.
ACN 004 216 979

DESCRIPTION

KIOSK TRANSFORMER 600kVA

SCALE 1:20 PAGE 4 OF 4 FILE NO. 881-A007-11

ALL DIMENSIONS ARE IN mm UNLESS OTHERWISE STATED

REV

J