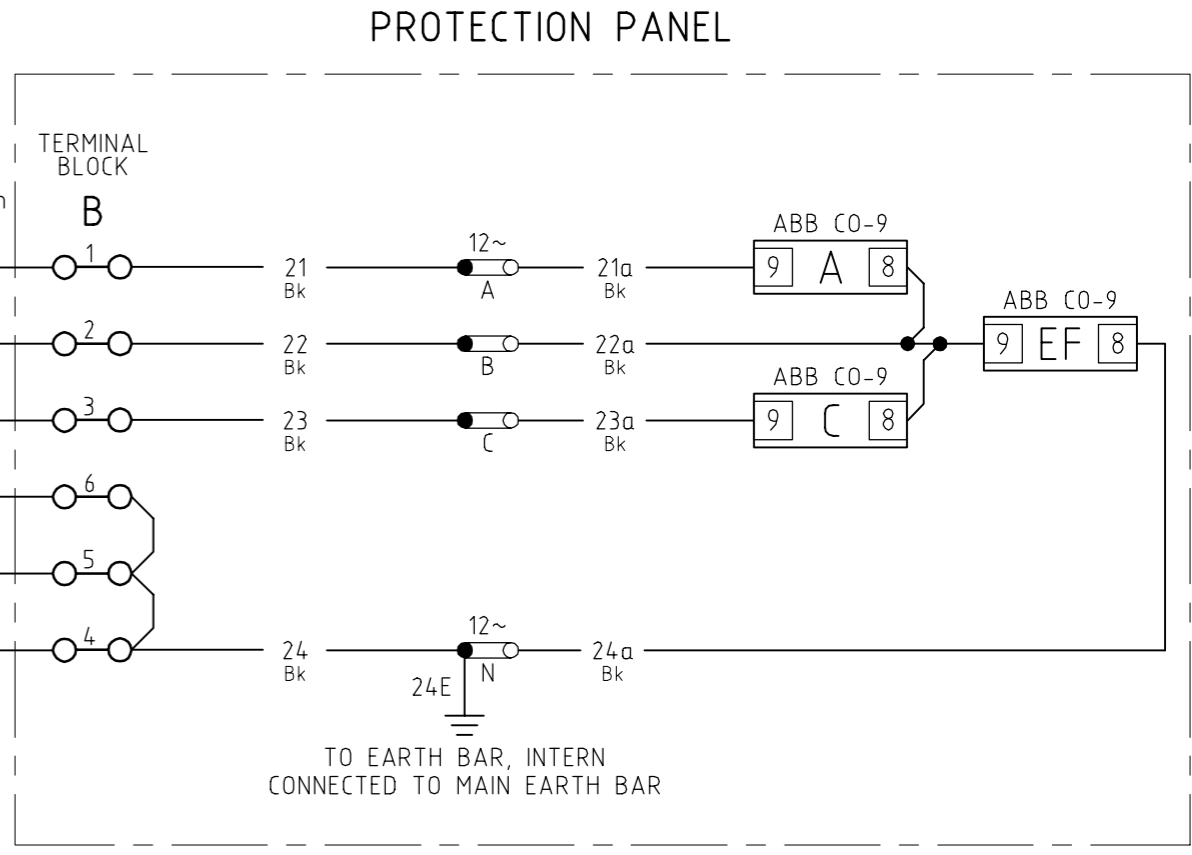
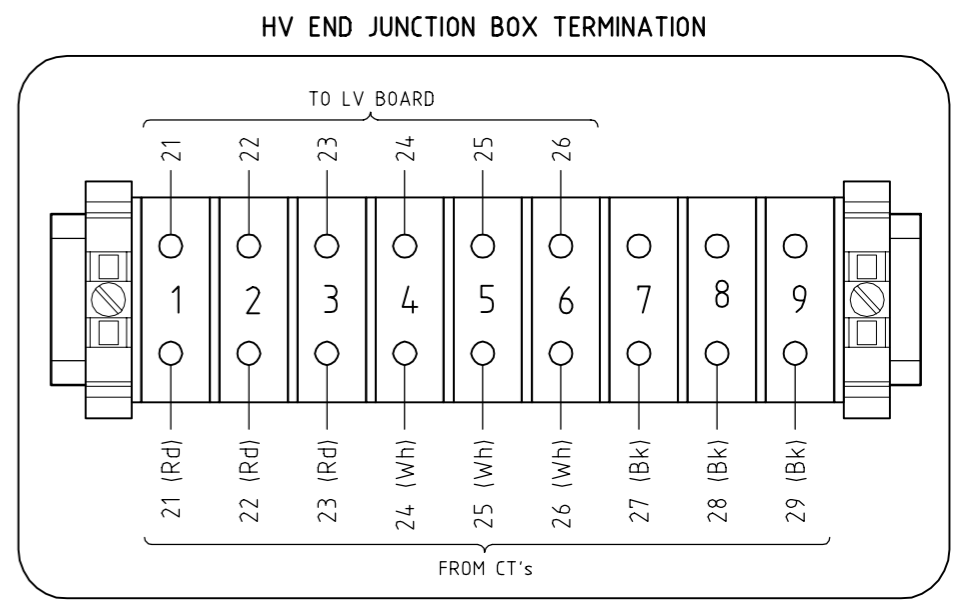


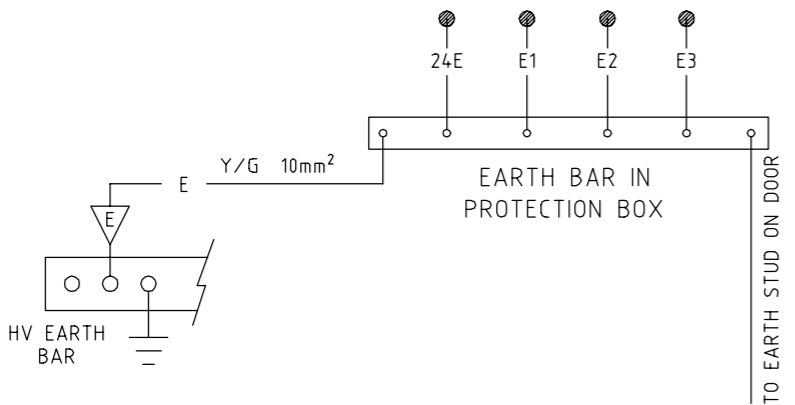
HV COMPARTMENT



PROTECTION PANEL



HV END JUNCTION BOX TERMINATION



EARTHING ARRANGEMENT

242599_01r00

				STATUS IFC		THIS DRAWING IS THE PROPERTY OF SCHNEIDER ELECTRIC (AUST.) PTY LTD ABN 42 004 969 304	PROJECT			
				PRODUCT TYPE			AUSGRID			
				SET No. 66403226			CONTRACT AG2869/11, ITEM #35			
				PART		TITLE		HIGH VOLTAGE CUSTOMER SUBSTATION		
03	24/10/2016	CHANGE OF EFI. BATTERY DANGER LABEL	BC	WH	DRAWN BC	REVIEWED WH	APPROVED WH	12kV RM6 KIOSK		
02	28/9/2015	ISSUED FOR CONSTRUCTION	RAH	WH	DATE 24/10/2016	DATE 24/10/2016	DATE 24/10/2016	HV PROTECTION AC SCHEMATIC DIAGRAM		
REV	DATE	DETAILS OF REVISION	DRAWN	APPR	DATE	DATE	DATE	SHEET 1 of 4		