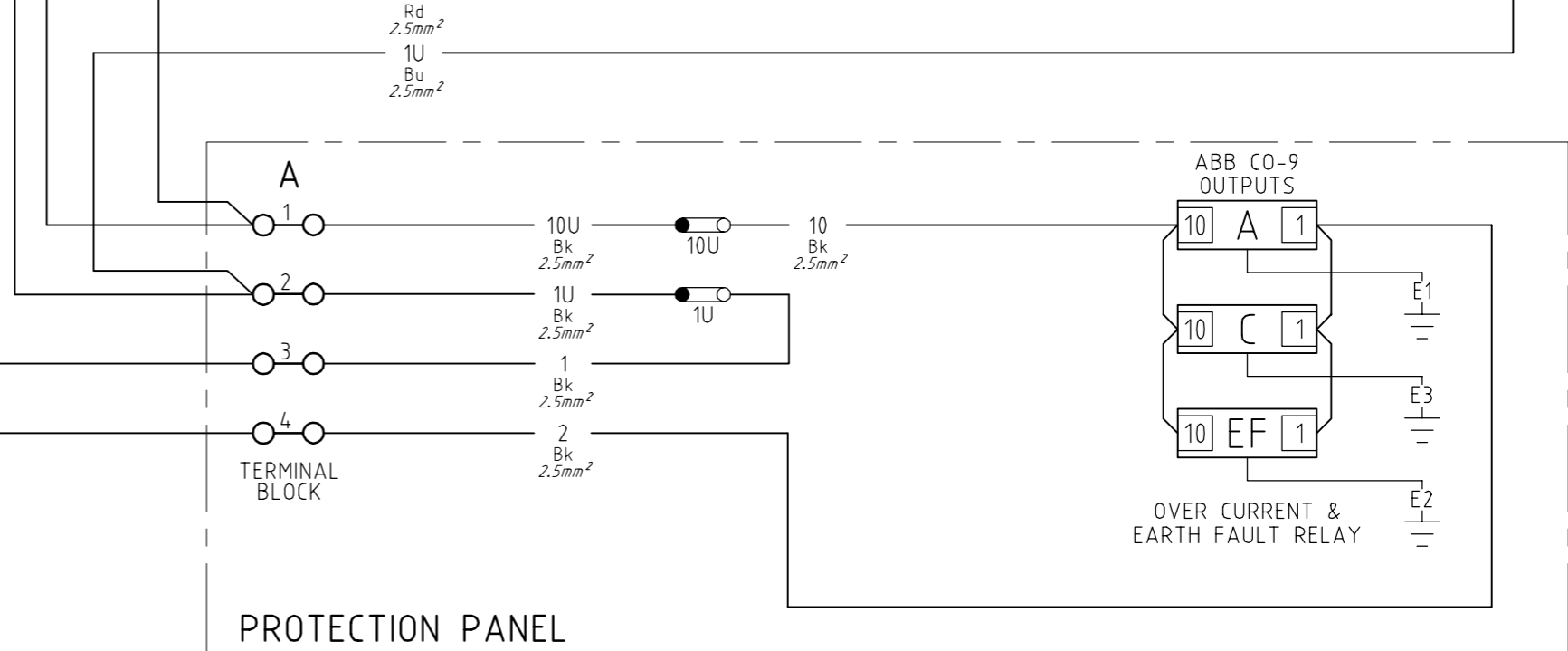
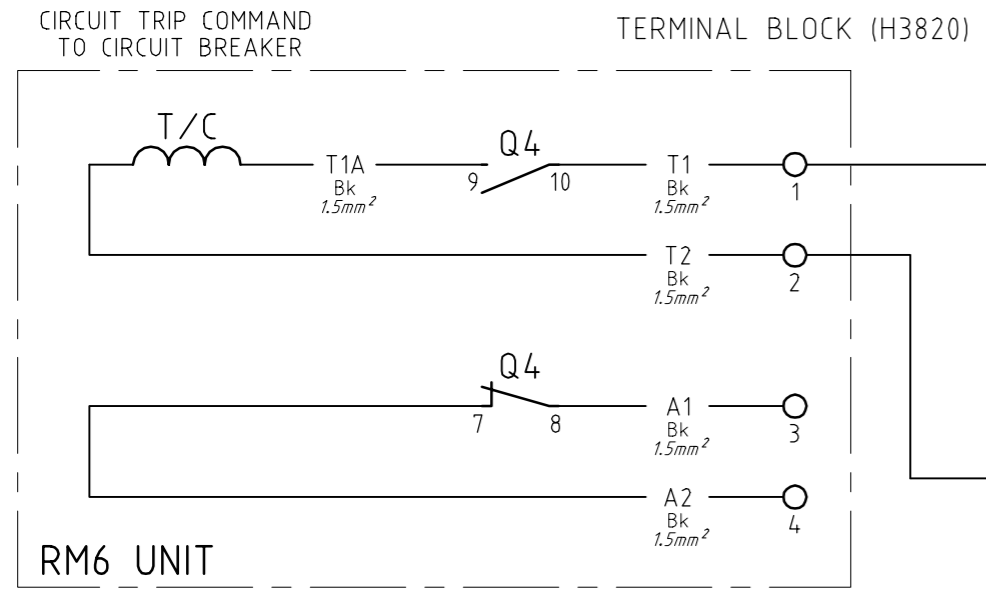
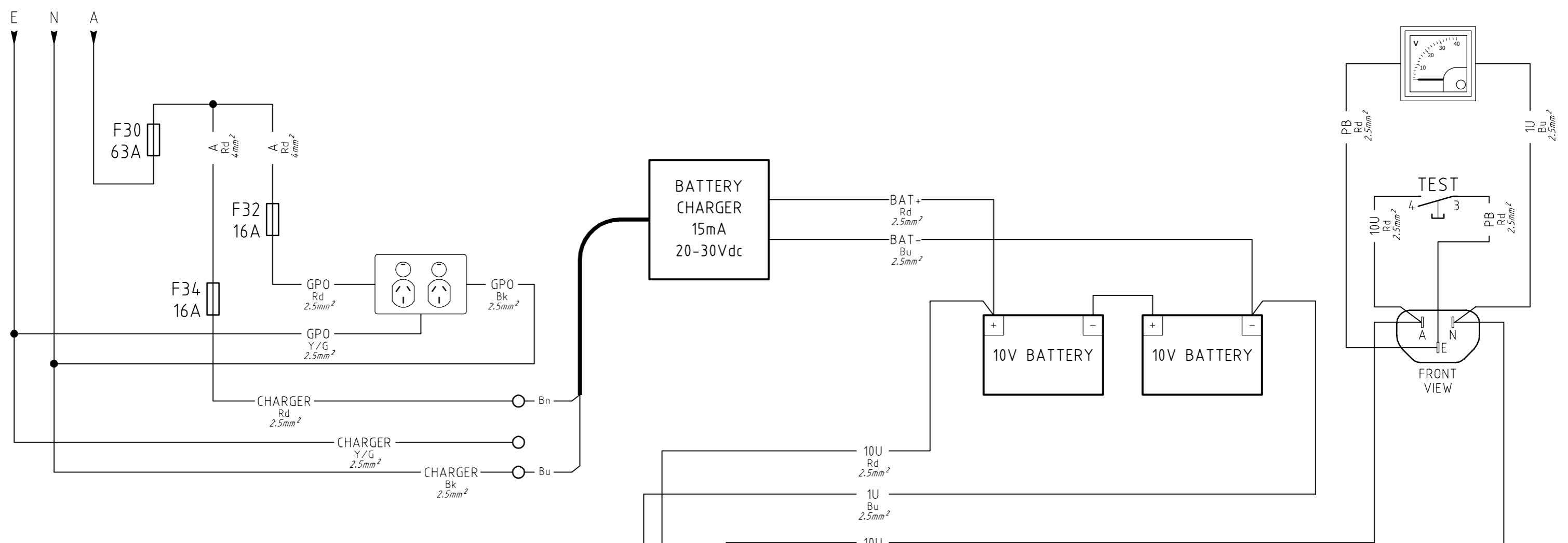


230Vac  
BY CUSTOMER

NOTE:

1. A DOT ON A LINK INDICATES BOTTOM (  )



242599 02r00

REV	DATE	DETAILS OF REVISION	DRAWN	APPR
03	24/10/2016	CHANGE OF EFI. BATTERY DANGER LABEL	BC	WH
02	16/3/16	ISSUED FOR CONSTRUCTION	RAH	WH

STATUS	IFC
PRODUCT TYPE	
SET No.	66403226
PART	
DRAWN	BC
REVIEWED	WH
APPROVED	WH
DATE	24/10/2016
DATE	24/10/2016
DATE	24/10/2016

PROJECT  
AUSGRID  
CONTRACT AG2869/11, ITEM #35  
HIGH VOLTAGE CUSTOMER SUBSTATION

TITLE  
12kV RM6 KIOSK  
HV PROTECTION DC SCHEMATIC DIAGRAM  
SHEET 2 of 4

**Schneider Electric**  
Make the most of your energy

DRG SIZE: A3  
DRG REFERENCE: 66403226.DWG  
REV: 03