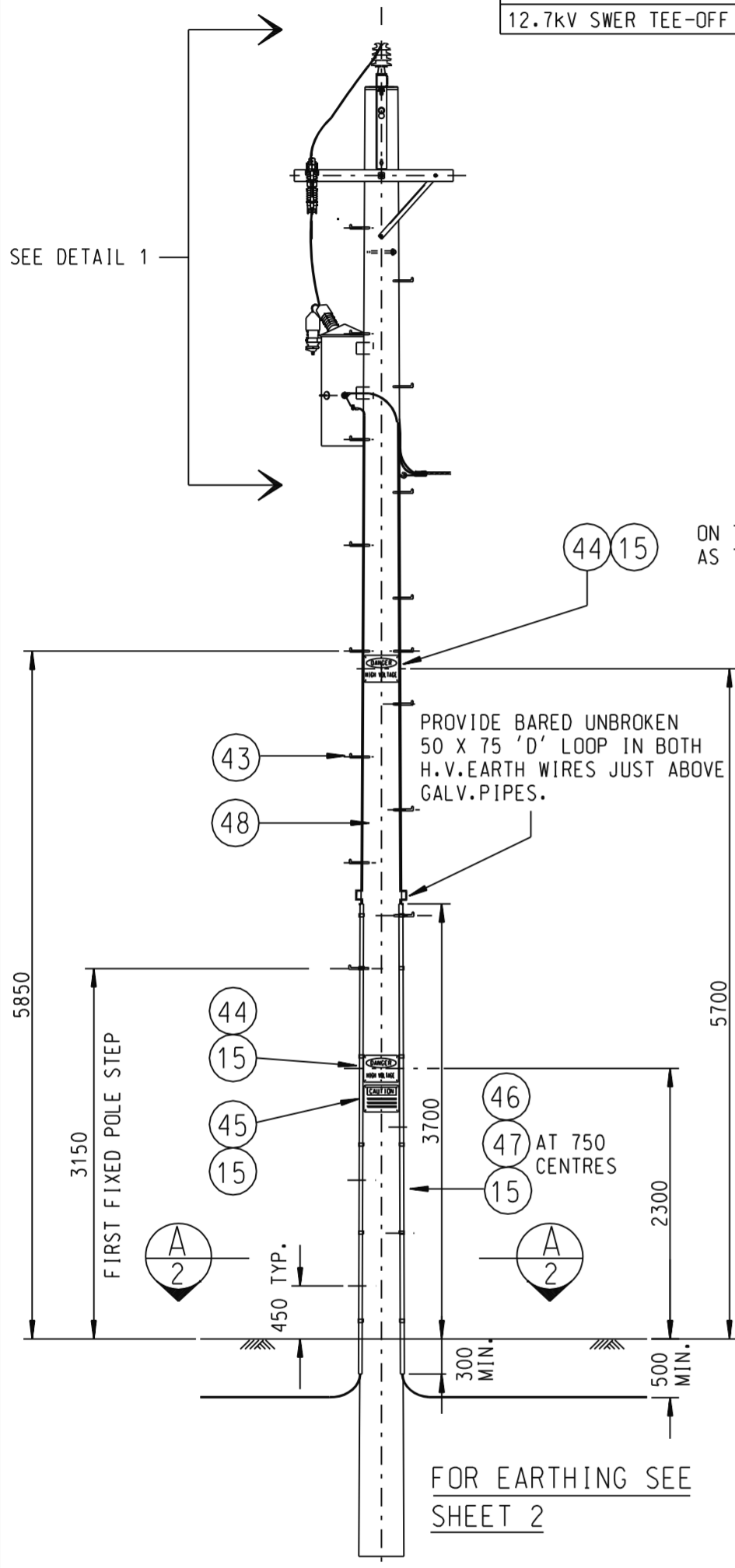
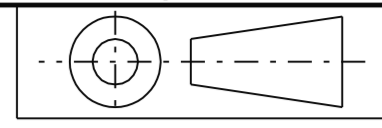


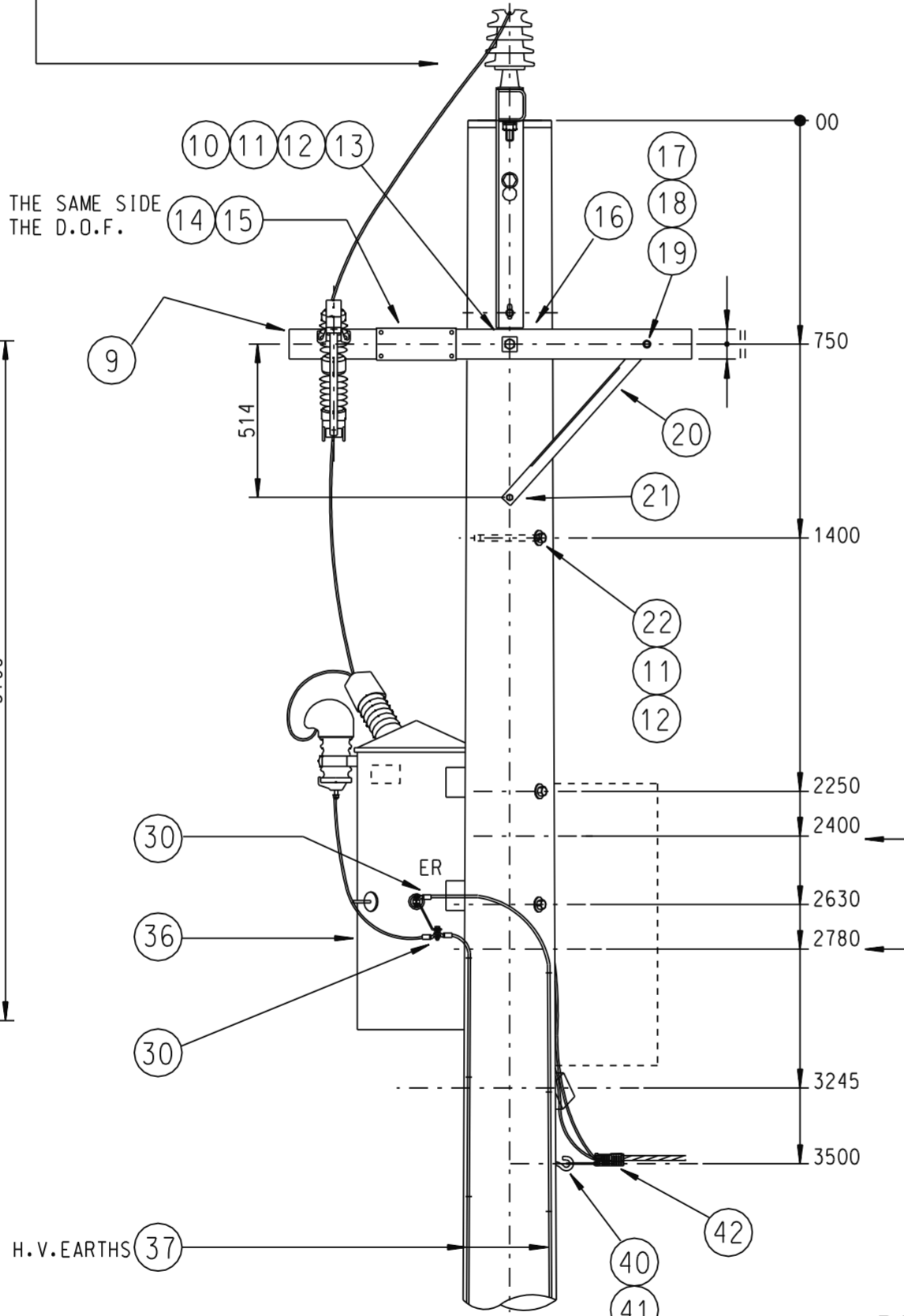
NOTE: ALL DIMENSIONS ARE IN mm U.N.O.

MAINS OVERHEAD MANUAL VOLUME 4.	
CONSTRUCTION TYPES	SECTION
12.7kV SWER PIN CONSTRUCTION	2-201
12.7kV SWER ANGLE CONSTRUCTION	2-203
12.7kV SWER SINGLE TERMINATION	2-210
12.7kV SWER THROUGH TERMINATION	2-211
12.7kV SWER TEE-OFF CONSTRUCTION	2-214

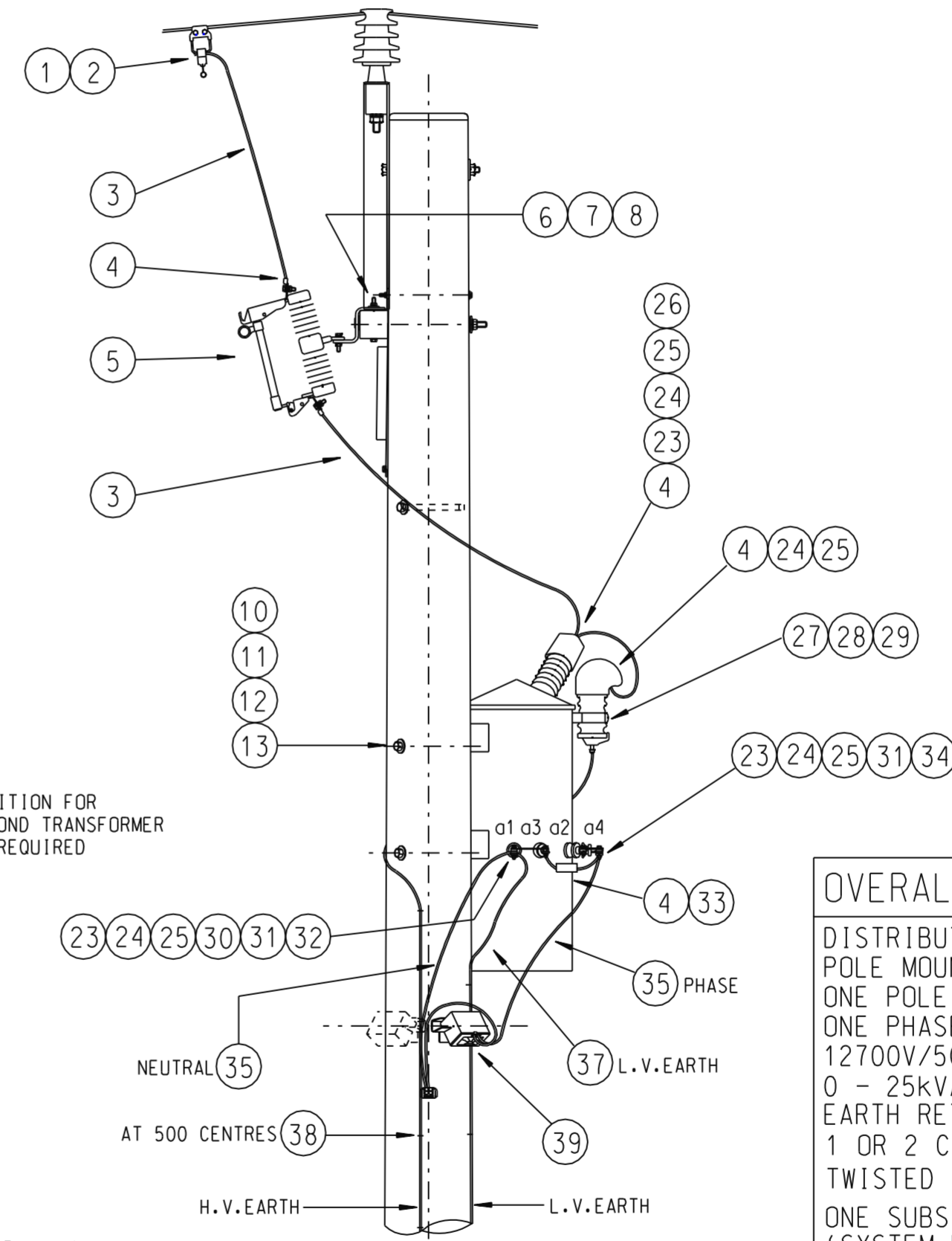
NOTE:
THE EQUIPMENT POSITION SHOWN IS TYPICAL ONLY. DURING CONSTRUCTION, POSITION TRANSFORMER 45° AROUND FROM O.H. LINE ON THE SIDE OF THE POLE THAT SUITS THE L.V. MAINS TAKEOFF. MOUNT THE DROPOUT FUSE ABOVE THE TRANSFORMER AS SHOWN. A SECOND TRANSFORMER MAY BE MOUNTED IN THE ALTERNATE POSITION.



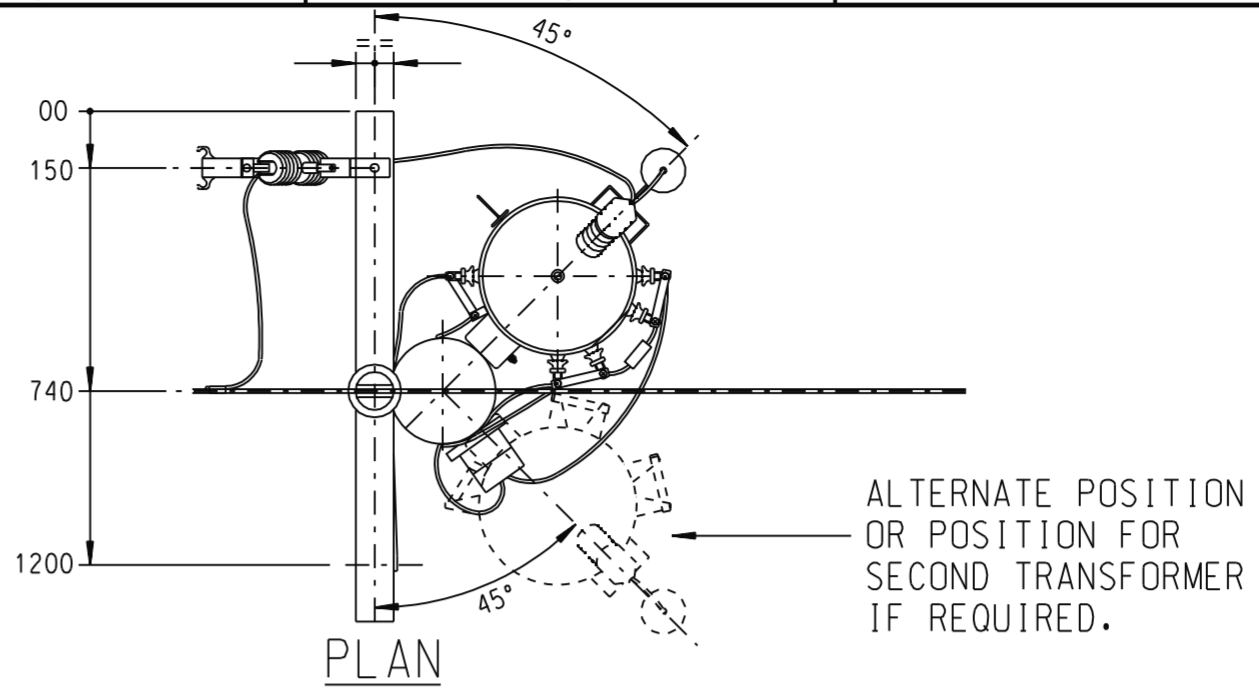
ELEVATION
SCALE: 1:50



REAR ELEVATION



SIDE ELEVATION



PLAN

ALTERNATE POSITION OR POSITION FOR SECOND TRANSFORMER IF REQUIRED.

DETAIL 1
SCALE: 1:20

OVERALL SUBSTATION DESCRIPTION
DISTRIBUTION SUBSTATION TYPE 1PWS7A
POLE MOUNTED
ONE POLE - TIMBER
ONE PHASE
12700V/500-250V
0 - 25kVA 1 PHASE POLE HUNG SINGLE WIRE
EARTH RETURN TRANSFORMER (SWER)
1 OR 2 CUSTOMERS
TWISTED SERVICE MAINS FROM CROSSARM
ONE SUBSTATION IDENTIFICATION NUMBER (SYSTEM NUMBER)
TRANSFORMER LIFTING BY EYEBOLT USING POLE LIFTING GEAR OR BY CRANE.

CAD DRAWING	DO NOT MANUALLY AMEND
AMENDMENT NOTES	
A. INITIAL ISSUE	DWN: JC CHKED: W.C.
B. DATE:	
AUTH'D BY:	

MATERIALS LIST	SHEET 3
SCHEMATIC DIAGRAMS	SHEET 2
ASSOCIATED DRAWINGS	
DRAWING AUTHORISED by	
DATE: 31/10/95	

STANDARD CONSTRUCTION
DISTRIBUTION SUBSTATION TYPE 1PWS7A
1 PHASE SWER 12.7kV
GENERAL ARRANGEMENT

R. BREMELL PROJECT NUMBER NET STD

SCALE: AS SHOWN	Energy Australia
DATE: 22/8/95	
DRAWN: J. CARLIN	ENGINEERING HUNTER
CHECKED:	
A2 63882	A AMENDMENT
	SHEET 1 OF 3