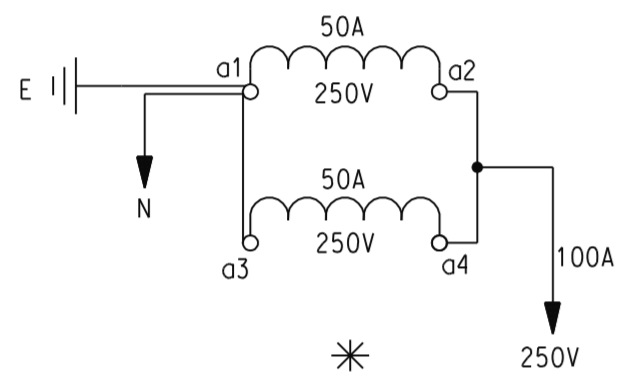
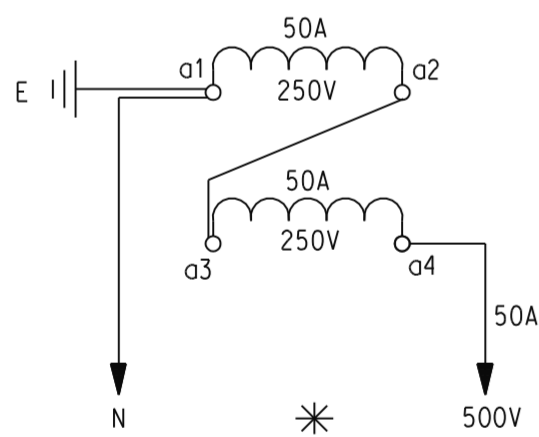


*
2 x 250V 50A 3 WIRE
SEE SCHEMATIC DIAGRAM '1'

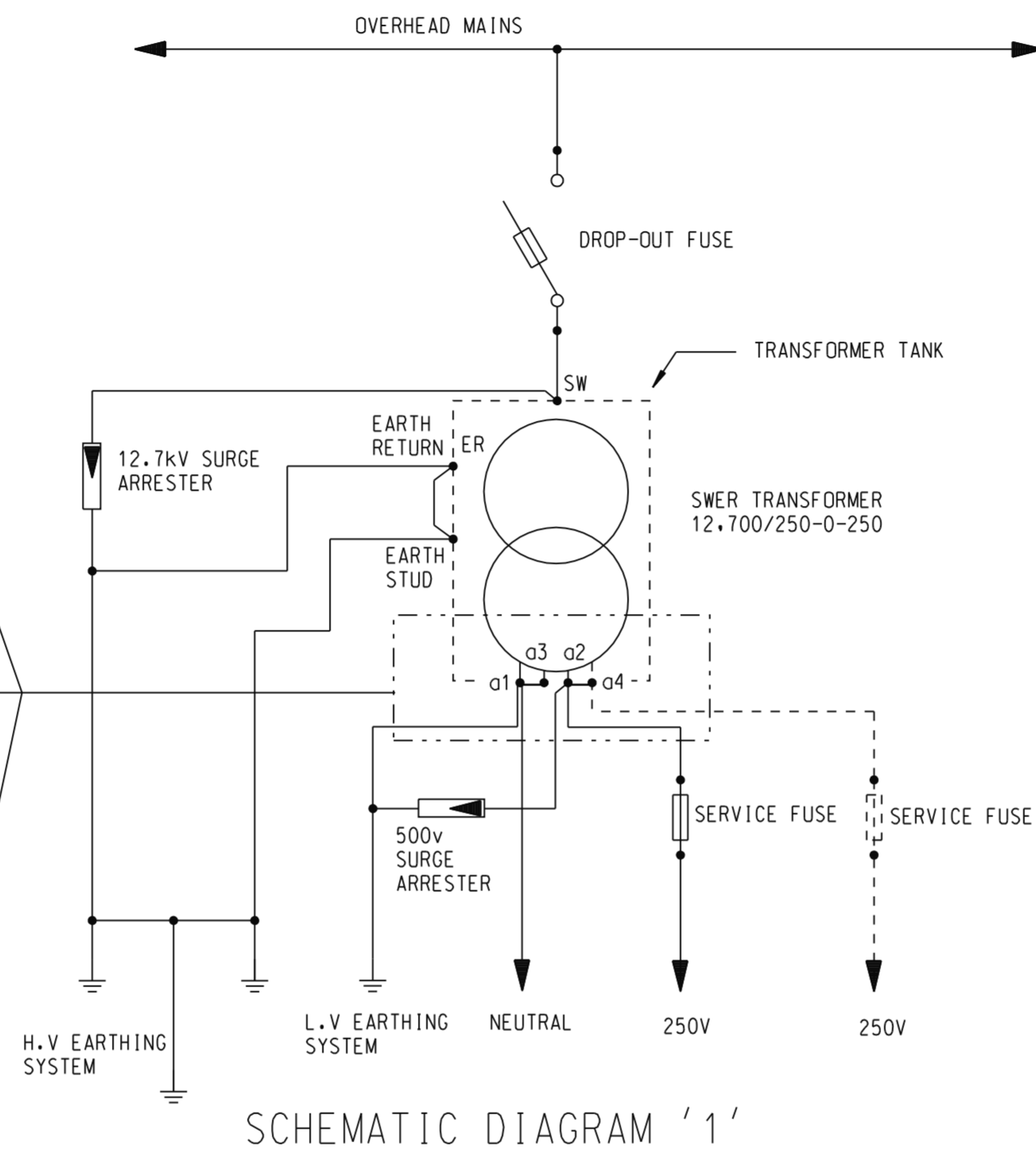


*
1 x 250V 100A 2 WIRE
SEE SCHEMATIC DIAGRAM '2'

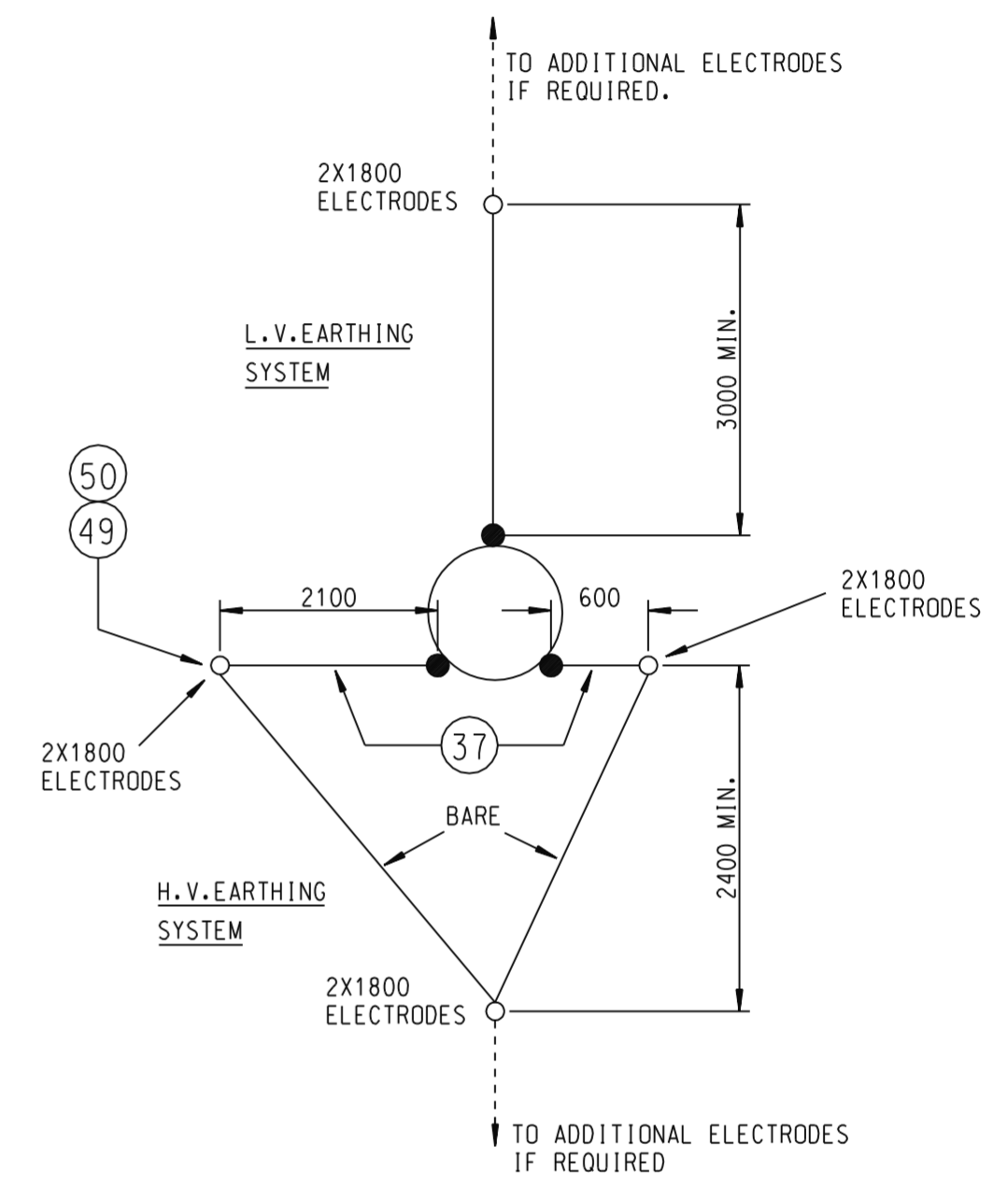


*
1 x 500V 50A 2 WIRE
SEE SCHEMATIC DIAGRAM '3'

* NOTE:
CURRENT VALUES
SHOWN FOR 25kVA
TRANSFORMER



SCHEMATIC DIAGRAM '1'



EARTHING SCHEMATIC
SECTION A-A
SEE SHEET 1

- NOTES:
1. ALL EARTHS TO RUN UNBROKEN FROM ELECTRODE TO POLE TOP EQUIPMENT.
 2. L.V. EARTHING SYSTEM TO BE CONNECTED TO L.V. NEUTRAL.
 3. H.V. EARTHING SYSTEM TO BE CONNECTED TO H.V. EARTH BUSHING, H.V. ARRESTERS & TANK EARTH.
 4. H.V. & L.V. EARTH LEADS ABOVE GROUND LINE TO BE SEPARATED BY AT LEAST 50mm.
 5. ITEM 9 TO BE CUT IN HALF & DRILLED ON SITE TO DIMENSIONS SHOWN ON PLAN VIEW.
 6. ALL DIMENSIONS ARE IN mm U.N.O.

CAD DRAWING DO NOT MANUALLY AMEND	AMENDMENT NOTES	A. INITIAL ISSUE DWN: JC CHKED: W.C.	ASSOCIATED DRAWINGS
		B. DATE: AUTH'D BY:	

DRAWING AUTHORISED by DATE: 31/10/95

STANDARD CONSTRUCTION
DISTRIBUTION SUBSTATION TYPE 1PWS7A
1 PHASE SWER 12.7kV
SCHEMATIC DIAGRAMS

R. BREMMELL PROJECT NUMBER NET STD

SCALE: N.T.S.	Energy Australia COPYRIGHT © 2002
DATE: 22/8/95	
DRAWN: J. CARLIN	ENGINEERING HUNTER
CHECKED:	
A2 63882	A AMENDMENT SHEET 2 OF 3