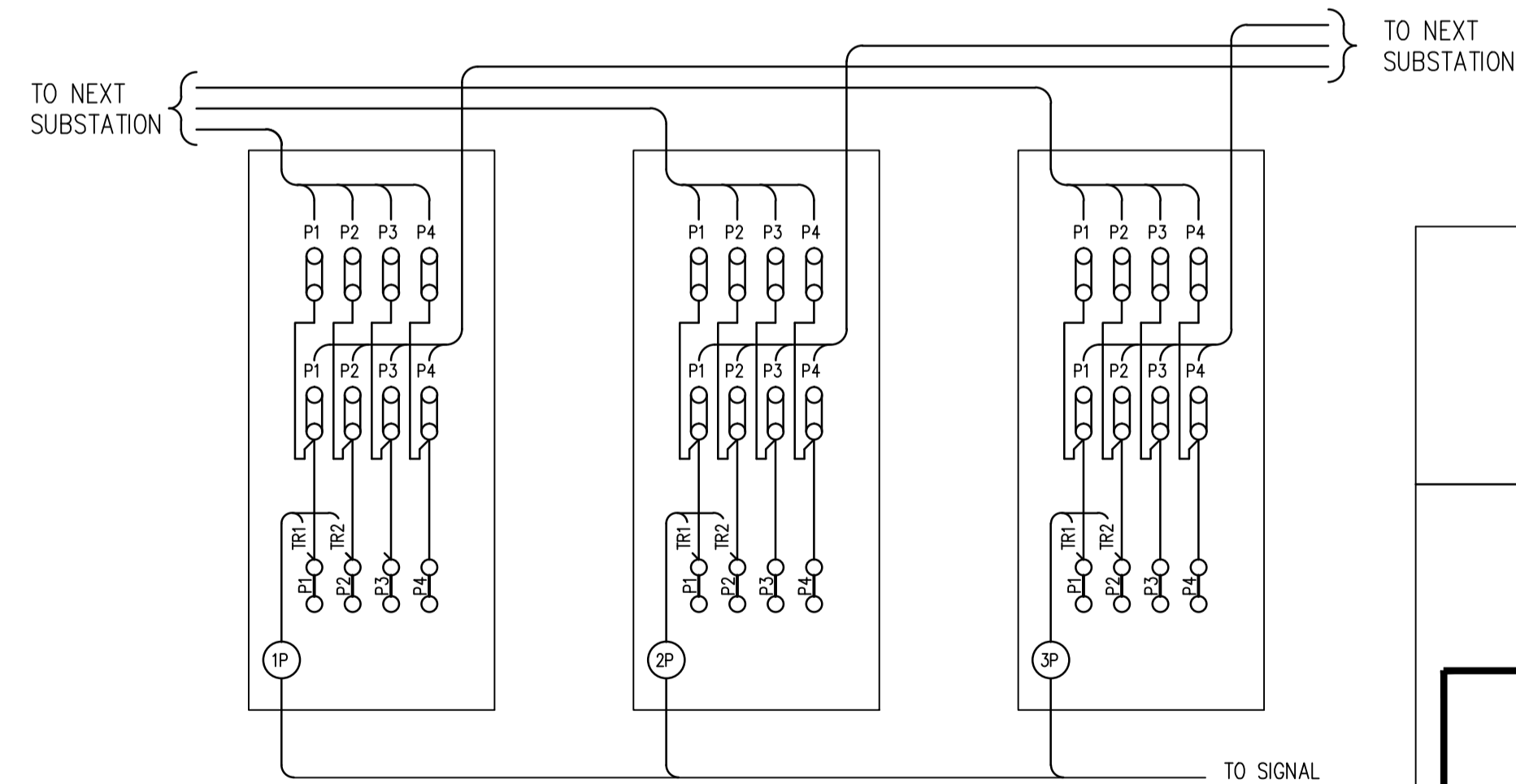
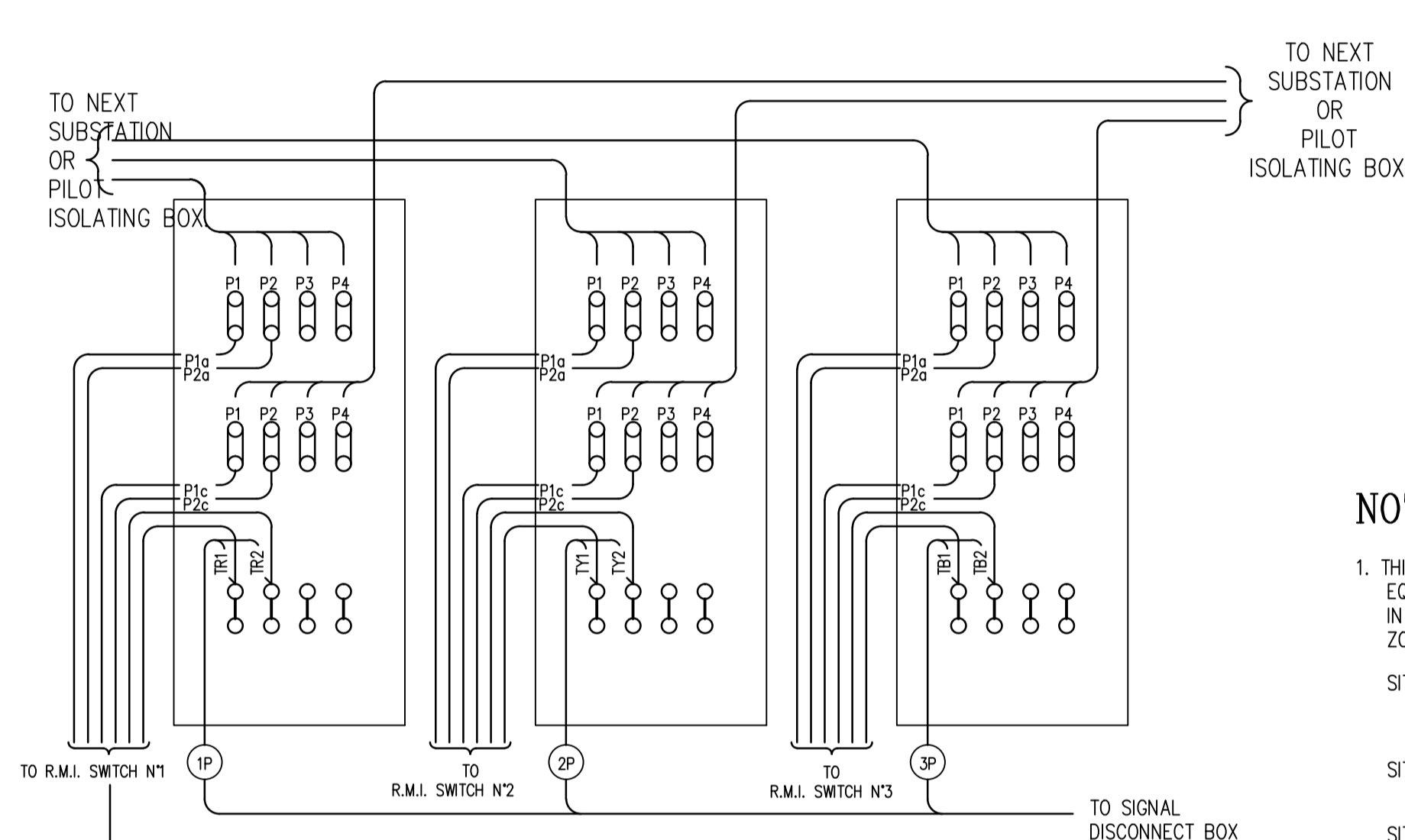


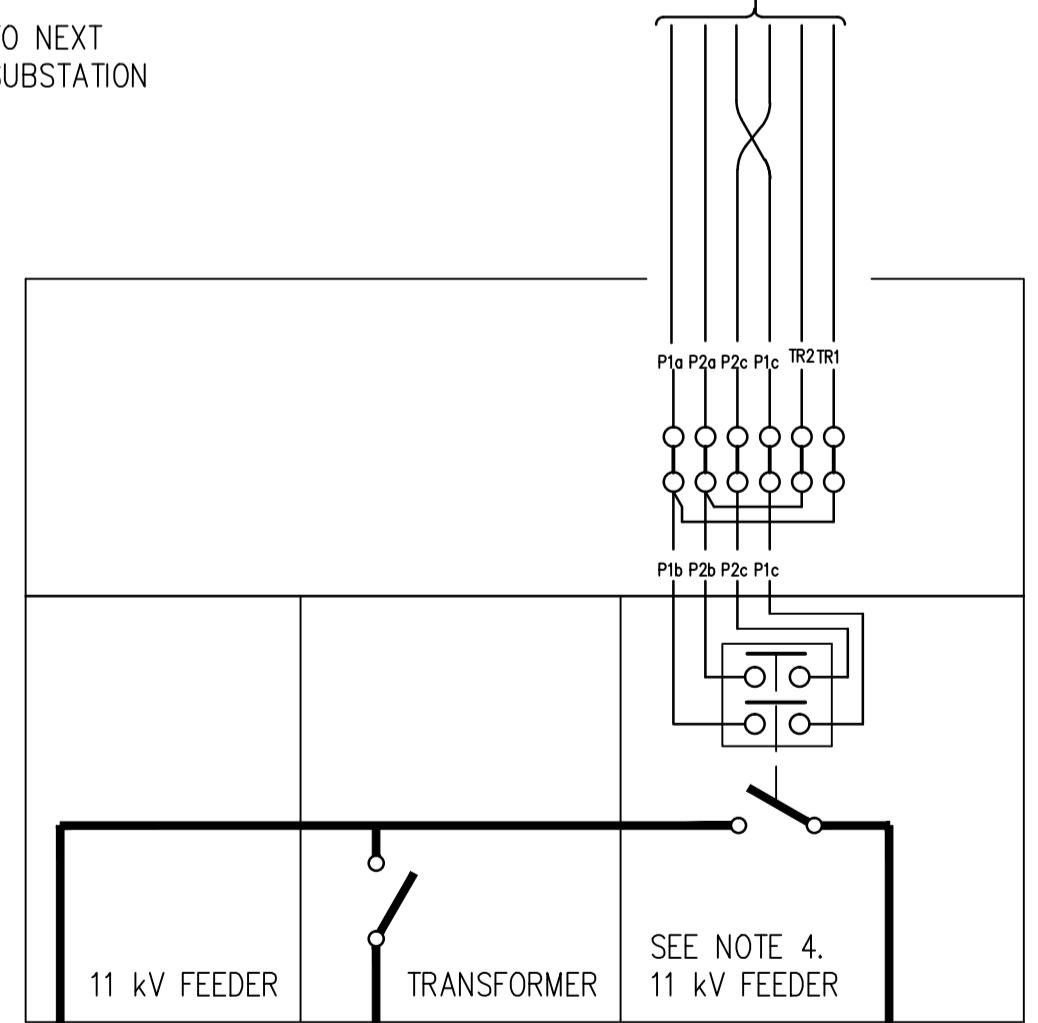
PILOT ISOLATING BOXES (P.I.B.)
FOR USE WITH TWO & THREE WAY R.M.I. INTERCONNECTORS.



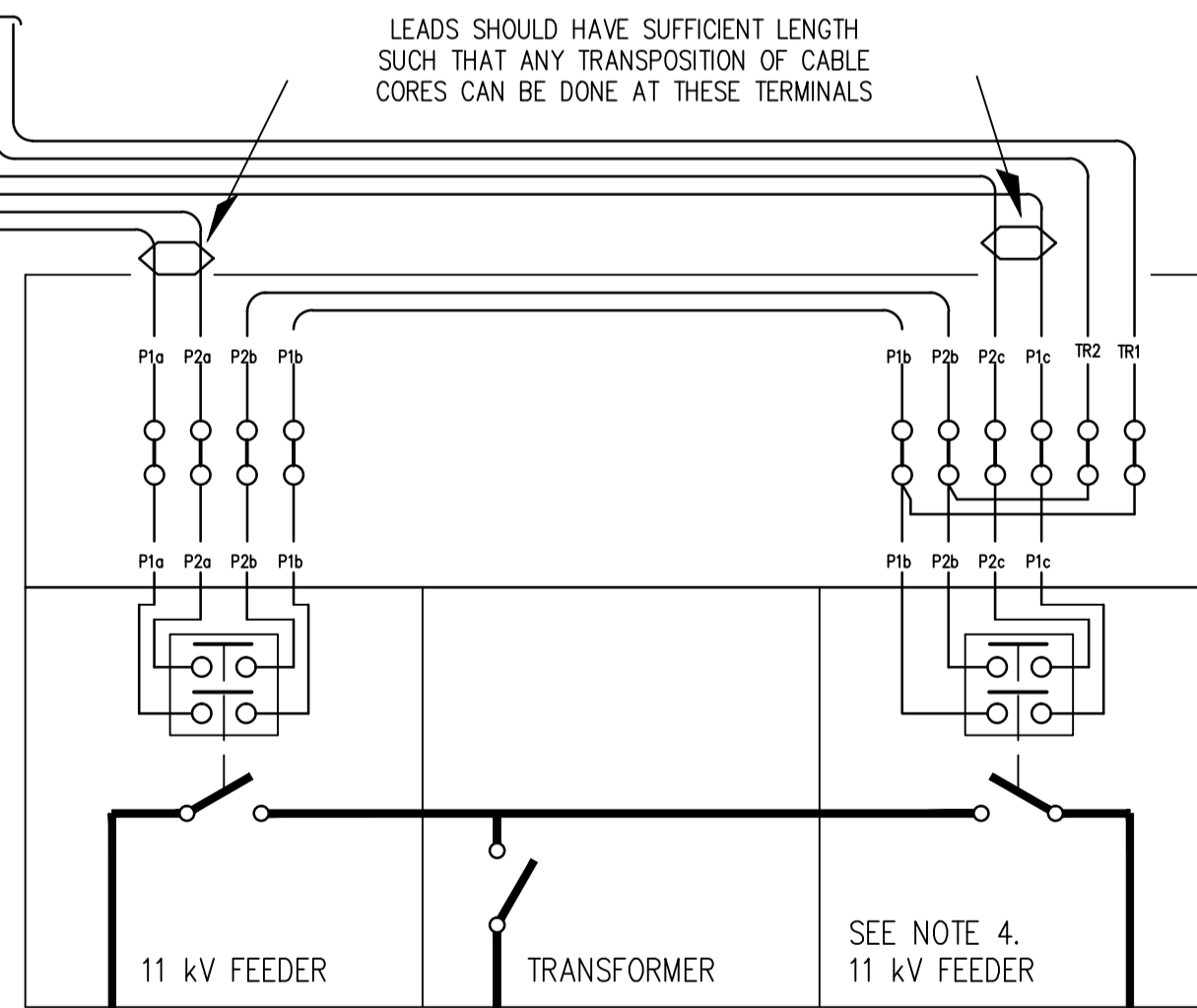
PILOT ISOLATING BOXES (P.I.B.)
FOR USE WITH I & E SWITCHES.



INTERCONNECTOR PILOT BOXES (I.P.B.)
FOR USE WITH TWO & THREE WAY R.M.I. INTERCONNECTORS.



TYPICAL ARRANGEMENT OF TWO WAY R.M.I. INTERCONNECTOR.



TYPICAL ARRANGEMENT OF THREE WAY R.M.I. INTERCONNECTOR.

P.I.B. PILOT ISOLATING BOX
I.P.B. INTERCONNECTOR PILOT BOX

NOTES

- THIS DRAWING COVERS A NUMBER OF POSSIBLE FEEDER CONNECTIONS, EQUIPMENT WILL BE USED AS DEFINED BELOW FOR EACH SUBSTATION. IN SITUATIONS 2, 3 & 4 3-WAY R.M.I.'S ARE USED TO PROVIDE ZONE INTERCONNECTION.
- SITUATION 1. WHERE A FEEDER IS TEED INTO A SUBSTATION AND NO INTERCONNECTOR IS INVOLVED, THREE PILOT ISOLATING BOXES ARE REQUIRED.
- SITUATIONS 2 & 2A. WHERE THE 3-WAY OR 2 WAY R.M.I. IS AT THE END OF THE FEEDERS, THREE INTERCONNECTOR PILOT BOXES ARE REQUIRED.
- SITUATION 3. WHERE THE 3-WAY R.M.I. IS AT THE END OF ONE FEEDER AND TEED INTO THE OTHER FEEDER, THEN THREE PILOT ISOLATING BOXES AND THREE INTERCONNECTOR PILOT BOXES ARE REQUIRED.
- SITUATION 4. WHERE THE 3-WAY R.M.I. IS TEED INTO BOTH THE FEEDERS, THEN THREE INTERCONNECTOR PILOT BOXES AND SIX PILOT ISOLATING BOXES ARE REQUIRED.
- NUMBERS SHOWN IN \bigcirc ARE CABLE NUMBERS.
- IPB'S TO BE INSTALLED ADJACENT TO THE SIGNAL AND PILOT DISCONNECT BOX. IN UPPER LEVEL SUBSTATIONS IPB'S AND PIB'S WILL BE LOCATED IN THE BASEMENT LEVEL WHILE SIGNAL AND PILOT DISCONNECT BOX WILL BE INSTALLED IN THE UPPER LEVEL SUBSTATION.
- WHERE REMOTE CLOSING FACILITIES ARE FITTED THEY ARE TO BE USED IN THIS SIDE OF THE R.M.I.
- AUX SWITCH MAY BE INSTALLED ON TRANSFORMER SWITCH THESE ARE FOR FUTURE DATT INDICATION ONLY.

CITY DISTRIBUTION CENTRES SIGNAL DISCONNECT BOX CABLE CONNECTIONS.	
CITY DISTRIBUTION CENTRES PILOT ISOLATING BOXES AND INTERCONNECTOR PILOT BOXES LABEL DETAILS.	A3-113889
CITY DISTRIBUTION CENTRES PILOT ISOLATING BOXES AND INTERCONNECTOR PILOT BOXES GENERAL ARRANGEMENT.	A2-115150
AUX SWITCH INSTALLATION GENERAL ARRANGEMENT	A2-115065
LAUR KNUDSEN TYPE ELA 12 WITH REMOTE TRIPPING FACILITIES	B1-116001
LAUR KNUDSEN TYPE ELA 12 WITH LOCAL TRIPPING FACILITIES	B1-116003
G.E.C. TYPE DDBB R.M.I. AUX SWITCH INSTALLATION GENERAL ARRANGEMENT	A1-117002
ABB TYPE SD3 REMOTE CLOSING, TERMINATION BOX GENERAL ARRANGEMENT	A3-117016

REFERENCE DRAWINGS

**CITY DISTRIBUTION CENTRES
PILOT ISOLATING BOXES AND
INTERCONNECTOR PILOT BOXES
CONNECTION DETAILS**

CAD DRAWING
DO NOT MANUALLY AMEND
AMENDMENTS
3. DRAWING TRANSLATED FROM CADAM.
REF F5 WIRING FOR 2-WAY RMI ADDED.
NOTE 5 ADDED.
CHECKED: OZ
APPROVED: OZ
PN / 22990
20.12.90
4. NEW AUSGRID BORDER & LOGO ADDED.
R.LAALAA 24-09-2013
APPROVED T.LAMPARD



SCALE	NTS
DESIGNED	-
DRAWN	PWJ
CHECKED	SM
APPROVED	RM
DATE	14.1.88
PRJTRK No.	-
PROJECT NUMBER	22999

DRAWING No **116004** SHEET - AMD 4 SIZE A1