

ITEM - 1
PULLEY LOCATION IS DETERMINED BY THE LOCATION OF THE TRIPWIRE ENTRY TUBING. LEFT OR RIGHT HAND BRACKETS AVAILABLE DEPENDING ON DIRECTION OF BENT LOG. (LH SHOWN) SEE DRAWING B1-18894 FOR SAMPLE MOUNTING POSITION.

ITEM - 2

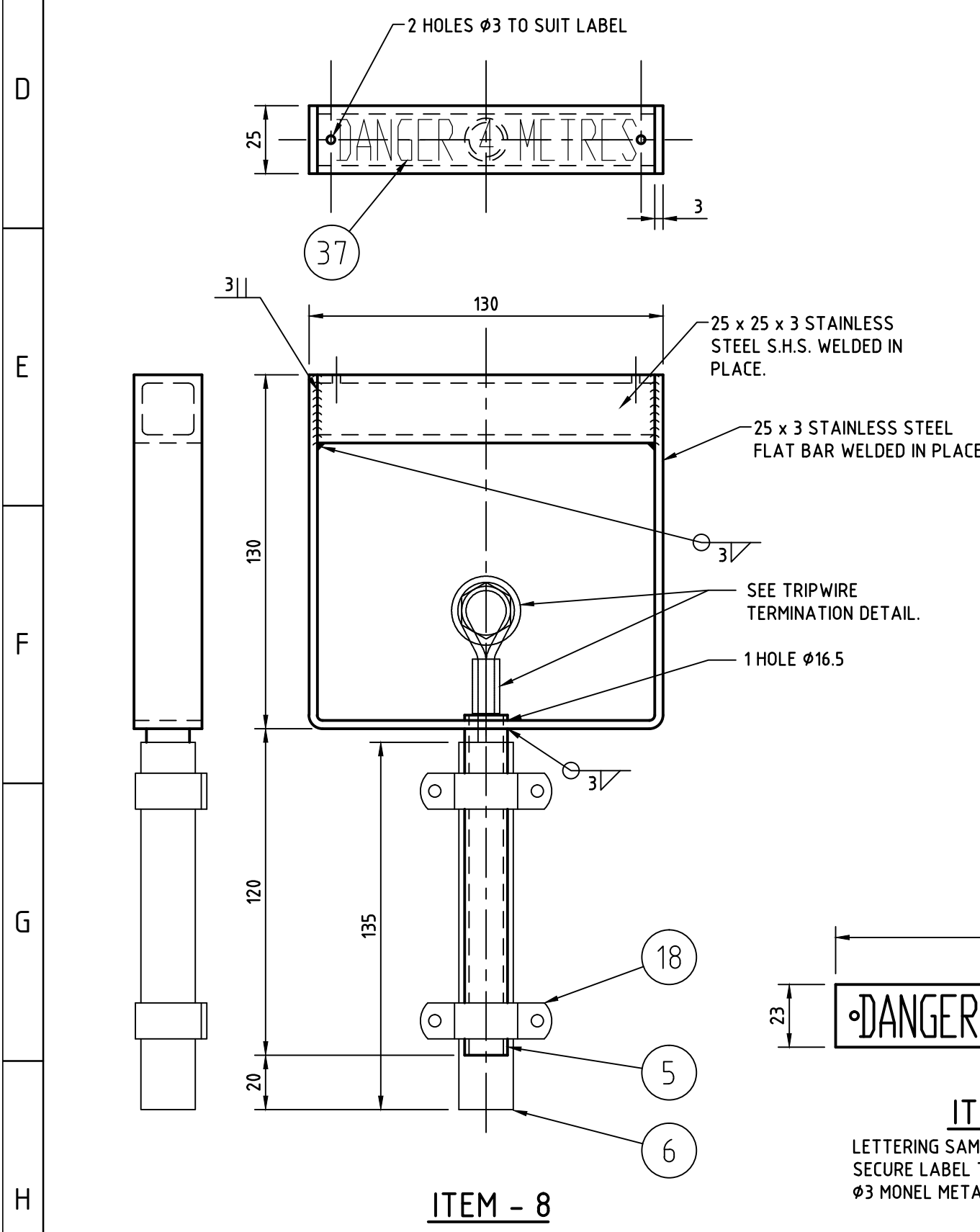
ITEM - 3

ITEM - 4
NOTE: LOCATION & TYPE OF PULLEY SHOWN VARIES TO SUIT INDIVIDUAL APPLICATIONS.

ITEM - 7
PULLEY LOCATION IS DETERMINED BY THE LOCATION OF THE TRIPWIRE & S.S. SUPPORT TUBING.

REFERENCE DRAWINGS
SYDNEY CBD SUBSTATIONS ISOLATING SWITCH OPERATING WHEEL FOR PULL-OUT GEAR DETAILS
SYDNEY CBD SUBSTATIONS EMERGENCY PULL-OUT GEAR OPERATING EQUIPMENT ARRANGEMENT
A2-10578
B1-18894

- NOTES**
- ALL STEELWORK TO BE FABRICATED IN ACCORDANCE WITH AS4100.
 - AFTER FABRICATION ALL BURRS AND SHARP EDGES TO BE REMOVED.
 - ALL WELDING TO BE IN ACCORDANCE WITH AS1554, PART 1.
 - AFTER FABRICATION ALL WELDS TO BE CHIPPED FREE OF SLAG.
 - AFTER FABRICATION STEELWORK TO BE HOT DIP GALVANISED TO AS4680.
 - LABEL (ITEM 37) IS FIXED TO THE HANDLE OF EACH PULL-OUT GEAR TO SHOW THE DISTANCE THE HANDLE SHOULD BE PULLED TO ISOLATE THE SWITCHGEAR, eg 'DANGER 4 METRES'. LABEL (ITEM 36) IS TO BE FIXED TO THE WALL ADJACENT TO THE HANDLE TO INDICATE THE SUBSTATION OR CONTROL POINT SWITCHGEAR WHICH WILL BE ISOLATED. THE LABELS ARE TO BE NOMINAL SIZE 100mm x 50mm, ENGRAVED TRAFFOLYTE, OR LAMINATED ADHESIVE BACKED TAPE ON RED PVC SHEET OF MINIMUM THICKNESS 15mm. LETTERS ARE TO BE WHITE ON RED BACKGROUND. MINIMUM LETTER HEIGHT IS TO BE 15mm. LABELS ARE TO BE IN ACCORDANCE WITH NETWORK STANDARD NS-158 PART 4.6 (TABLE OF LABELLING MATERIALS, FIXING AND POSITIONING).
 - PULLEYS (ITEMS 38 & 39) AVAILABLE RONSTAN INTERNATIONAL PTY LTD. IF AN EQUIVALENT MODEL OR BRAND IS USED, THEY SHALL HAVE SIMILAR MOUNTING FLANGES & BE OF EQUIVALENT SIZE.
 - TO PREVENT FOULING OF SCREWS, RIVET HEADS OR SERVICES, EITHER SCABBLE THE WALL BEHIND THE FASTENERS OR PACK BRACKETS OFF THE WALL USING SPACERS. (SEE ITEM 22).



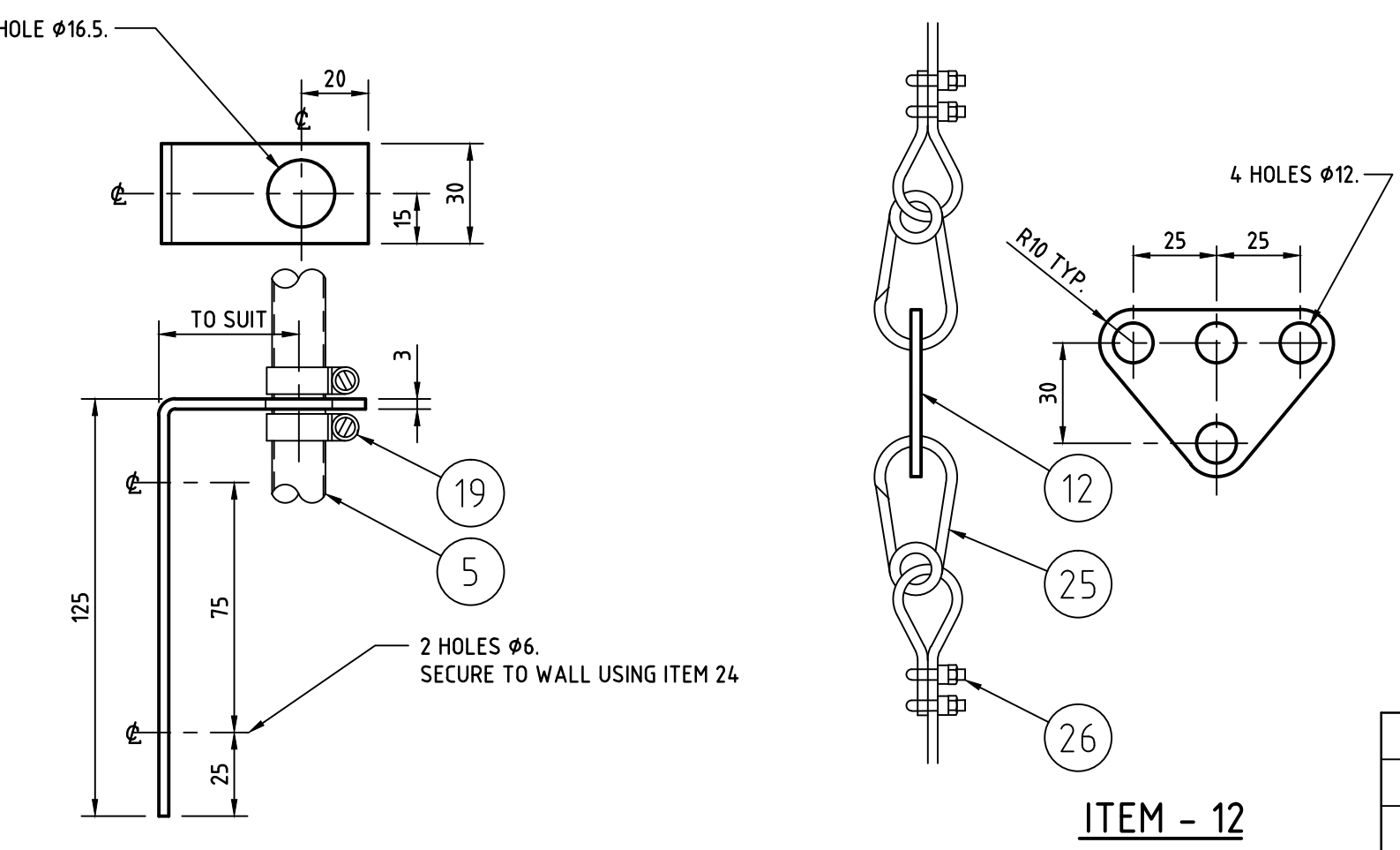
ITEM 37
LETTERING SAMPLE ONLY. SEE NOTE 6. SECURE LABEL TO HANDLE USING Ø3 MONEL METAL RIVETS, LOCATE HOLES TO SUIT.

ITEM 36
15 HIGH LETTERING (SAMPLE ONLY) SEE NOTE 6

ITEM - 9
SUPPORTS ARE TO BE SPACED TO PROVIDE RIGIDITY TO THE TRIPWIRE STAINLESS STEEL TUBING.

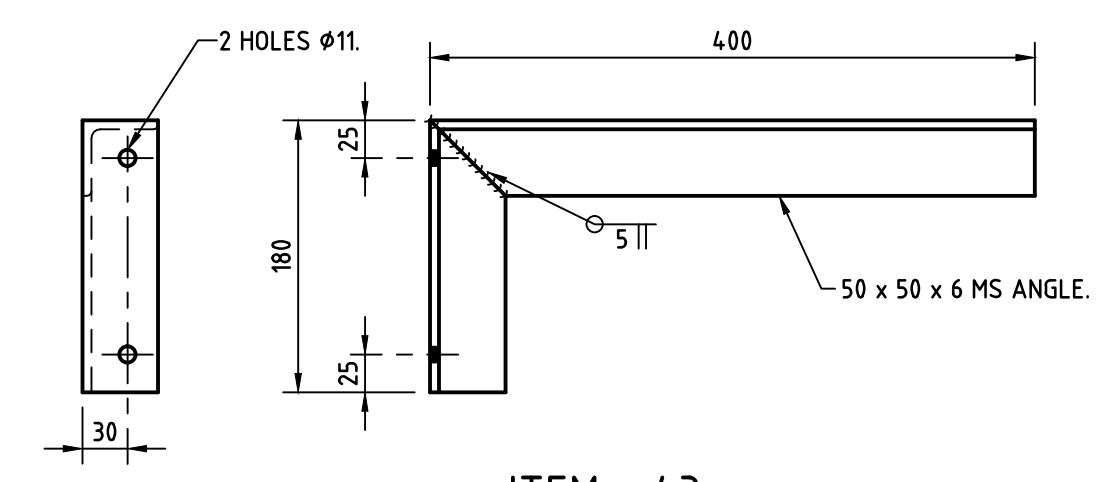
ITEM - 10
CAN BE SINGLE OR MULTI TUBE ARRANGEMENT. LENGTH OF STRAP, SPACERS & LOCATION OF S.S. TUBES MAY VARY TO SUIT INDIVIDUAL INSTALLATIONS.

TRIPWIRE TERMINATION DETAIL
STAINLESS STEEL TRIPWIRE ROPE TO BE TERMINATED. BARE ENDS OF WIRE ROPE TO BE TAPED WITH PLASTIC INSULATION TAPE OR SIMILAR.

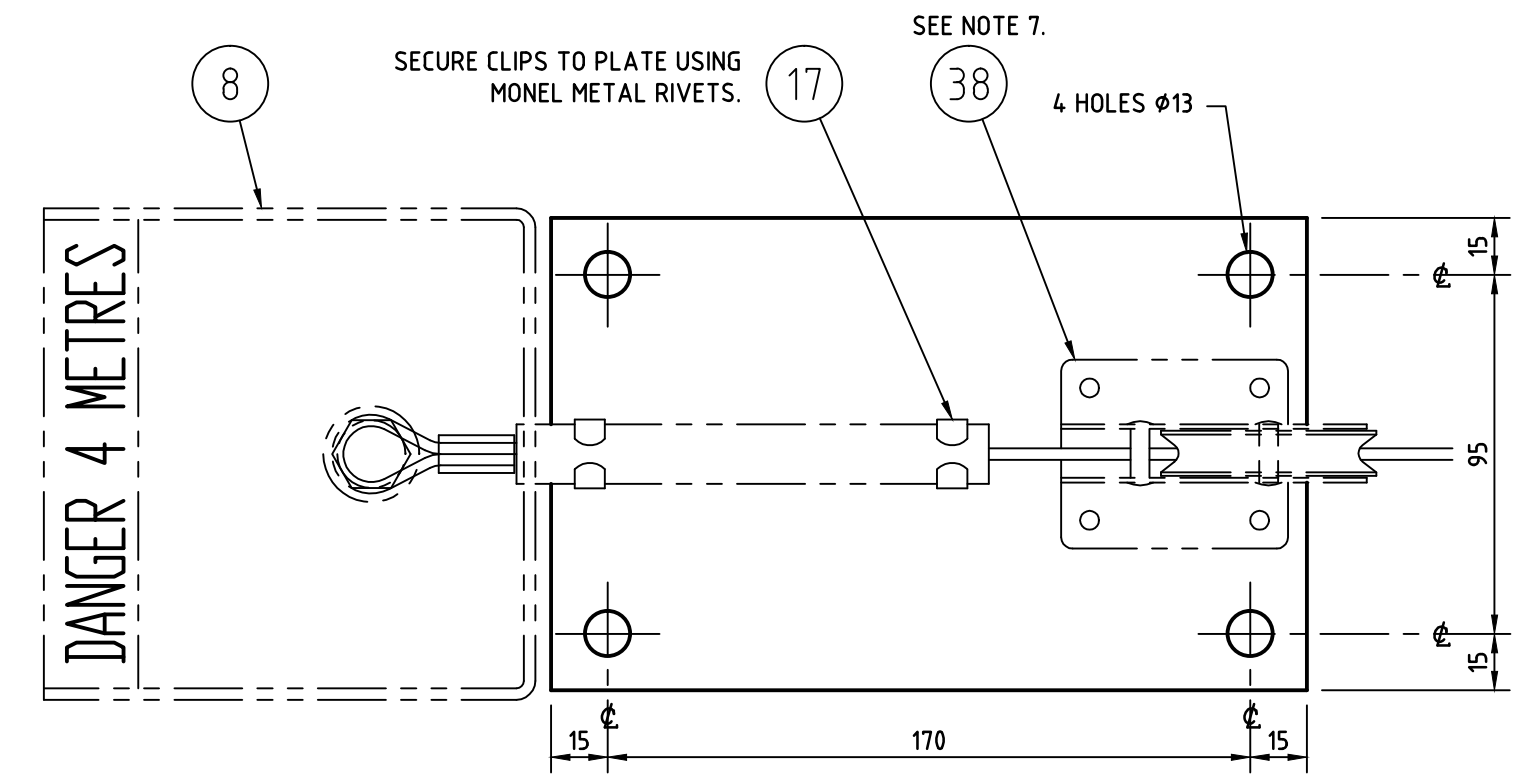


ITEM - 11

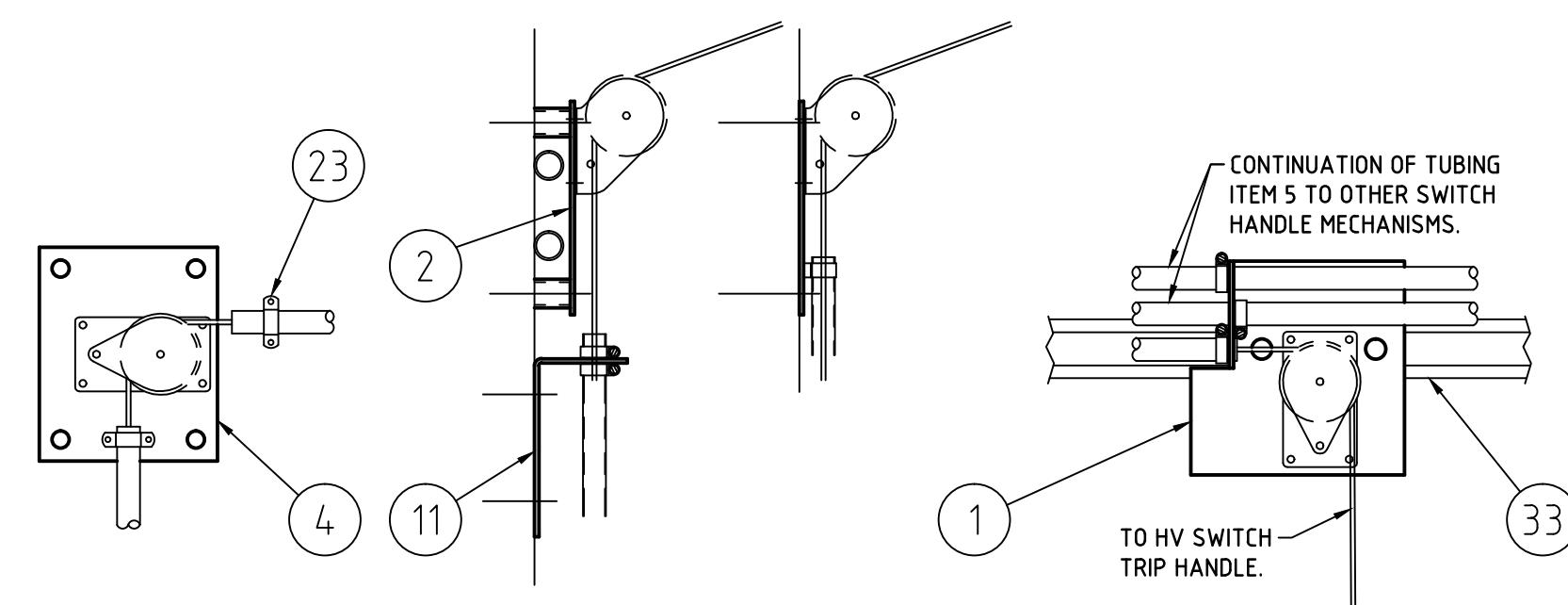
ITEM - 12



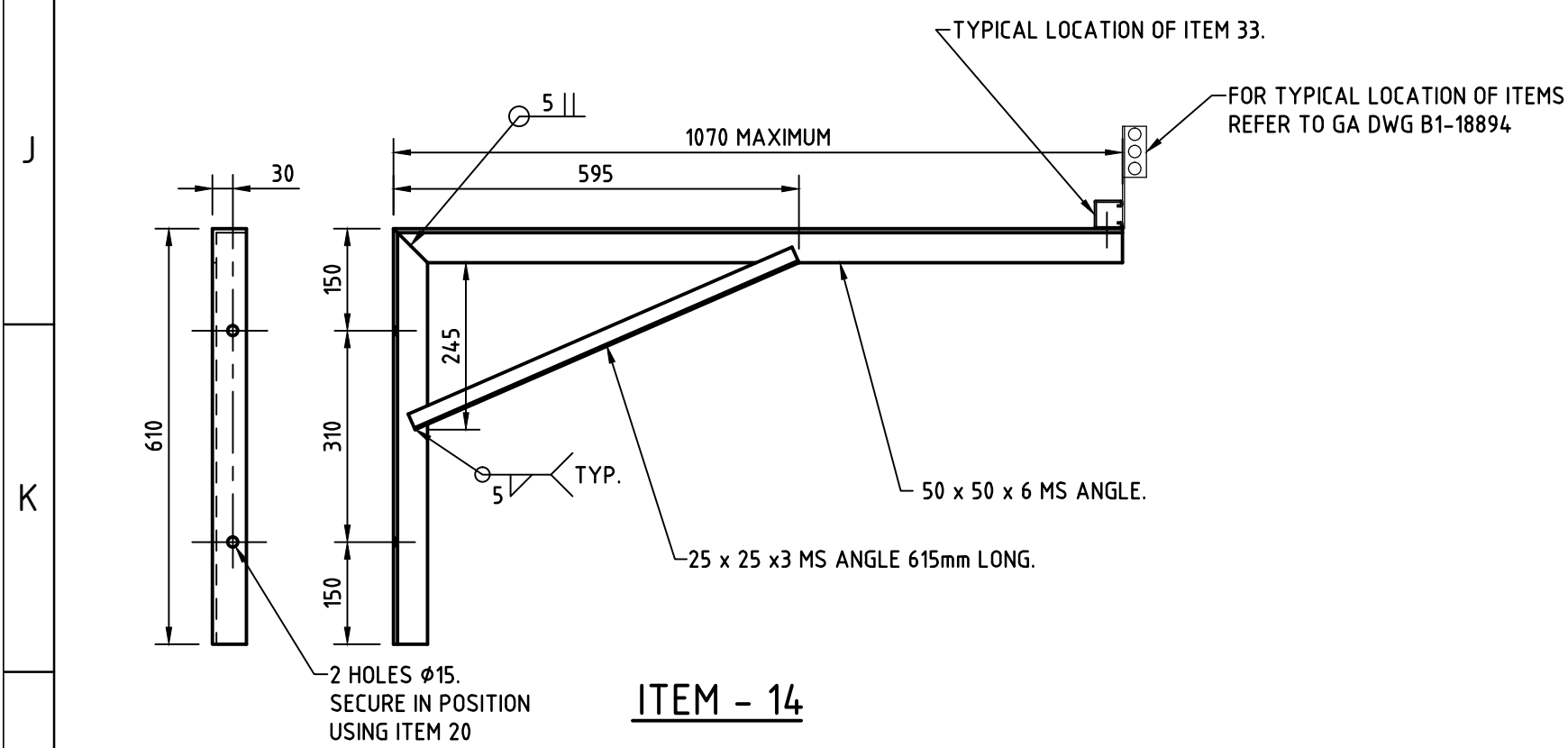
ITEM - 43
FOR RECORD PURPOSES ONLY. PREVIOUSLY MARK 15 MAY BE FABRICATED ON SITE USING UNISTRUT FITTINGS OR EQUIVALENT TO SUIT SITE CONDITIONS & TYPE OF FLOAT SWITCH TO BE INSTALLED.



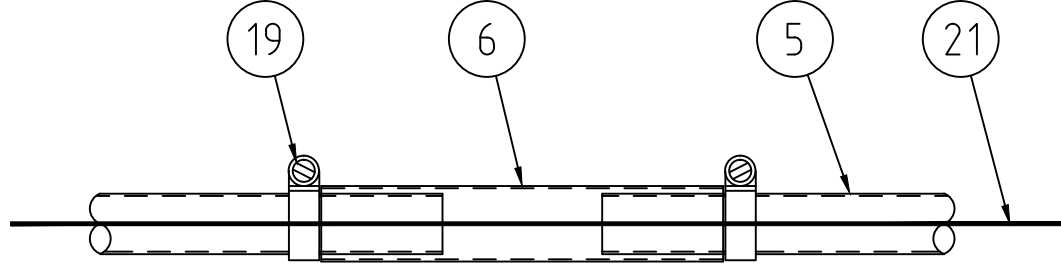
ITEM - 15
NOTE: TYPE OF PULLEY SHOWN VARIES TO SUIT INDIVIDUAL APPLICATIONS.



VARIATIONS OF PULLEY & CONDUIT TERMINATION ARRANGEMENTS
REFER TO DRAWING B1-18894



ITEM - 14



TYPICAL TUBE JOINING DETAIL

ITEM	DESCRIPTION	MATERIAL/REF DRG
43	FLOAT SWITCH BRACKET HOT DIP GALV.	HOT DIPPED GALVANISED
42	M5 BRASS FLAT WASHER	BRASS
41	M5 BRASS HEX HD NUT	BRASS
40	M5 x 15 BRASS CH HD SET SCREW	BRASS
39	PULLEY RONSTAN OR EQUIVALENT SINGLE TURNING BLOCK WITH FLAT BASE BLACK SS	MODEL No. RF1278 REF. DRG B1-16500. SEE NOTE 7
38	PULLEY RONSTAN OR EQUIVALENT SINGLE VERTICAL TURNING BLOCK WITH BLACK SS CHECKS	MODEL No. RF1248 REF. DRG B1-16500. SEE NOTE 7
37	PULLOUT HANDLE DISTANCE LABEL (eg DANGER 4 METRES)	REF. DRG B1-18894 & B1-16500. SEE NOTE 6
36	PULLOUT HANDLE HV SWITCH NUMBER TRIP INDICATION LABEL	REF. DRG B1-18894 & B1-16500. SEE NOTE 6
35	M12 HEX HD NUT	HOT DIPPED GALVANISED
34	P1325 UNISTRUT 90° ANGLE HOT DIPPED GALV.	REF. DRG B1-18894. HOT DIPPED GALVANISED
33	P1000 UNISTRUT HOT DIPPED GALV.	HOT DIPPED GALVANISED
32	M10 SS FLAT WASHER	REF. DRG B1-18894
31	M10 x 25 HEX HD SS SET SCREW	REF. DRG B1-18894
30	P1008 M10 UNISTRUT NUT ZP	REF. DRG B1-18894
29	M12 FLAT WASHER	HOT DIPPED GALVANISED
28	M12 x 25 HEX HD SET SCREW	HOT DIPPED GALVANISED
27	P1010 M12 UNISTRUT NUT ZP	REF. DRG B1-18894
26	SWAGING WITH FERRULES OR 2 OFF x 3mm WIRE ROPE GRIPS	
25	Ø4 SS SNAP HOOK	
24	RAMSET OR EQUIV. 5mm EASY DRIVE NYLON MASONRY ANCHOR WITH SS NAIL	
23	Ø16 COPPER SADDLE	
22	WALL SPACER - Ø16 TUBE (LENGTH AS REQUIRED)	Ø 16 x 1.6 SS TUBE. SEE NOTE 8
21	TRIP WIRE Ø4 FLEXIBLE SS WIRE ROPE 6/19 CONSTRUCTION	
20	M12 SS MASONRY ANCHOR COMES WITH NUT & WASHER	
19	WORM DRIVE HOSE CLAMP SS FOR Ø16 TUBE	
18	Ø20 COPPER SADDLE	
17	Ø16 SPRING STEEL CLIP	
16	OPERATING CRANK WHEEL	CAST IRON & STEEL. REF DRG A2-10578
15	DOORWAY ACCESS (HORIZONTALLY MTD) PULLOUT HANDLE MOUNTING BRACKET WITH PULLEY	3mm THICK BRASS SHEET
14	SUPPORT BRACKET HOT DIPPED GALV.	25x25x3, 50x50x6 MS ANGLE GALV. REF DRG B1-18894
13	P1377 'U' SHAPE FITTING HOT DIPPED GALV. (TO JOIN P1000 UNISTRUT)	M.S. HOT DIP GALVANISED. REF DRG B1-18894
12	MULTI-CABLE JOINING LINK	3mm THICK BRASS SHEET
11	SINGLE WALL MOUNTED CONDUIT SUPPORT BRACKET	3 x 30mm BRASS FLAT STRIP
10	MULTIPLE CONDUIT SUPPORT BRACKET	3 x 30mm BRASS FLAT STRIP
9	SINGLE CONDUIT SUPPORT BRACKET	3 x 30mm BRASS FLAT STRIP
8	PULLOUT HANDLE FOR HV SWITCH TRIPWIRE	25 x 25 x 3 S.H.S., 25 x 3, FLAT BAR, Ø16 x 0.6 SS TUBE
7	UNISTRUT MOUNTED CORNER PULLEY MOUNTING BRACKET	5mm M.S. SHEET HOT DIP GALVANISED.
6	Ø 20 STAINLESS STEEL TUBE	Ø20 O.D. x 0.6mm THK S.S. TUBE
5	Ø 16 STAINLESS STEEL TUBE	Ø16 O.D. x 0.6mm THK S.S. TUBE
4	WALL MOUNTED PULLEY MOUNTING BRACKET	3mm BRASS SHEET
3	MULTIPLE CONDUIT SPACER SUPPORT BRACKET	3mm BRASS SHEET
2	CORNER PULLEY MOUNTING BRACKET	5 x 50 M.S. FLAT. BAR HOT DIP GALVANISED.
1	UNISTRUT MOUNTED COMBINED MULTIPLE CONDUIT SUPPORT / PULLEY MOUNTING BRACKET	3mm BRASS SHEET

CAD DRAWING
DO NOT MANUALLY AMEND
A. PLENDEN
11. DRAWING REDRAWN ON CAD & UPDATED TO CURRENT STANDARDS. ITEMS RE-ARRANGED TO SUIT NEW STANDARDS.
C. SANDY
10-07-03
P.H.
12. FLOAT SWITCH MOUNTING BRACKET (ITEM 43) ADDED. WAS MARK 15 ON AMENDMENT No. 10.
13. NEW AUSGRID BORDER & LOGO ADDED.
R. LAALAA
10-09-2013
T. LAMPARD
CHECKED

NETWORK STANDARD
Ausgrid
570 George Street
SYDNEY NSW 2000

SCALE	1:2,5,10
DESIGNED	-
DRAWN	KYM STEPHENSON
CHECKED	GEORGE ANTONIOU
APPROVED	PHIL HUDSON
DATE	10.07.2003
PRJ/TRK No.	-
PROJECT NUMBER	ES99-15-4-14

SYDNEY CBD TYPE SUBSTATIONS & CONTROL POINTS EMERGENCY PULL-OUT GEAR OPERATING EQUIPMENT ARRANGEMENT & DETAILS
DRAWING No **16500** SHEET 1 AMD 13 SIZE B1

