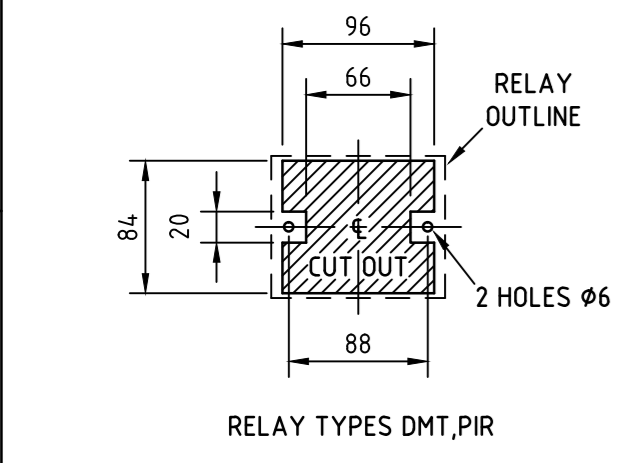
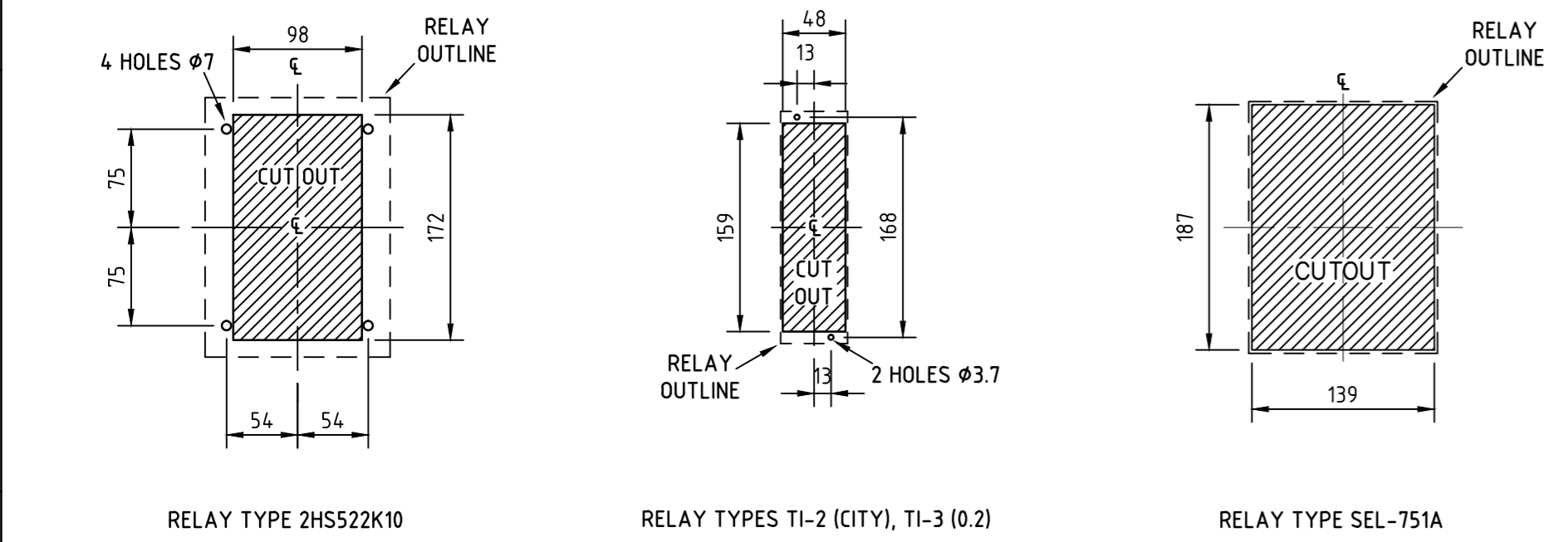


NOTES:

1. THIS DRAWING PROVIDES THE DRILLING AND CUT-OUT INFORMATION FOR RELAYS USED IN DISTRIBUTION SUBSTATIONS. THE INFORMATION SHOWN HAS BEEN EXTRACTED FROM STANDARD PROTECTION DRAWINGS AND INSTRUCTIONS.
2. THIS DRAWING SHOULD BE READ IN CONJUNCTION WITH RELEVANT NETWORK STANDARDS AND THE PROTECTION PANEL DRAWINGS LISTED IN THE TABLE.
3. THE DRILLING AND CUT-OUT INFORMATION SHOWN IS VIEWED FROM THE FRONT OF THE RELAY.
4. ALL DIMENSIONS ARE IN mm.



RELAY ALLOCATION

SYMBOL	DESCRIPTION	TYPE	PROTECTION PANEL DRAWING			
			SUBURBAN SINGLE Tx	SUBURBAN WITH OAFD	CITY	
			WALL MOUNTED	WALL MOUNTED	WALL MOUNTED	CABINET
COC	CUSTOMER OVERCURRENT RELAY	CO-9	-	-	237235Sh01	-
COC	CUSTOMER OVERCURRENT & EARTH FAULT RELAY	MICOM P115	-	227353Sh01	-	-
DIFF	DIFFERENTIAL RELAY	K3M	237230Sh02	227351Sh01	-	237234Sh01
DMS	SIGNAL AND LOCKOUT RELAY	TI-3 (0.2)	-	-	-	237234Sh01
DMT	TRIP AND SIGNAL RELAY	DMT	-	-	-	237234Sh01
LV OC&EF-A	LV OVERCURRENT & EARTH FAULT RELAY	MICOM P115	-	227351Sh01	-	-
PIR	PILOT INTERLOCK RELAY	PIR	-	-	-	237234Sh01
SOC	SUMMATED OVERCURRENT RELAY	CO-9	-	-	-	237234Sh01
TI-Th	THERMAL TRIP INDICATOR (DRY TYPE TRANSFORMERS)	TI-2 (CITY)	-	-	-	237234Sh01
		TI-3	237230Sh02	227352Sh01	-	-
TR	MULTI-TRIPPING RELAY	2HS522K10	-	-	-	237234Sh01
TxOC	TRANSFORMER OVERCURRENT RELAY	CO-9	237230Sh02	-	-	237234Sh01
TxOC Aux	TRANSFORMER OVERCURRENT AUXILIARY TRIP INDICATOR	TI-2 (CITY)	-	-	-	237234Sh01
TXP-B	TRANSFORMER PROTECTION RELAY	SEL-751A	-	227351Sh01	-	-

CAD DRAWING
DO NOT MANUALLY AMEND

AMENDMENTS

1. RELAY TYPES PCD & TI3 (CITY) DELETED.
NEW TI2 (CITY) & TI3 RELAYS ADDED.
DMT & PIR RELAYS WERE TYPES XXXX & XXXIX.
CITY PROT PANEL DWG NUMBERS ALTERED.
PN DS 209-1-55-2
P JARVIS 10.08.09
CHECKED: P.EASTON
APPROVED: P.EASTON

2. NEW AUSGRID BORDER & LOGO ADDED.
R.L.A.L.A.A 30-09-2013
APPROVED T.LAMPARD

3. REF A1: REPLACED CDG33 WITH CO-9.
REF A3 & C3: ADDED MICOM P115 & SEL-751A RELAYS.
REF D/E5-D/E8: AMENDED TABLE RELAY CHANGES & FOR SINGLE Tx & OAFD SUBSTATION OPTIONS.
REF NOTES: ADDED NOTE 4.
L.MARTINUZZI 06-03-2015
CHECKED: L.MARTINUZZI
APPROVED: M.BENNETT
PN: OPEX-1831-1-3-1



SCALE	1:5
DESIGNED	-
DRAWN	PWJ
CHECKED	PIE
APPROVED	MT
DATE	10.6.08
PROJECT NUMBER	208/6/9/4
PROJTRAK NUMBER	-

CITY AND SUBURBAN DISTRIBUTION SUBSTATIONS PROTECTION RELAYS DRILLING DETAILS

SIZE **A2** DRAWING No **191086** SHEET **1** AMD **3**