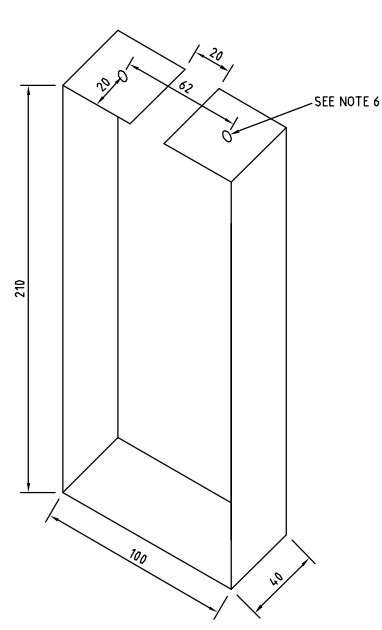
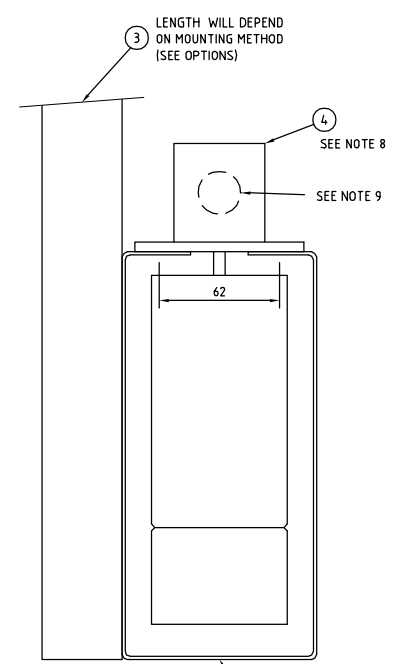


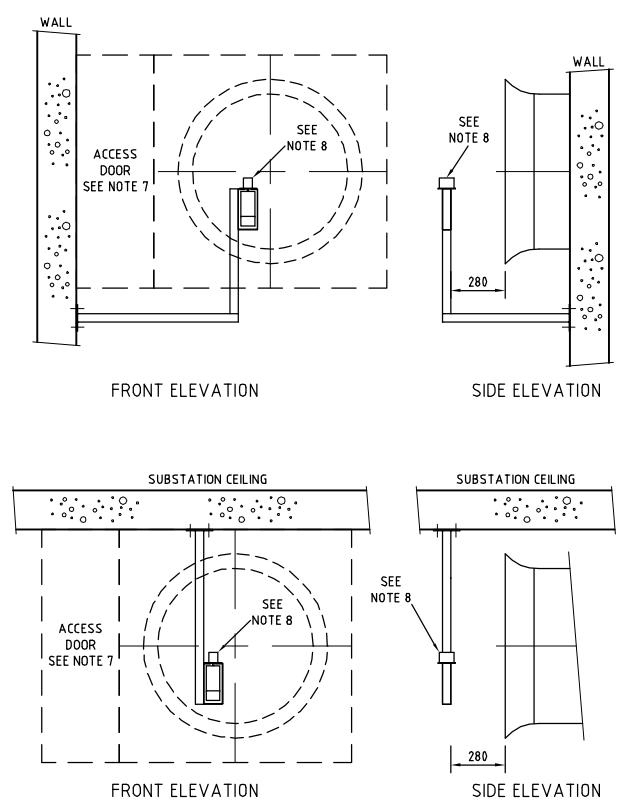
**JUNCTION BOX MOUNTING
(ITEM 2)**



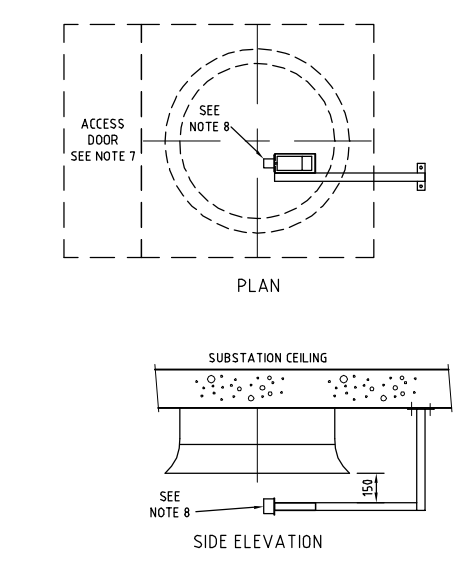
**AIR VANE SWITCH MOUNTING BRACKET
(ITEM 1)**



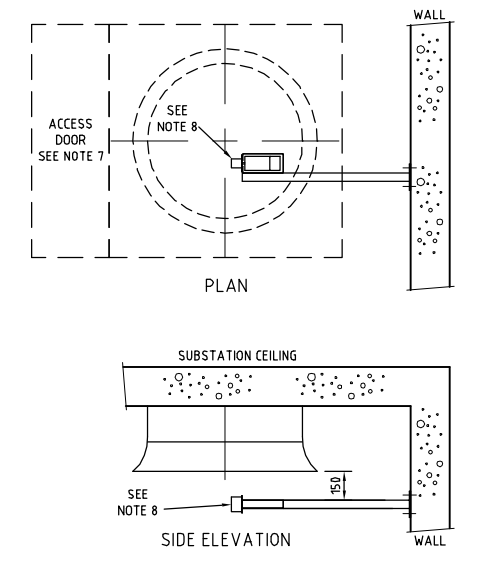
**AIR VANE FLOW SWITCH (ITEM 4)
MOUNTING**



**HORIZONTAL FAN
SWITCH BRACKET MOUNTING OPTIONS
(SCALE 1:20)**



**VERTICAL FAN
SWITCH BRACKET CEILING MOUNTING
OPTIONS
(SCALE 1:20)**



**VERTICAL FAN
SWITCH BRACKET WALL MOUNTING
OPTIONS
(SCALE 1:20)**

NOTES

MANUFACTURE:

- A. AIR VANE SWITCH MOUNTING BRACKET (ITEM 1) TO BE MANUFACTURED FROM 1.6mm MILD STEEL AND PAINTED GREY.

INSTALLATION:

1. DRAWING TO BE READ IN CONJUNCTION WITH NS114 AND DRAWING 228912.
2. FIRE DETECTION THERMOSTAT (ITEM 5) TO BE SCREW MOUNTED APPROPRIATELY INSIDE JUNCTION BOX (ITEM 2)
3. DRILL THE NECESSARY HOLES (MINIMUM 2) TO MOUNT AIR VANE SWITCH MOUNTING BRACKET (ITEM 1) TO UNISTRUT (ITEM 3).
4. UNISTRUT TO BE INSTALLED SO THAT AIR VANE SWITCH RECEIVES SUFFICIENT AIR FLOW TO OPERATE.
5. JUNCTION BOX (ITEM 2) MAY BE MOUNTED ON UNISTRUT (ITEM 3) OR AIR VANE SWITCH MOUNTING BRACKET (ITEM 1).
6. 2 OFF #5 HOLES FOR MOUNTING AIR VANE FLOW SWITCH (ITEM 4)
7. ENSURE VENTILATION DUCT ACCESS DOOR IS NOT IMPEDED BY SWITCH MOUNTING BRACKET AND ANY ASSOCIATED CONDUITS AND CABLING.
8. ENSURE THERE IS SUFFICIENT ACCESS TO AIR VANE FLOW SWITCH FOR TERMINAL COVER REMOVAL AND SWITCH ADJUSTMENT.
9. WIRING TO BE INSTALLED USING FLEXIBLE CABLING, GLANDS AND CONDUIT SECURED WITH CABLE TIES AS REQUIRED. CONDUIT MAY BE INSTALLED INSIDE UNISTRUT BRACKET. DRILL THE APPROPRIATE HOLE IN JUNCTION BOX FOR CONDUIT GLAND INSTALLATION. AIR VANE SWITCH IS SUPPLIED WITH PREDRILLED HOLE FOR CONDUIT ENTRY.

REFERENCE DRAWINGS	DWG. NO.
MARK IV SUBSTATION FAN CONTROL SCHEMATIC	228912
STANDARD SUBSTATION DESIGN - CONSTRUCTION DETAILS MISCELLANEOUS	48008

ITEM	DESCRIPTION	STOCK CODE	QTY.
1	PAINTED MILD STEEL BRACKET	MANUFACTURE	1
2	CAST ALUMINIUM JUNCTION BOX - HAMMOND 1590E (OR EQUIVALENT)	PURCHASE	1
3	UNISTRUT P1000 OR EQUIVALENT	123455	AS REQ
4	AIR VANE FLOW SWITCH - DWYER MODEL 530	PURCHASE	1
5	FIRE DETECTION THERMOSTAT - ROBERTSHAW ST1201133	PURCHASE	1

CAD DRAWING
NO. AMENDMENTS

CONSTRUCTION

NETWORK STANDARD
Ausgrid
ENGINEERING DIVISION
PRIMARY SYSTEMS
25-27 POMEROY STREET, HOMEBUSH

SCALE	AS SHOWN
DESIGNED	C.MABBUTT
DRAWN	P.JARVIS
CHECKED	P.TURRIN
APPROVED	28/02/2014
DATE	
PROJECT NUMBER	PM02-02013-0-21011
PROJTRAK NUMBER	

**CITY DISTRIBUTION SUBSTATIONS
VENTILATION
AIR VANE SWITCH MARK IV
MANUFACTURE AND INSTALLATION DETAILS**

SIZE: **A1** DRAWING NO: **228913** SHEET: **1** OF: **0**