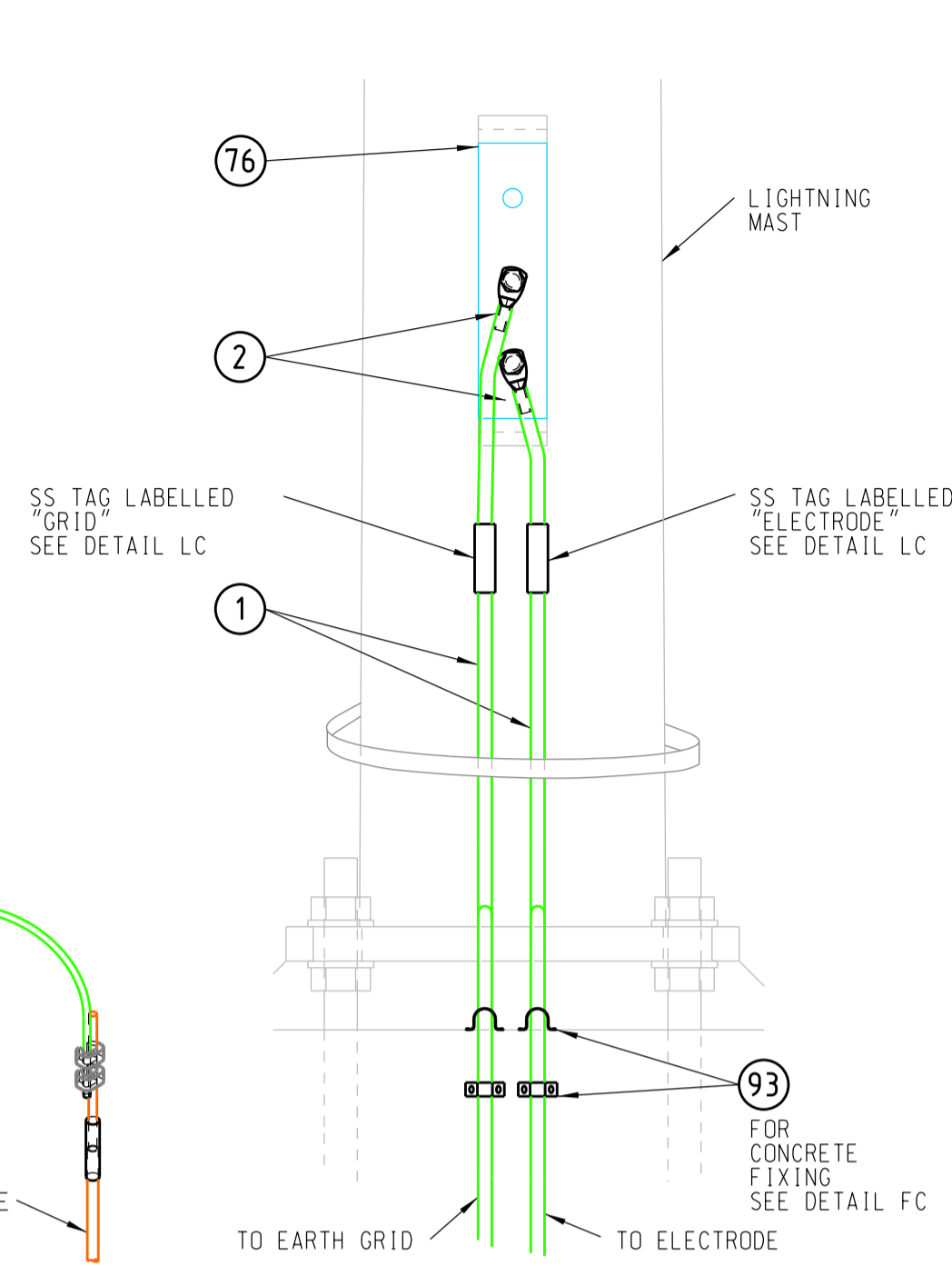
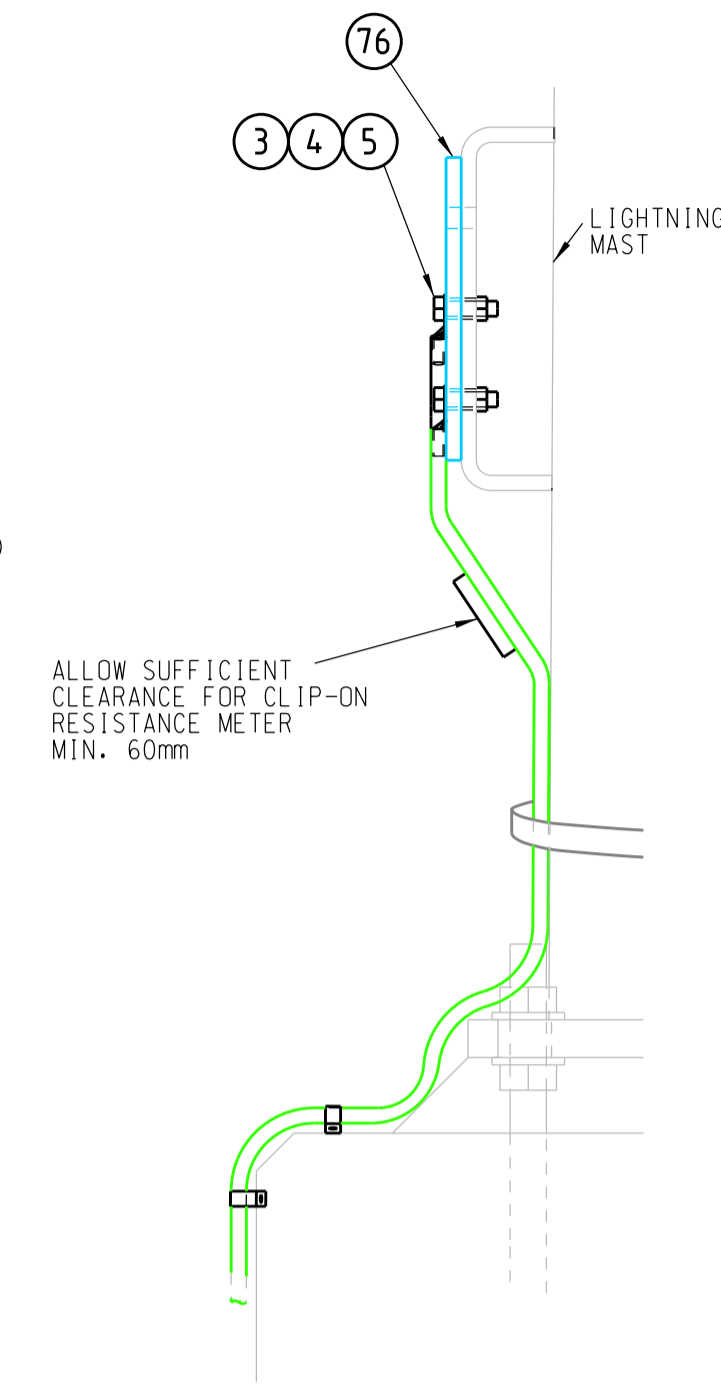


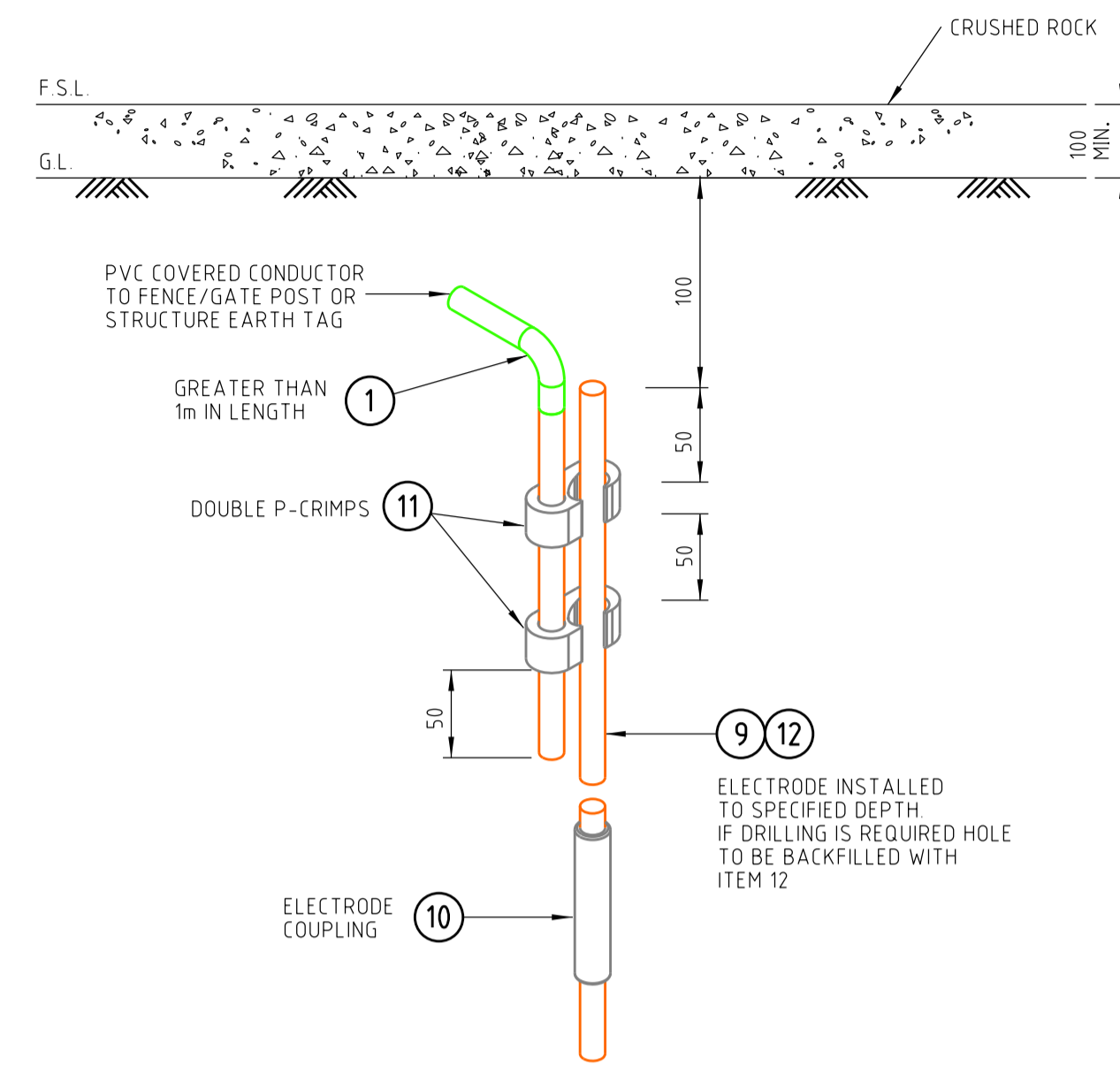
ISOMETRIC VIEW



FRONT VIEW



END VIEW

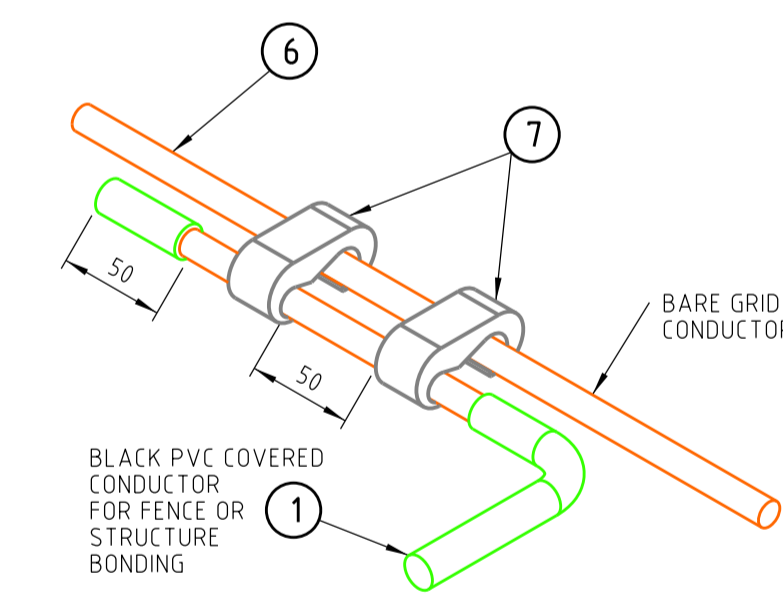


EARTH ELECTRODE DIRECT BURIED DETAIL (BE)

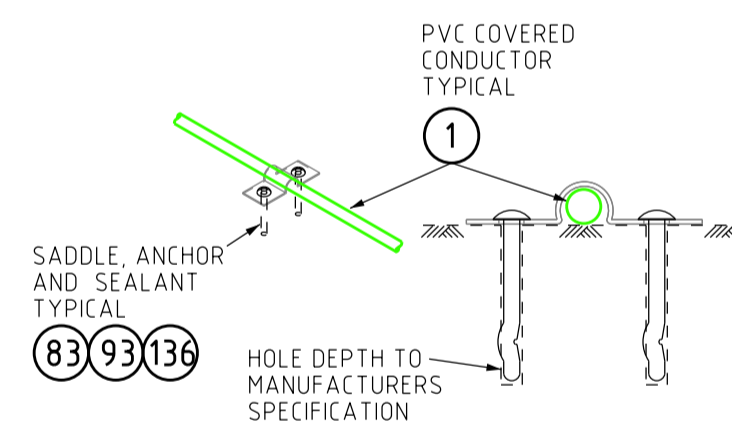
NOTES:

- ONLY ONE CONNECTION TO BOLT ALLOWED.
- ALL CONNECTIONS TO BE CLEARLY & PERMANENTLY LABELLED WITH CABLE DESTINATION.
- ALL DIMENSIONS ARE IN MILLIMETERS UNLESS NOTED OTHERWISE.
- DO NOT SCALE, DIMENSIONS TAKE PRECEDENCE.
- (B.W) WITH STOCK CODES INDICATES BLACKWOODS PRODUCTS.
- ALL CONNECTIONS ON EARTH BARS TO BE CLEARLY & PERMANENTLY LABELLED WITH CABLE DESTINATION SEE DETAIL LC.
- STRANDED EARTH CONDUCTORS TO BE SECURED TO CONCRETE FOOTING USING STAINLESS STEEL SADDLES, SEALANT & ANCHORS SEE DETAIL FC.

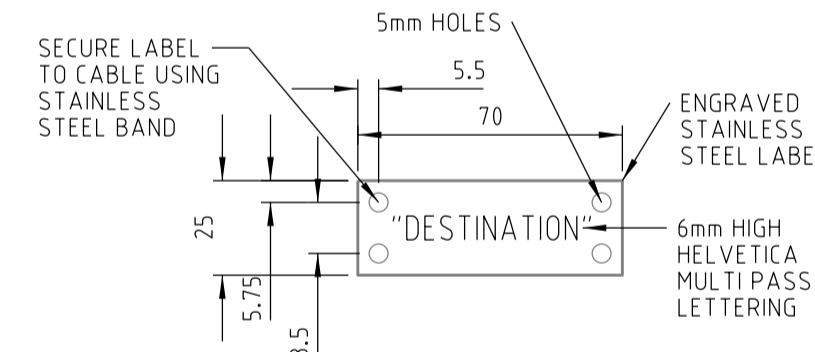
NETWORK STANDARD



CRIMPED CONNECTION EARTH GRID CONDUCTORS 3-WAY OR T JUNCTION PVC COVERED TO BARE CONDUCTOR DETAIL (C3)



PVC COVERED CABLE FIXING TO CONCRETE SLAB DETAIL (FC)



EARTH CONDUCTOR ENGRAVED STAINLESS STEEL LABEL DETAIL (LC)

ITEM NO.	ITEM	DESCRIPTION	STOCK CODE
136	JOINT SEALANT	SIKA FLEX PRO - CONCRETE GREY	
93	ANCHOR	MUSHROOM HEAD SPIKE - POWERS 5mm * 38mm STAINLESS STEEL GRADE 316 FOR FIXING UP TO 6mm MATERIALS TO CONCRETE OR BRICK. PACK OF 100	
88	STRAPPING BAND	BAND-IT STRAPPING BAND - 19mm STAINLESS STEEL	177721
83	ANCHOR FULL SADDLE	ANCHOR SADDLE - FULL SADDLE STAINLESS STEEL GRADE 316 (70mm ² CABLE)	
76	FLAT BAR	FLAT BAR - 50.8 x 3.18mm - TINNED HD COPPER	179661
12	EARTHING COMPOUND	EARTHING COMPOUND - "GOOD EARTH" 15KG BAG USE AROUND ELECTRODE IN PIT	99861
11	CONNECTOR COMPRESSION	CONNECTOR - 070mm ² BURNDY STYLE YGHP CRIMP	H31699
10	ELECTRODE COUPLING	ELECTRODE COUPLING - Ø15mm BRASS	H31649
9	ELECTRODE ROD	ELECTRODE ROD - Ø15mm - 1800 LONG COPPER CLAD	H31631
7	CONNECTOR COMPRESSION	CONNECTOR - 070mm ² BURNDY STYLE YGHC CRIMP 35/70mm ² RUN & 35/70mm ² TAP	177942
6	CONDUCTOR	CONDUCTOR - 070mm ² STRANDED COPPER - BARE	176140
5	FASTENERS WASHER	FASTENERS - WASHER - M12 BELLEVILLE STAINLESS STEEL TO A.S. 316	
4	FASTENERS WASHER	FASTENERS - WASHER - M12 FLAT STAINLESS STEEL TO A.S. 316	49429
3	FASTENERS BOLT & NUT	FASTENERS - BOLT & NUT - M12 HEX STAINLESS STEEL TO A.S. 316/A2 & 316/A4 - LENGTH TO SUIT	
2	LUG COMPRESSION	LUG - 070mm ² M12 TINNED COPPER HEX COMPRESSION	74831
1	CONDUCTOR	CONDUCTOR - 070mm ² STRANDED COPPER - BLACK PVC COVERED	60111

MATERIALS LIST

CAD DRAWING DO NOT MANUALLY AMEND A. R. E. M. E. N. T. S. DWN B.B.	CHKD: PETER STOREY APP'D: PETER STOREY	DATE: 07/12/2003 LIGHTNING MAST DETAIL ALTERED, JUNCTION DETAILS REMOVED	DWN: AARON BULBERT CHKD: BEN STADDON APP'D: MICHAEL GRIFFITHS	DATE: 08/02/2013 ADDED ITEMS 83, 93, 136 IN MATERIALS LIST & C3 CHANGED TO AUSGRID PAGE LAYOUT.
---	---	---	---	--

20110901	1	2	3	4	5	6	7	8	9	10	11	12
----------	---	---	---	---	---	---	---	---	---	----	----	----

DESCRIPTION	ITEM NO.
LIGHTNING SPIRE AND FLOODLIGHTING 4 LIGHT DESIGN GENERAL ARRANGEMENT	A1-169818
LIGHTNING SPIRE AND FLOODLIGHTING 2 LIGHT DESIGN GENERAL ARRANGEMENT	A1-162013
EARTH BAR DETAILS FOR STEEL FLANGE MOUNTED POLES	A4-161887
FOOTING DETAILS FOR 7m-12m STEEL FLANGE MOUNTED LIGHTNING SPIRE.	A2-162812
FOOTING DETAILS FOR 13m-15m STEEL FLANGE MOUNTED LIGHTNING SPIRE.	A2-162292
FOOTING DETAILS FOR 18m-20m STEEL FLANGE MOUNTED LIGHTNING SPIRE.	A2-162293

ASSOCIATED DRAWINGS

Ausgrid
DESIGN & ENGINEERING BRANCH
145 NEWCASTLE RD WALLSEND, NSW 2287
Ph 02 4951 9388
Fax 02 4951 9389

SCALE DESIGNED DRAWN CHECKED APPROVED DATE	NTS PETER STOREY PAUL MCEWAN PETER STOREY R HUGHES 24/11/03
PROJECT NUMBER	EH102-82

STANDARD CONSTRUCTION STEEL FLANGE MOUNTED LIGHTNING SPIRE EARTHING DETAILS	SIZE A1	DRAWING No 162611	SHEET 01	AMD 2
--	------------	----------------------	-------------	----------