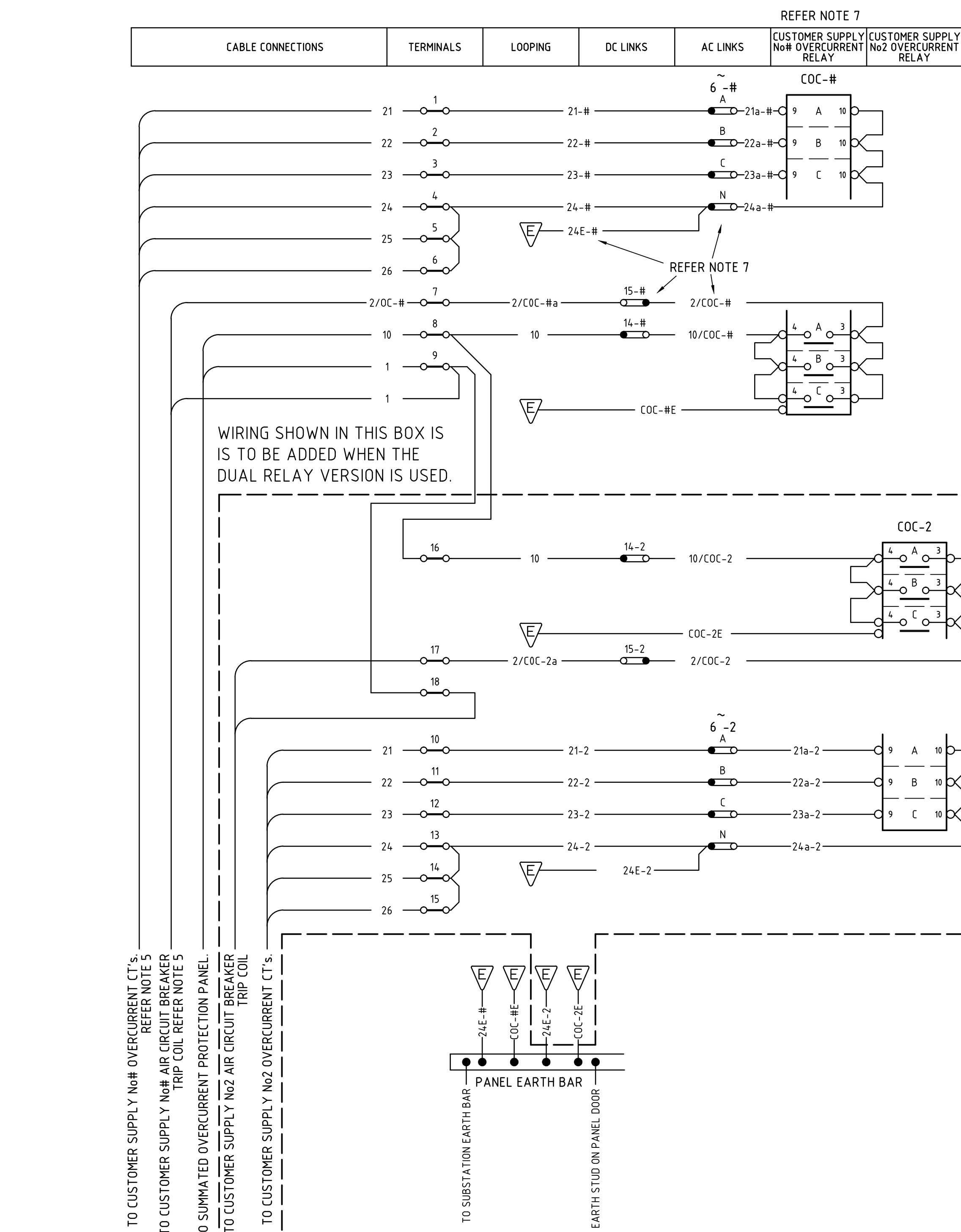


CUSTOMER SUPPLY WITH DISCONNECT OR LINK CONNECTED BUSBAR WIRING DIAGRAM

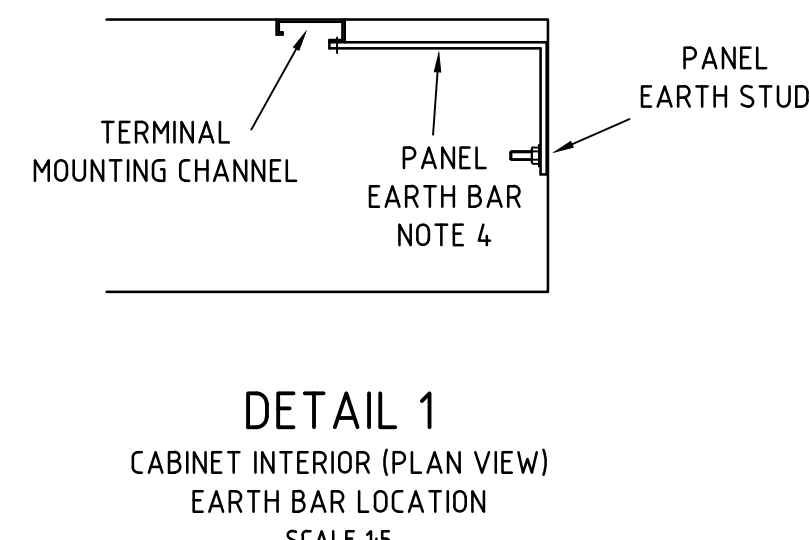


CUSTOMER SUPPLY WITH AIR CIRCUIT BREAKER WIRING DIAGRAM

**LABEL DETAILS**

LABEL	LABEL SIZE	COLOUR	TEXT LINE	TEXT HEIGHT	ENGRAVING	No OFF
1	C8	GRAVOPLY No.200 WHITE/BLACK	LINE 1 LINE 2	8 8	CUSTOMER OVERCURRENT #	1
2	C2	GRAVOPLY No.200 WHITE/BLACK	LINE 1 LINE 2	2.5 2.5	CUSTOMER OVERCURRENT BATTERY LINK	1
3	C2	TRAFFOLYTE YELLOW/BLACK/YELLOW	LINE 1 LINE 2	2.5 2.5	CUSTOMER OVERCURRENT TRIP LINK	1
4	C1	GRAVOPLY No.259 PINE GREEN/WHITE	LINE 1 LINE 2 LINE 3 LINE 4	4.0 2.5 2.5 2.5	A B C N CUSTOMER OVERCURRENT RELAY TEST LINKS	1
5	C8	GRAVOPLY No.200 WHITE/BLACK	LINE 1 LINE 2	8 8	CUSTOMER OVERCURRENT	1
6	C2	GRAVOPLY No.200 WHITE/BLACK	LINE 1 LINE 2	2.5 2.5	CUSTOMER OVERCURRENT RELAY 1	1
7	C2	GRAVOPLY No.200 WHITE/BLACK	LINE 1 LINE 2	2.5 2.5	CUSTOMER OVERCURRENT RELAY 2	1
8	C2	GRAVOPLY No.200 WHITE/BLACK	LINE 1 LINE 2 LINE 3	2.5 2.5 2.5	CUSTOMER OVERCURRENT RELAY 1 BATTERY LINK	1
9	C2	GRAVOPLY No.200 WHITE/BLACK	LINE 1 LINE 2 LINE 3	2.5 2.5 2.5	CUSTOMER OVERCURRENT RELAY 1 TRIP LINK	1
10	C1	GRAVOPLY No.259 PINE GREEN/WHITE	LINE 1 LINE 2 LINE 3 LINE 4	4.0 2.5 2.5 2.5	A B C N CUSTOMER OVERCURRENT RELAY TEST LINKS	1
11	C2	GRAVOPLY No.200 WHITE/BLACK	LINE 1 LINE 2 LINE 3	2.5 2.5 2.5	CUSTOMER OVERCURRENT RELAY 2 BATTERY LINK	1
12	C2	GRAVOPLY No.200 WHITE/BLACK	LINE 1 LINE 2 LINE 3	2.5 2.5 2.5	CUSTOMER OVERCURRENT RELAY 2 TRIP LINK	1
13	C1	GRAVOPLY No.259 PINE GREEN/WHITE	LINE 1 LINE 2 LINE 3 LINE 4	4.0 2.5 2.5 2.5	A B C N CUSTOMER OVERCURRENT RELAY TEST LINKS	1
14	C4	GRAVOPLY No.248 RED/WHITE	LINE 1 LINE 2 LINE 3 LINE 4	3 3 3 3	MASTER BATTERY LINKS LOCATED ON SUBMATED OVERCURRENT PANEL	1

REFER NOTE 7



DETAIL 1 CABINET INTERIOR (PLAN VIEW) EARTH BAR LOCATION SCALE 1:5

NOTES

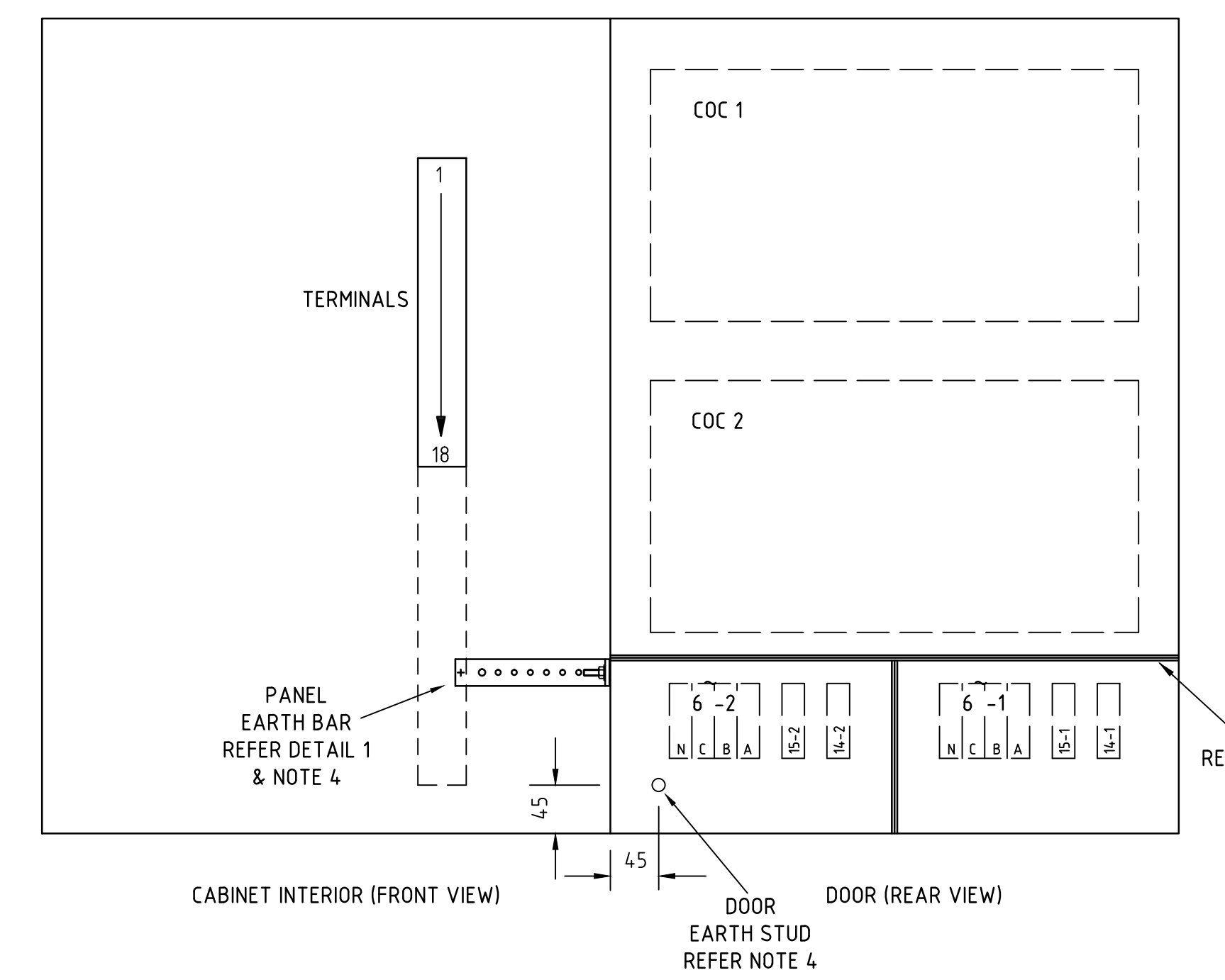
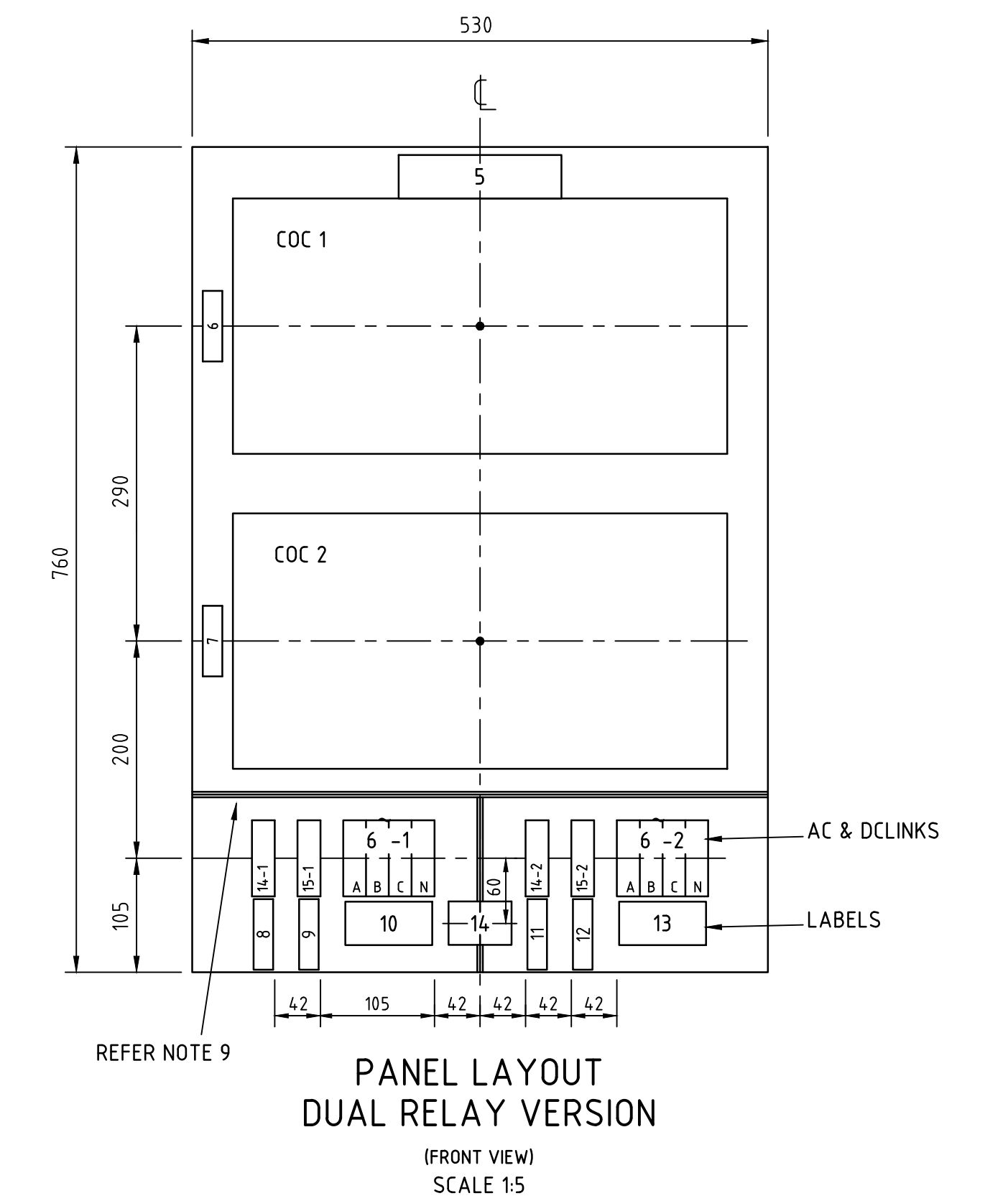
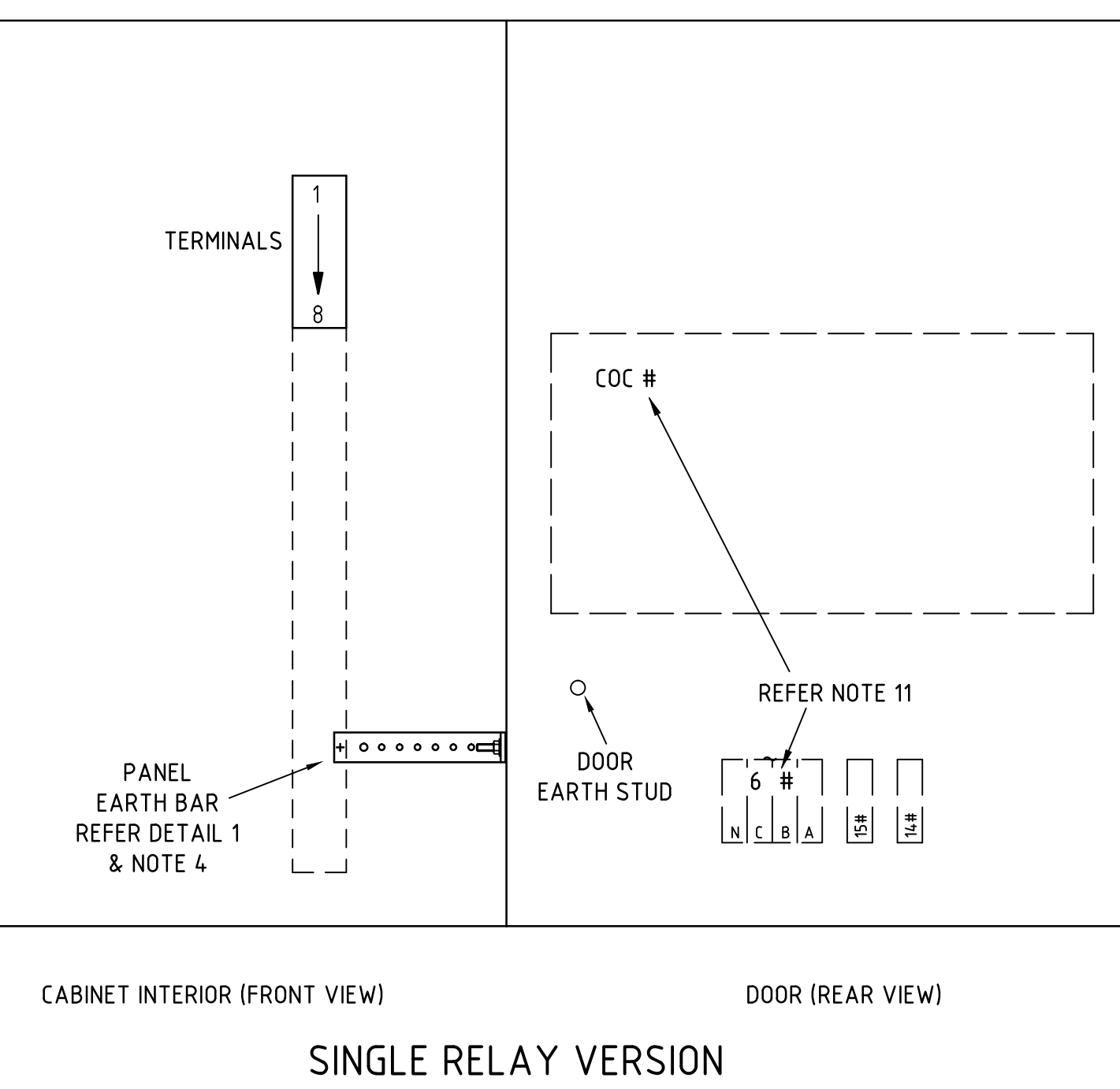
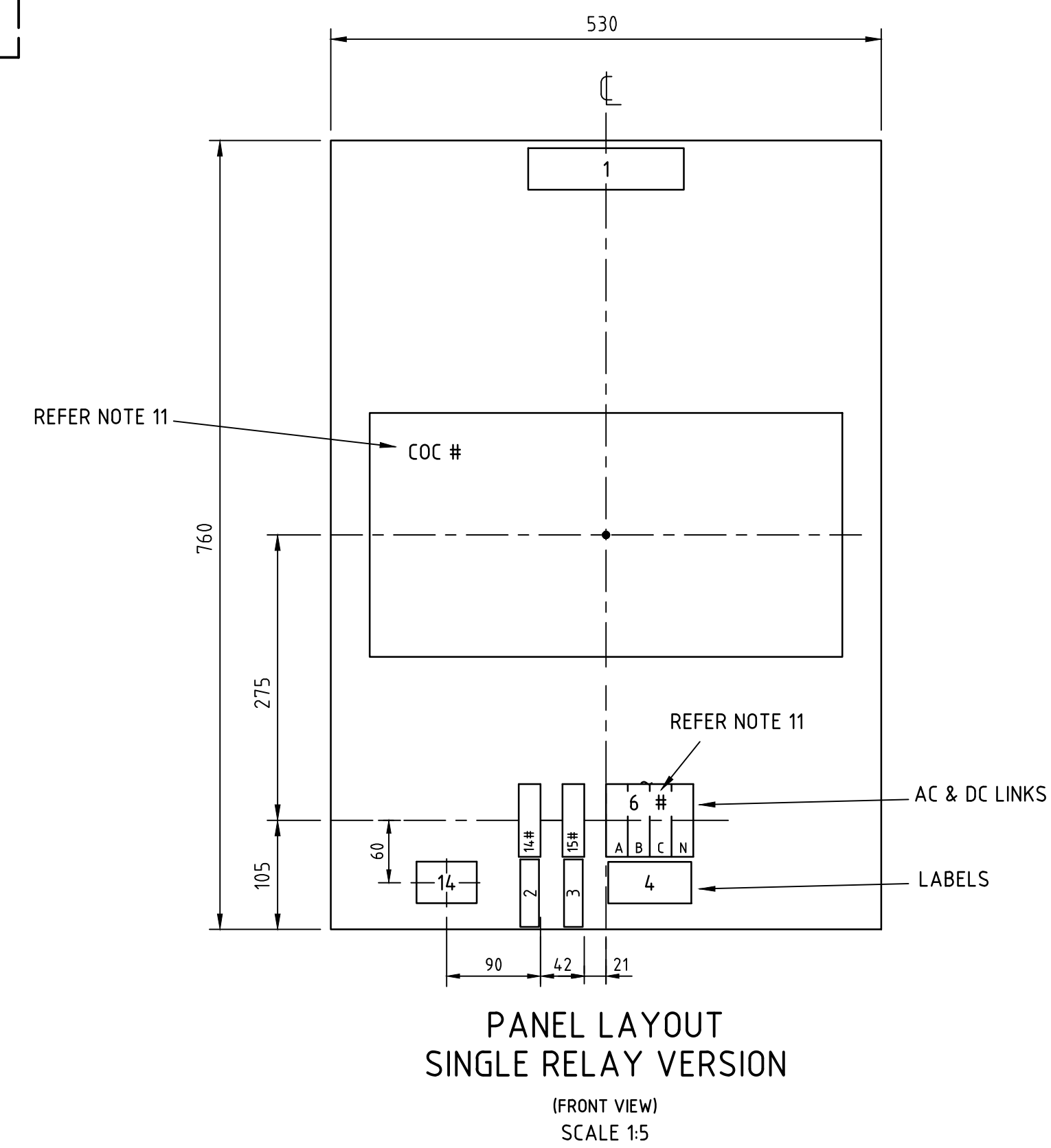
- THIS DRAWING SHOWS THE CUSTOMER SUPPLY OVERCURRENT PROTECTION PANEL & WIRING TO BE USED IN CHAMBER TYPE SUBSTATIONS AND SHOULD BE READ IN CONJUNCTION WITH NETWORK STANDARDS AND THE SUBSTATION DESIGN INFORMATION PACKAGE.
- ALL PANEL WIRING IS TO BE 7/0.67, 0.6&V V75 GRADE WITH PVC INSULATION. ALL INSULATION IS TO BE GREY COLOURED EXCEPT FOR EARTH WIRES WHICH ARE TO BE GREEN/YELLOW.
- A DOT ON A LINK ( ) INDICATES BOTTOM TERMINAL.
- A 25mm x 4mm HDHC COPPER EARTH BAR IS TO BE MADE AND BOLTED TO THE CABINET EARTH STUD AND THE TERMINAL ROW B MOUNTING CHANNEL AS SHOWN IN DETAIL 1. THE EARTH BAR IS TO BE DRILLED TO ACCOMMODATE INDIVIDUAL CONNECTIONS FROM THE PANEL DOOR, LINKS, RELAY CASES AND THE 6mm CABLE FROM THE SUBSTATION EARTH BAR. CONNECTIONS ARE TO BE EVENLY SPACED ALONG LENGTH OF EARTH BAR. FOR THE DUAL RELAY VERSION THE PANEL DOOR EARTH STUD IS TO BE RELOCATED AS SHOWN.
- EARTH CONNECTIONS DESIGNATED ARE TO BE CONNECTED INDIVIDUALLY TO THE EARTH BAR.
- FOR LOOM METHOD OF WIRING REFER TO DRAWING A1-52474.
- IN THE WIRING DIAGRAM SUBSTITUTE THE CUSTOMER SUPPLY NUMBER FOR # WHEN A SINGLE RELAY VERSION IS USED OR SUBSTITUTE 1 FOR # WHEN A DUAL RELAY VERSION IS USED.
- THIS WALL MOUNTED PANEL IS TO BE CONSTRUCTED IN ACCORDANCE WITH MARK 1 OF DWG A2-28630.
- WERE SHOWN A 5mm WIDE WHITE LINE IS TO BE PAINTED ON THE FRONT OF THE PANEL AND A 5mm WIDE BLACK LINE IS TO BE PAINTED ON THE REAR OF THE PANEL.
- LABELS ARE TO BE MADE AND POSITIONED AS SHOWN ON DRAWING B1-178241.
- DRILLING FOR RELAYS AND LINKS ARE SHOWN ON DRAWING B1-178241 AND A2-191086.
- THE CUSTOMER SUPPLY NUMBER FOR THE RELEVANT SUBSTATION IS TO BE ENGRAVED ON LABELS 1,2,3 & 4 WHERE # IS SHOWN.

**REFERENCE DRAWINGS**

DESCRIPTION	TYPE
RMICB SUBS WITH E LV BOARDS AC / DC SCHEMATICS	A0-178232
RMICB SUBS WITH H2 LV BOARDS, LV Tx & CUSTOMER ACB'S AC / DC SCHEMATICS	B1-167467
RMICB SUBSTATIONS WITH H2 LV BOARDS SCHEMATICS	B1-15249
CITY SUBSTATIONS WITH H2 LV BOARDS & MITSUBISHI M2 ACB'S - AC/DC SCHEMATICS	B1-174462
DISTRIBUTION SUBSTATIONS LABELS & MOULDED LINK DETAILS	B1-178241
DISTRIBUTION SUBSTATIONS PROTECTION RELAY DRILLING DETAILS	A2-191086
LOOM METHOD OF PANEL WIRING	A1-52474
UTILUX H3820 RAIL MOUNTED TERMINALS	A3-118547
WALL MOUNTED RELAY PANEL STEELWORK	A1-28632

**LEGEND**

SYMBOL	DESCRIPTION	TYPE
	CUSTOMER OVERCURRENT RELAY	CDG 33
	TERMINAL UTILUX TYPE H3820 WITH UTILUX H2333 MOUNTING CHANNEL	



DUAL RELAY VERSION TO BE USED WHERE WALL SPACE IS LIMITED.

- CAD DRAWING OF THE DRAWING
- FOR CITY & SUBURBAN USE
- NOT CONNECTED
- WIRING ADDED FOR CUSTOMER AIR CIRCUIT BREAKER.
- TERMINAL NUMBERING AND QUANTITY REVISED.
- TERMINALS WERE SHOWN IN RED.
- TERMINALS AND BAIL ADDED TO LEGEND.
- REF DWG A0-178232 ADDED.
- REF DWG A2-191086 ADDED.
- REF DWG A1-52474 ADDED.
- REF DWG A3-118547 ADDED.
- REF DWG A1-28632 ADDED.
- REF DWG A2-28630 ADDED.
- REF DWG B1-178241 ADDED.
- REF DWG B1-174462 ADDED.
- REF DWG B1-15249 ADDED.
- REF DWG B1-167467 ADDED.
- REF DWG B1-178241 ADDED.
- REF DWG A2-191086 ADDED.
- REF DWG A1-52474 ADDED.
- REF DWG A3-118547 ADDED.
- REF DWG A1-28632 ADDED.



DESIGN SERVICES 24 CAMPBELL ST SYDNEY NSW 2000

SCALE	AS SHOWN
DESIGNED	-
DRAWN	DRB
CHECKED	PIE
APPROVED	-
DATE	22.8.91
PROJTRK No.	-
PROJECT NUMBER	-

CITY AND SUBURBAN DISTRIBUTION SUBSTATIONS WALL MOUNTED CUSTOMER SUPPLY OVERCURRENT PROTECTION PANEL DRILLING, WIRING AND CABLING

DRAWING No	118558	SHEET	-	AMD	8	SIZE	A0
------------	--------	-------	---	-----	---	------	----