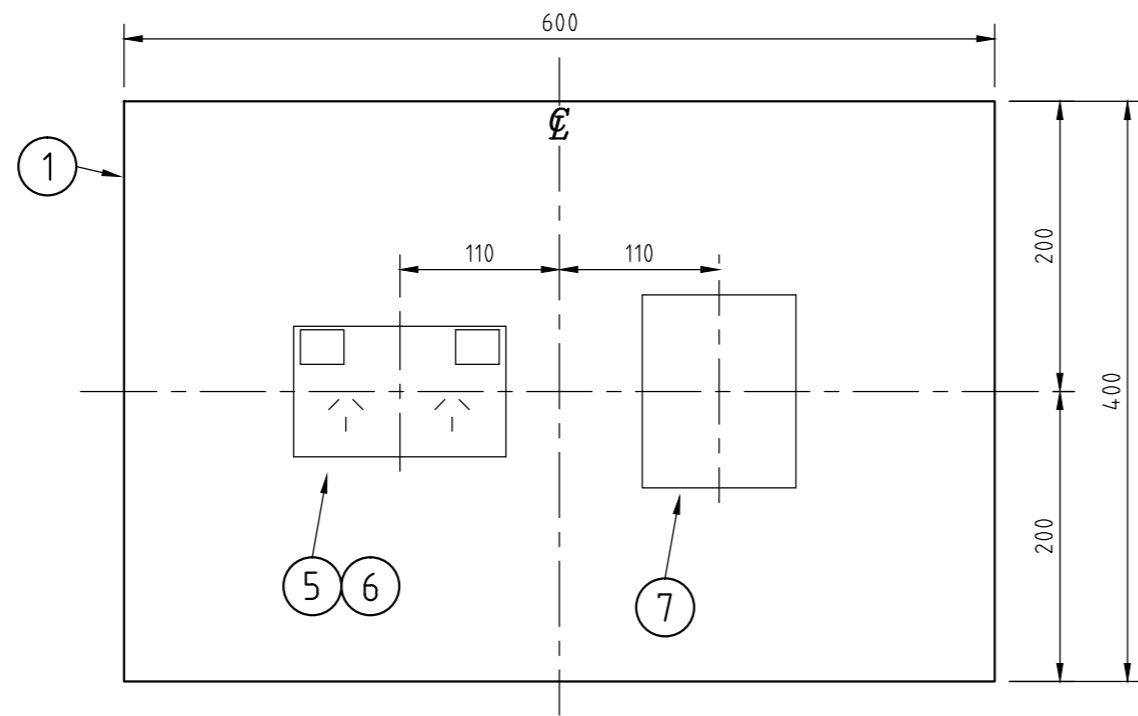
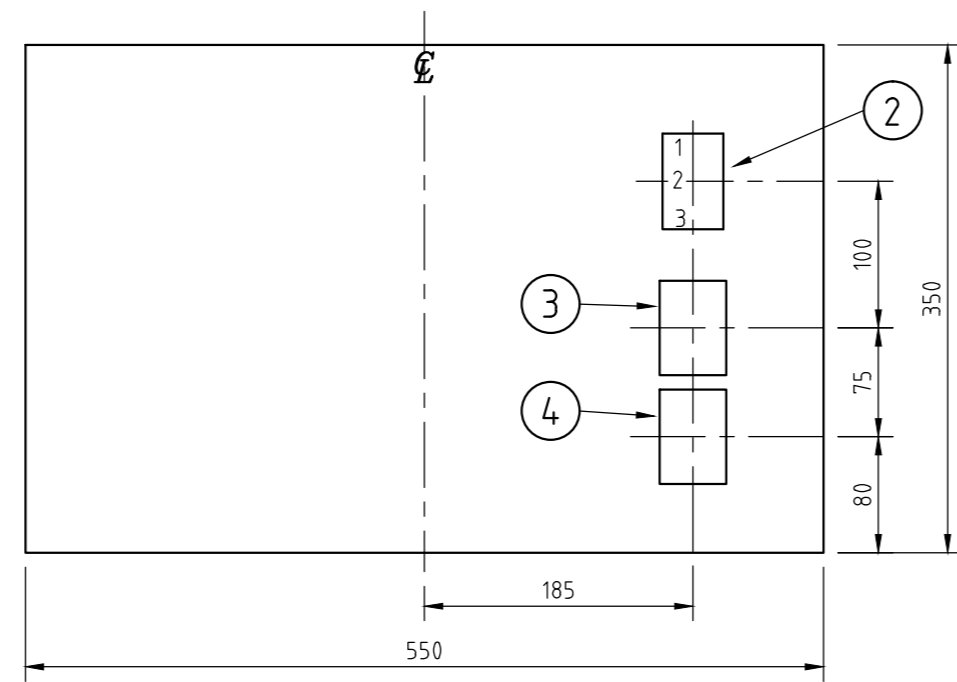


DOOR (FRONT VIEW)
GENERAL ARRANGEMENT
SCALE 1:5
SEE NOTE 4 & 5



INTERIOR PANEL (FRONT VIEW)
GENERAL ARRANGEMENT
SCALE 1:5
SEE NOTE 4 & 5



ITEM No	DESCRIPTION	REMARKS	No. OFF
7(3)	16A 1φ 8kA MINIATURE C/B (BATTERY CHARGER)	CLIPSAL TYPE 4CB116	1
7(2)	16A 1φ 8kA MINIATURE C/B (LIGHTS/FAN)	CLIPSAL TYPE 4CB116	1
7(1)	20A 1φ 8kA MINIATURE C/B (1φ POWER)	CLIPSAL TYPE 4CB120	1
7	4 MODULE SWITCHBOARD	CLIPSAL TYPE 4CC4	1
6	MOUNTING BLOCK	HPM TYPE 140	1
5	10A DOUBLE GPO	HPM TYPE 777	1
4	EARTH LINK	CLIPSAL TYPE L5	1
3	NEUTRAL LINK	CLIPSAL TYPE L5	1
2	TERMINAL STRIP (2:1-3)	KLIPPON ST5 85A	3
1	WALL MOUNTED BOX	EMPCO W4625	1

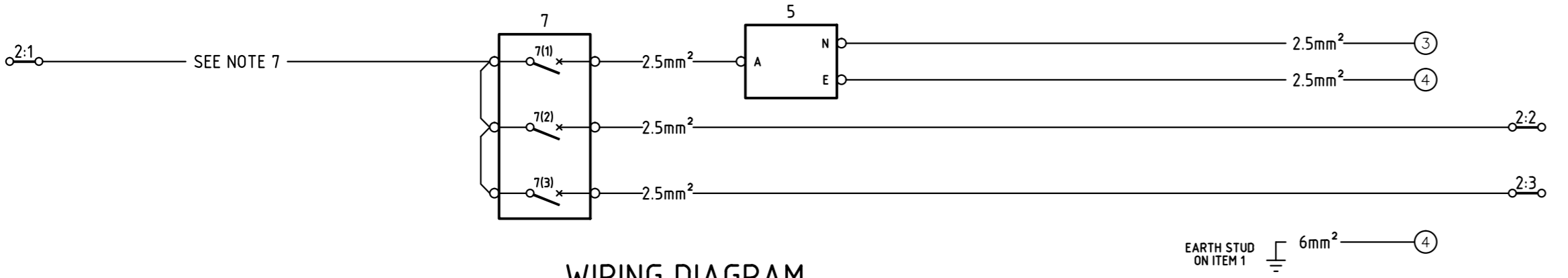
MATERIAL LIST (SEE NOTE 2)

NOTES

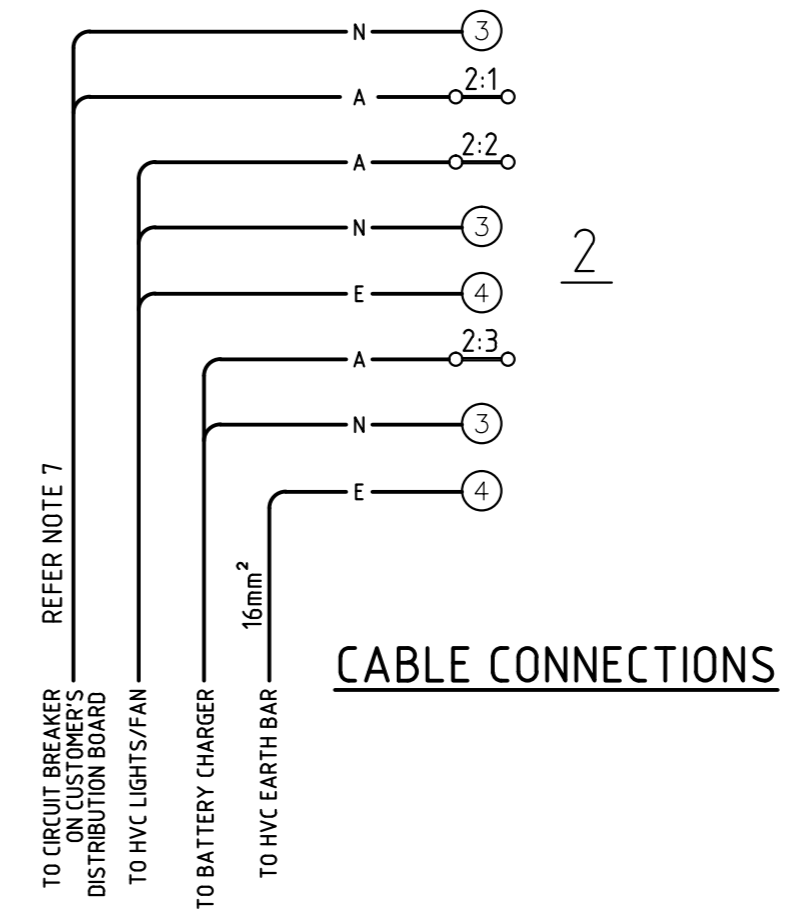
- THIS SERVICE BOARD IS DESIGNED FOR CHAMBER TYPE HIGH VOLTAGE CUSTOMER SUBSTATIONS.
- ALL MATERIALS SHOWN CAN BE SUBSTITUTED AS LONG AS THE SUBSTITUTE COMPONENT PROVIDES SIMILAR OR BETTER PERFORMANCE THAN THE ONE SHOWN. DETAILS PROVING THE PERFORMANCE OF OTHER PRODUCTS MUST BE SUBMITTED FOR ACCEPTANCE, IN ACCORDANCE WITH THE REQUIREMENTS OF NETWORK STANDARD NUS181, BEFORE USE.
- THIS DRAWING IS TO BE READ IN CONJUNCTION WITH RELEVANT NETWORK STANDARDS.
- DRILLING DETAILS FOR ALL COMPONENTS REFER TO THE MANUFACTURE FOR DETAILS.
- COMPRESSION TYPE CABLE LUGS ARE TO BE USED FOR CABLE TERMINATIONS ONTO ITEM 2.
- THE NEUTRAL AND EARTH LINK CONNECTIONS DESIGNATED BY ③ & ④ ARE TO BE INDIVIDUALLY CONNECTED TO THEIR LINK.
- CABLE TO BE 20 AMP AND OF ADEQUATE SIZE TO PREVENT VOLTAGE DROP, REFER TO AS 3000 FOR CABLE SIZE.

TERMINALS (2)	CABLE SIZE	SWITCHBOARD (7)	CABLE SIZE	DOUBLE GPO (5)	CABLE SIZE	NEUTRAL LINK (3)	EARTH LINK (4)	TERMINALS (2)

(SEE NOTE 6)



WIRING DIAGRAM



CABLE CONNECTIONS

CONSTRUCTION

CAD DRAWING
DID NOT MANUALLY AMEND
AMENDMENTS
1. NEW AUSGRID BORDER & LOGO ADDED.
24-09-2013
RLAALAA T.LAMPARD
APPROVED
2. BORDER CORRECTED.
CABLE CONNECTION DESTINATIONS CORRECTED.
NOTE 7 UPDATED TO INCLUDE CABLE RATING.
PN OPEX 6568-1-1-6
P.JARVIS 31.3.15
CHECKED: M.CHARAN
APPROVED: P.TURRIN

NETWORK STANDARD
Ausgrid
ENGINEERING DIVISION
PRIMARY SYSTEMS
TRANSMISSION & DISTRIBUTION SUBSTATIONS
25-27 POMEROY STREET, HOMEBUSH

SCALE	AS SHOWN
DESIGNED	-
DRAWN	PWJ
CHECKED	IWR
APPROVED	IWR
DATE	18.12.07
PROJECT NUMBER	208/6/9/2
PROJTRAK NUMBER	-

SIZE	DRAWING No	SHEET	AMD
A2	169394	1	2

HIGH VOLTAGE CUSTOMER SUBSTATIONS SERVICE BOARD GENERAL ARRANGEMENT AND WIRING DIAGRAM