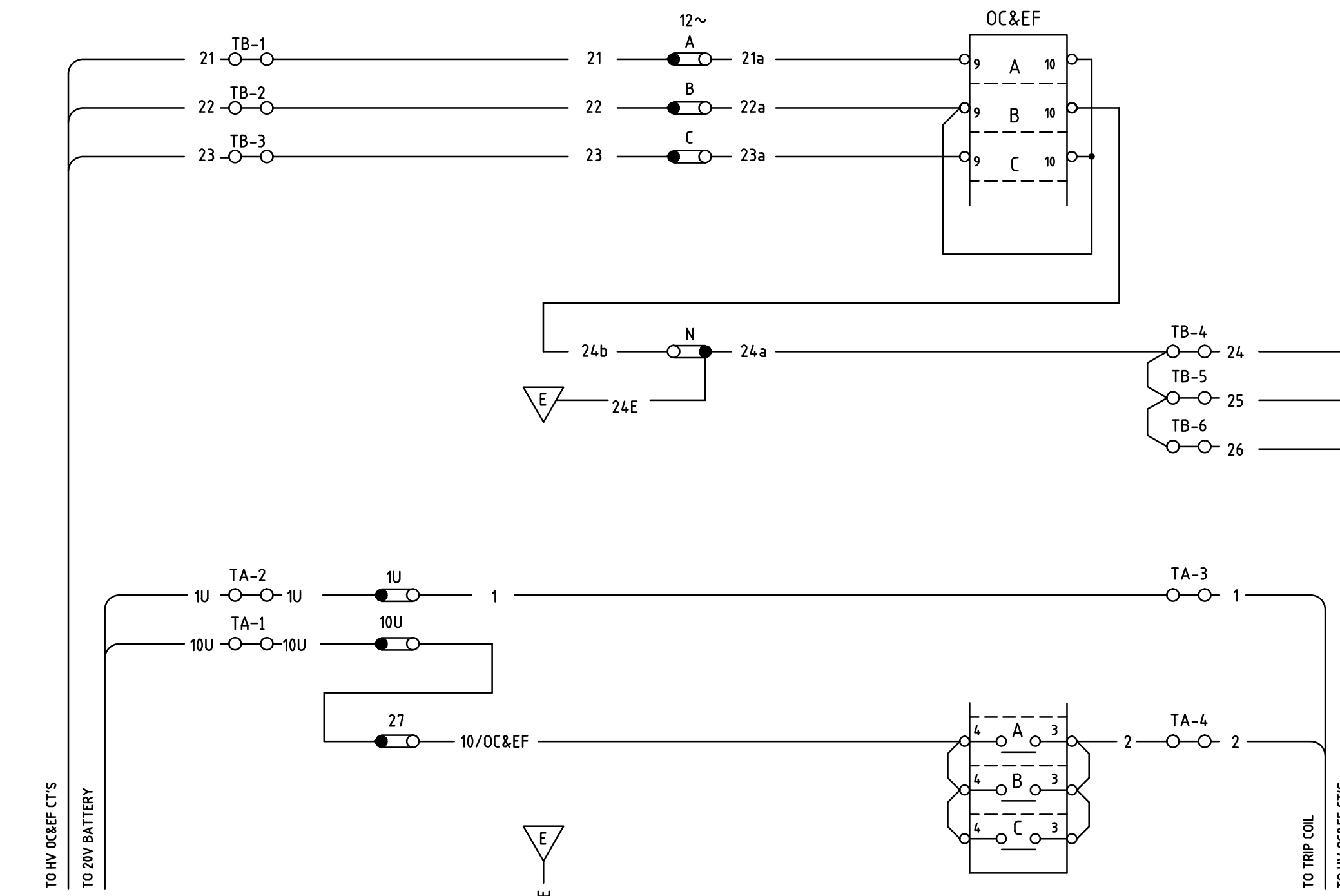
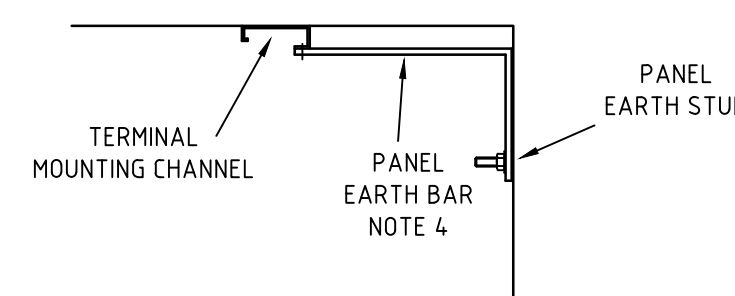
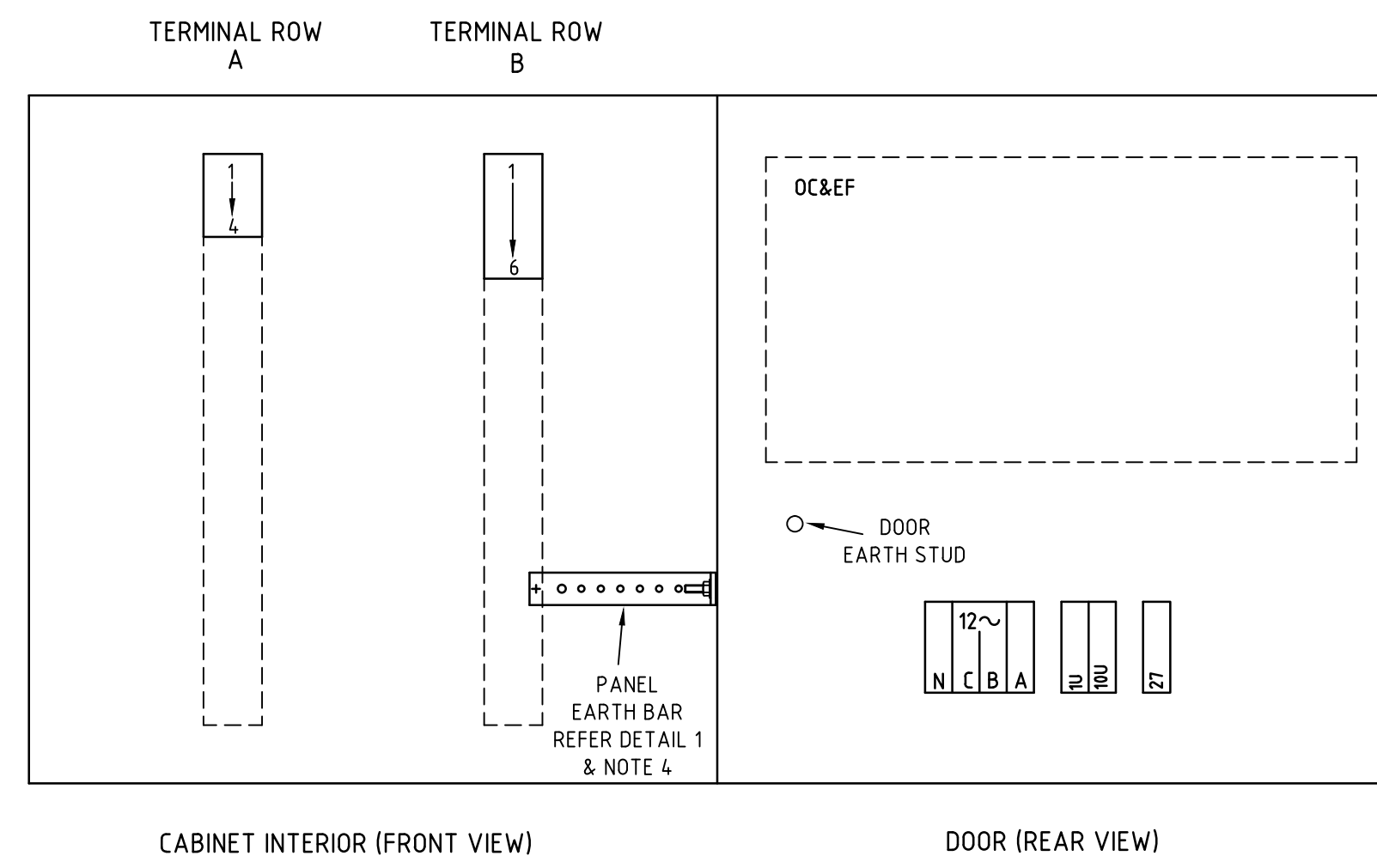
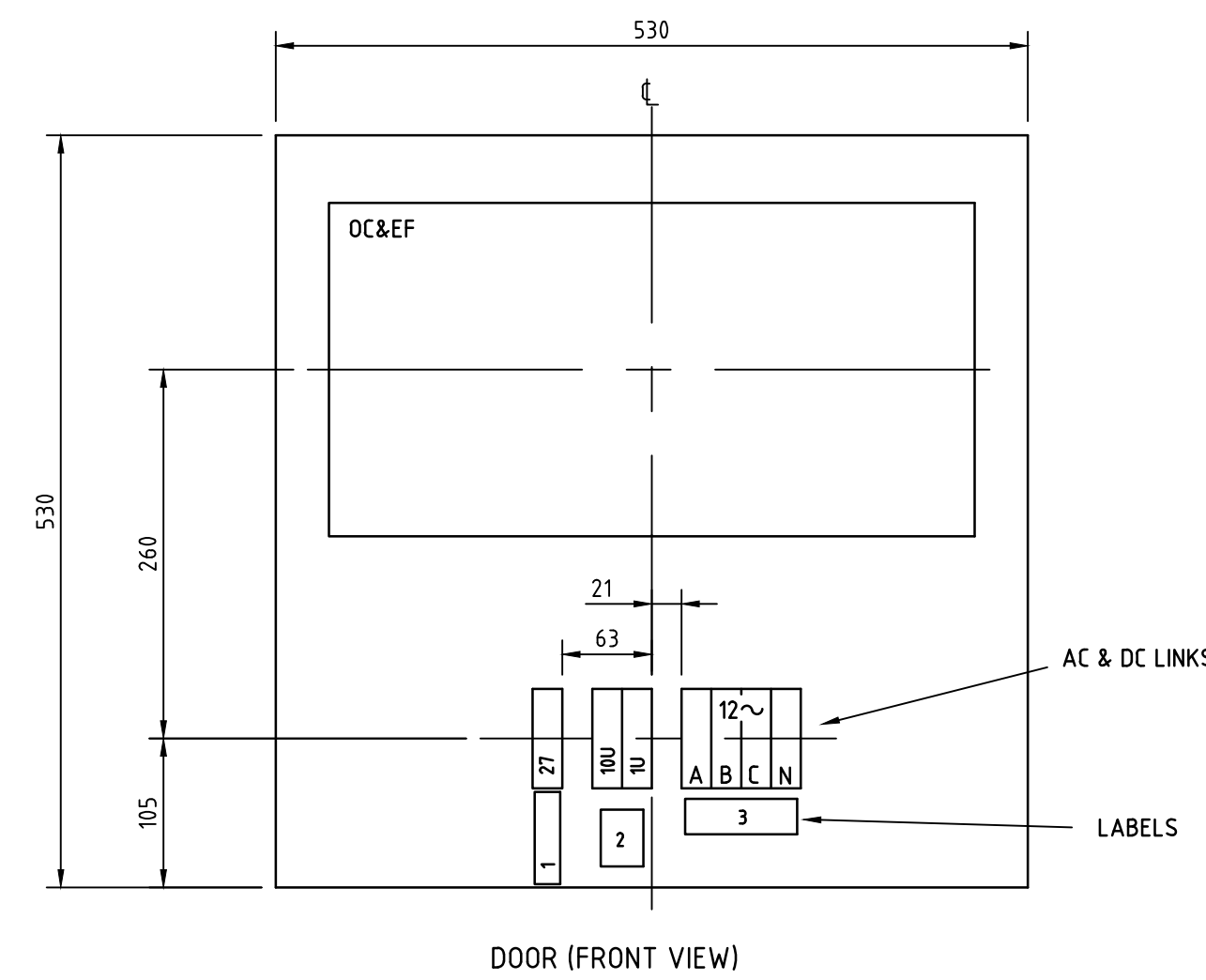


WIRING DIAGRAM

CABLE CONNECTIONS	TERMINALS	DC LINKS	LOOPING	AC LINKS	TRIP INDICATOR	OVERCURRENT & EARTH FAULT RELAY	TERMINALS	CABLE CONNECTIONS
-------------------	-----------	----------	---------	----------	----------------	---------------------------------	-----------	-------------------



DRILLING DETAILS
REFER NOTE 7
SCALE 15

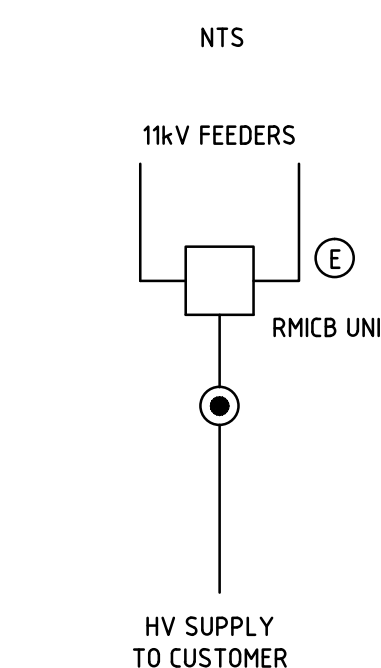


DETAIL 1
CABINET INTERIOR (PLAN VIEW)
EARTH BAR LOCATION
SCALE 15

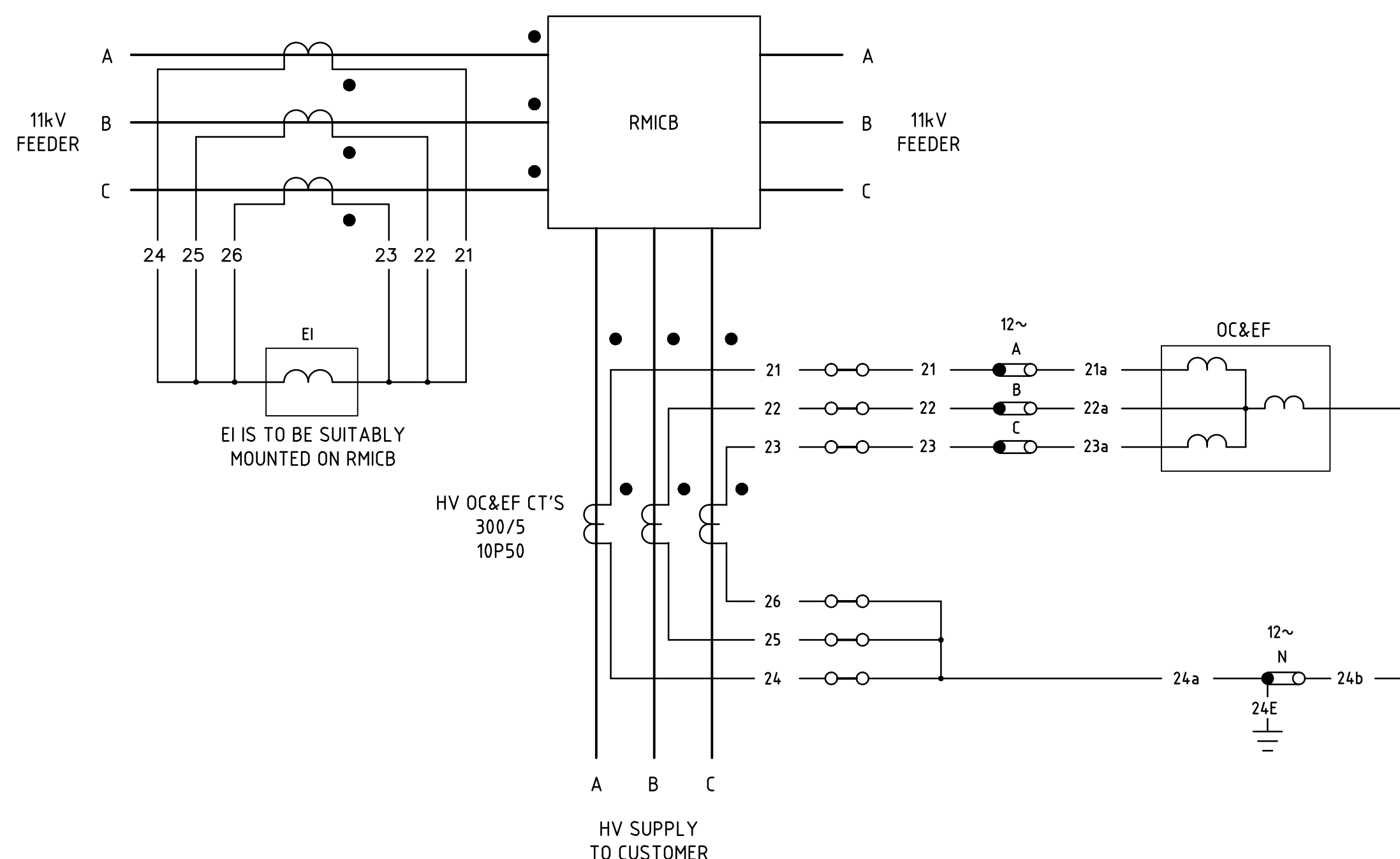
NOTES

- THIS DRAWING SHOWS THE PROTECTION SCHEMATICS, PANEL & WIRING TO BE USED KIOSK & CHAMBER TYPE HVC SUBSTATIONS WHICH HAVE AN RMICB HV SWITCH. THIS DRAWING SHOULD BE READ IN CONJUNCTION WITH NETWORK STANDARDS AND THE SUBSTATION DESIGN INFORMATION PACKAGE.
- ALL PANEL WIRING IS TO BE 7/0.67, 0.6kV V75 GRADE WITH PVC INSULATION. ALL INSULATION IS TO BE GREY COLOURED EXCEPT FOR EARTH WIRES WHICH ARE TO BE GREEN/YELLOW.
- A DOT ON A LINK () INDICATES BOTTOM TERMINAL.
- A 25mm x 4mm HDHC COPPER EARTH BAR IS TO BE MADE AND BOLTED TO THE CABINET EARTH STUD AND THE TERMINAL ROW B MOUNTING CHANNEL AS SHOWN IN DETAIL 1. THE EARTH BAR IS TO BE DRILLED TO ACCOMMODATE INDIVIDUAL CONNECTIONS FROM THE PANEL DOOR, LINKS, RELAY CASES AND THE 6mm CABLE FROM THE SUBSTATION EARTH BAR. CONNECTIONS ARE TO BE EVENLY SPACED SPACED ALONG LENGTH OF EARTH BAR.
- EARTH CONNECTIONS DESIGNATED ARE TO BE CONNECTED INDIVIDUALLY TO THE EARTH BAR.
- FOR LOOM METHOD OF WIRING REFER TO DRAWING A1-52474.
- THIS WALL MOUNTED PANEL IS TO BE CONSTRUCTED IN ACCORDANCE WITH MARK 2 OF DWG A2-28632.
- LABELS ARE TO BE MADE AND POSITIONED AS SHOWN ON DRAWING B1-178241. DRILLING FOR RELAYS AND LINKS ARE SHOWN ON DRAWINGS B1-178241 AND A2-191086.
- ON THE WIRING DIAGRAM TERMINALS ARE NOMINATED AS TERMINAL ROW-TERMINAL NUMBER, eg TB-4 MEANS THE 4th TERMINAL ON TERMINAL ROW B.

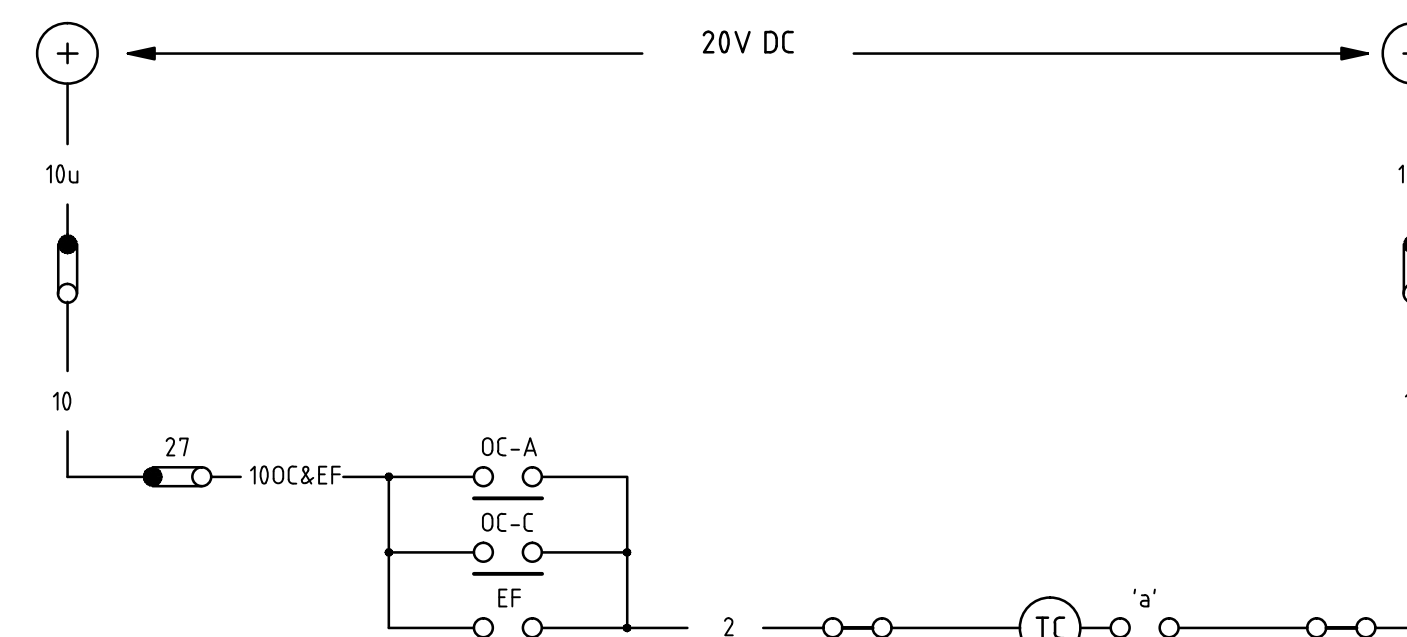
LINE DIAGRAM



AC SCHEMATIC



DC SCHEMATIC

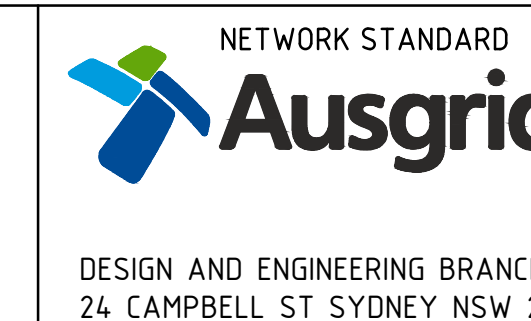


REFERENCE DRAWINGS	
DISTRIBUTION SUBSTATIONS LABELS & MOULDED LINK DETAILS	B1-178241
DISTRIBUTION SUBSTATIONS PROTECTION RELAY DRILLING DETAILS	A2-191086
LOOM METHOD OF PANEL WIRING	A1-52474
WALL MOUNTED RELAY PANEL STEELWORK	A1-28632
UTILUX H3820 RAIL MOUNTED TERMINALS	A3-118547

LABEL DETAILS						
LABEL	LABEL SIZE	COLOUR	TEXT LINE	TEXT HEIGHT	ENGRAVING	No OFF
1	C2	GRAVOPLY No.200 WHITE/BLACK	LINE 1 LINE 2 LINE 3	2.5 2.5 2.5	OVERCURRENT & EARTH FAULT BATTERY LINK	1
2	C3	GRAVOPLY No.248 RED/WHITE	LINE 1 LINE 2 LINE 3 LINE 4	4.0 2.5 2.5 2.5	10 1 20V DC BUS MASTER BATTERY LINKS	1
3	C1	GRAVOPLY No.259 PINE GREEN/WHITE	LINE 1 LINE 2 LINE 3 LINE 4	4.0 2.5 2.5 2.5	A B C N OVERCURRENT & EARTH FAULT CT TEST LINKS	1

LEGEND		
SYMBOL	DESCRIPTION	TYPE
	OVERCURRENT & EARTH FAULT RELAY	CDG 33
	EARTH FAULT INDICATOR	EFI3
	TERMINALS TYPE UTILUX TYPE H3820 WITH UTILUX H2333 MOUNTING CHANNEL	
	TRIP COIL	
	AUXILIARY SWITCH (Open when CB Open)	
	11k-V RING MAIN ISOLATOR CIRCUIT BREAKER	

CAD DRAWING
DO NOT MANUALLY AMEND
A REVISIONS
1. DRAWING UPGRADED TO NETWORK STANDARD SUITABILITY.
PN 20876/9/2
P. JARVIS 30.12.08
CHECKED: P. EASTON
APPROVED: M. THOMSON
2. NEW AUSGRID BORDER & LOGO ADDED.
RLAALAA 24-09-2013
APPROVED T.LAMPARD



SCALE	AS SHOWN
DESIGNED	-
DRAWN	P. JARVIS
CHECKED	P. EASTON
APPROVED	P. HALLEN
DATE	13.06
PRJTRK No.	-
PROJECT NUMBER	103/59/1/2

RMICB SUBSTATIONS
HIGH VOLTAGE CUSTOMER SUBSTATIONS
WALL MOUNTED PROTECTION PANEL
SCHEMATICS, DRILLING AND WIRING

DRAWING No 173997 SHEET 1 AMD 2 SIZE B1