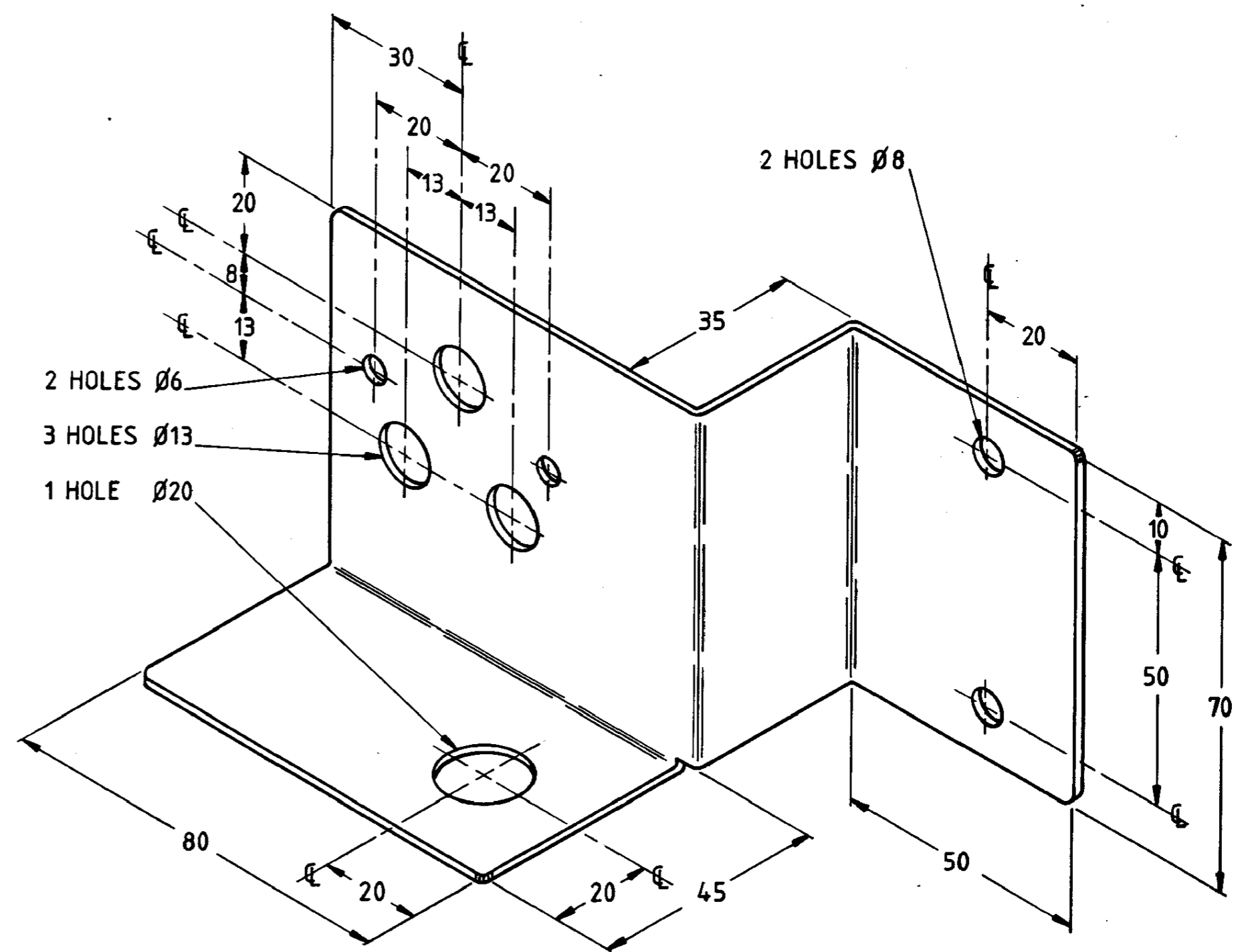


**ITEM 1**

MATERIAL 2mm. THK. MS. SHEET.  
STOCKLINE N° SX 0781



**ITEM 2**

MATERIAL 2mm. THK. MS. SHEET.  
STOCKLINE N° SX 0780

**REFERENCE DRAWINGS**

EARTH FAULT INDICATOR TYPE EF13 O/LINE DRILL. & CONN. DIAG. A3-113884

**NOTES**

1. REMOVE ALL SHARP EDGES.
2. BRACKETS TO BE THOROUGHLY CLEANED THEN GIVEN ONE COAT OF ZINC CHROMATE RED OXIDE PRIMER FOLLOWED BY TWO COATS OF TRANSFORMER GREY TO COLOUR REF. N°632.

CAD DRAWING  
DO NOT MANUALLY AMEND  
AMENDMENTS

1. REDRAWN TO SHOW L & R HAND.  
20 DIA HOLE RELOCATED.  
RVG 7.7.87  
PROD No 22852  
CHECKED: CJS

2. NEW AUSGRID BORDER & LOGO ADDED.  
18.09.2013  
R.LAALAA  
APPROVED T.LAMPARD

NETWORK STANDARD

DESIGN SERVICES  
24 CAMPBELL ST SYDNEY NSW 2000

SCALE	1:1
DESIGNED	-
DRAWN	DC & RVG
CHECKED	CJS
APPROVED	RM
DATE	-
PROJECT NUMBER	22852
PROJTRAK NUMBER	-

HV METAL CLAD FUSE  
SWITCHES & RMI'S EARTH FAULT  
INDICATOR TYPE EFI 3  
MOUNTING BRACKET DETAILS

SIZE	DRAWING No	SHEET	AMD
A2	53567	-	2