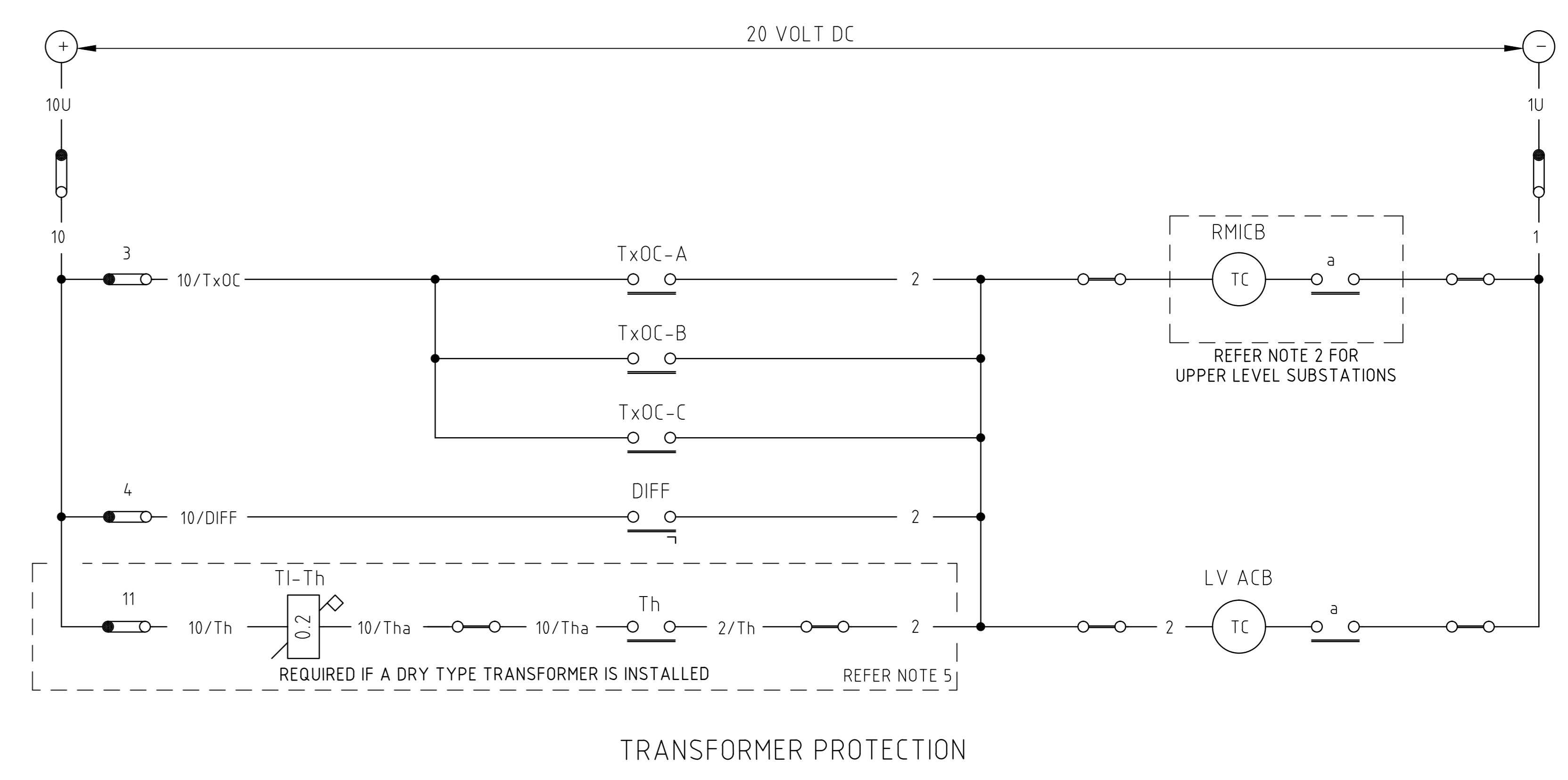
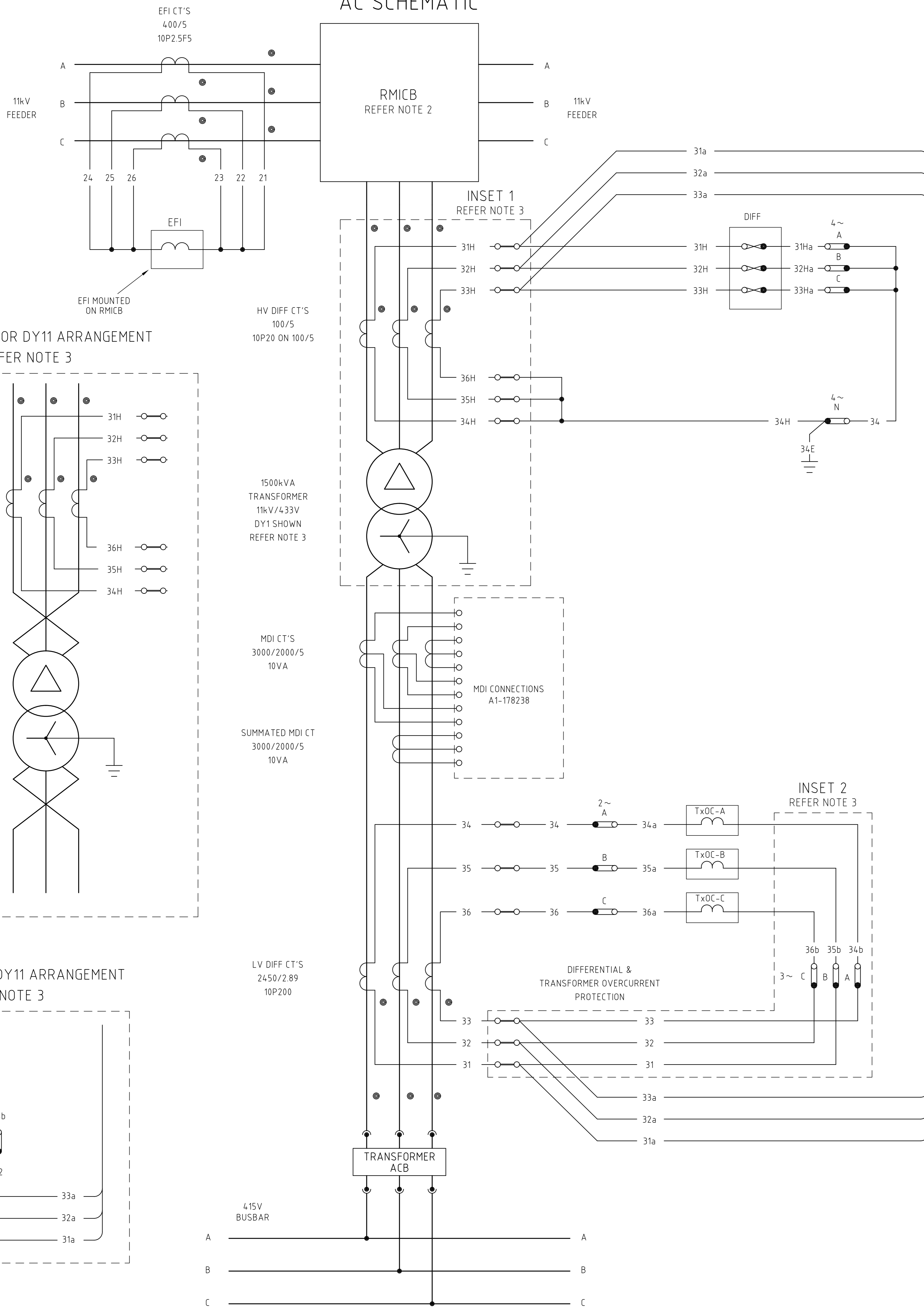


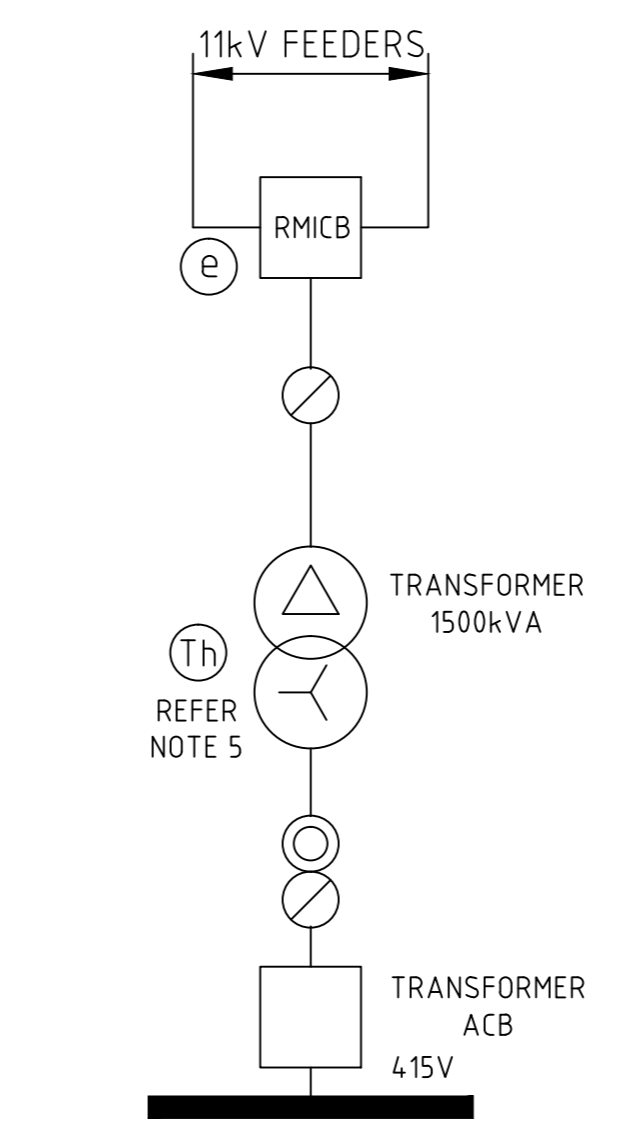
AC SCHEMATIC

DC SCHEMATIC



NOTES:

- THIS DRAWING SHOULD BE READ IN CONJUNCTION WITH NETWORK STANDARDS AND THE SUBSTATION DESIGN INFORMATION PACKAGE. SHOWN ARE THE PROTECTION SCHEMATICS WHICH ARE TO BE USED IN:
 - RMICB SINGLE TRANSFORMER KIOSK TYPE SUBSTATIONS.
 - RMICB SINGLE TRANSFORMER CHAMBER TYPE SUBSTATIONS WHERE THERE MAY BE NO PROVISION FOR EXPANSION TO A MULTI TRANSFORMER ARRANGEMENT.
- FOR AN UPPER LEVEL SUBSTATION THE RMICB IS LOCATED IN A CONTROL POINT WHICH IS REMOTE FROM THE SUBSTATION. FOR AN UPPER LEVEL SUBSTATION REFER TO THE CABLING DRAWING (178231) FOR FURTHER INFORMATION ON CONNECTING THE RMICB TRIP COIL.
- THE AC SCHEMATIC SHOWS THE STANDARD AUSGRID DY1 TRANSFORMER CONNECTED IN A DY1 ARRANGEMENT. FOR A DY1 TRANSFORMER CONNECTED IN A DY11 ARRANGEMENT, USE INSETS 1 & 2.
- A DOT ON A LINK (•) INDICATES BOTTOM TERMINAL.
- WHEN A DRY TYPE TRANSFORMER IS USED, THE THERMAL RELAY (Th) AND A TRIP INDICATOR ARE TO BE CONNECTED. THE THERMAL RELAY IS LOCATED & SUPPLIED ON THE TRANSFORMER BY THE TRANSFORMER MANUFACTURER. THE TRIP INDICATOR IS LOCATED ON THE TRANSFORMER PROTECTION PANEL & IS SUPPLIED BY AUSGRID.



LEGEND		
SYMBOL	DESCRIPTION	TYPE
DIFF	DIFFERENTIAL RELAY	K3M
TxOC-A	OVERCURRENT RELAY	CO-9
TxOC-B	OVERCURRENT RELAY	CO-9
TxOC-C	OVERCURRENT RELAY	CO-9
TI-Th	THERMAL TRIP INDICATOR	TI3
EFI	EARTH FAULT INDICATOR	EF13
RMICB	11kV RING MAIN ISOLATOR CIRCUIT BREAKER	
TRANSFORMER ACB	415V TRANSFORMER AIR CIRCUIT BREAKER	
Th	THERMAL RELAY ON DRY TYPE TRANSFORMER (REFER NOTE 5)	
TC	TRIP COIL	
a	AUXILIARY SWITCH (Open when CB Open)	

REFERENCE DRAWINGS	
RMICB SUBSTATIONS CABLING & CABLE SCHEDULE	178231
RMICB SINGLE Tx SUBSTATIONS WALL MOUNTED TRANSFORMER PROTECTION PANEL LAYOUT & WIRING	237230Sh02
E TYPE LV BOARD WITH MERLIN GERIN MASTERPAC TP AIR CIRCUIT BREAKERS EXTERNAL CONNECTIONS	178237
E TYPE LV BOARD SUMMATED MDI CONNECTIONS DIAGRAM	178238

NETWORK STANDARD

570 George Street
SYDNEY NSW 2000

SCALE	AS SHOWN
DESIGNED	-
DRAWN	L.MARTINUZZI
CHECKED	C.MURPHY
APPROVED	C.MURPHY
DATE	20/03/2015
PRJTRK No.	-
PROJECT NUMBER	OPEX-1831-1-3-1

RMICB SINGLE TRANSFORMER SUBSTATIONS AC AND DC SCHEMATICS

CAD DRAWING
DO NOT MANUALLY AMEND
AMENDMENTS